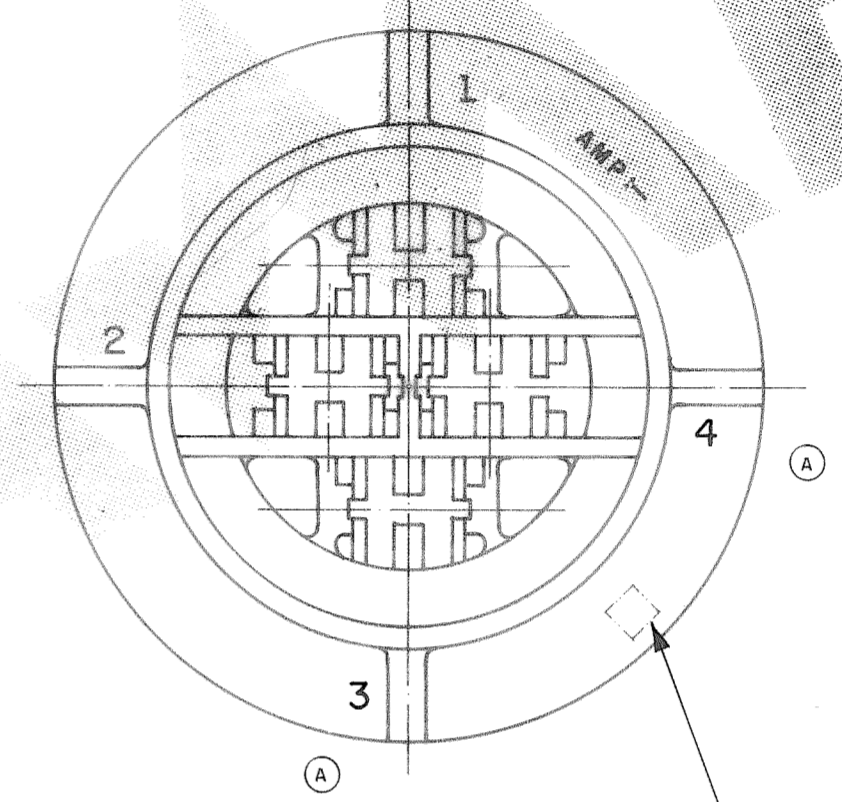
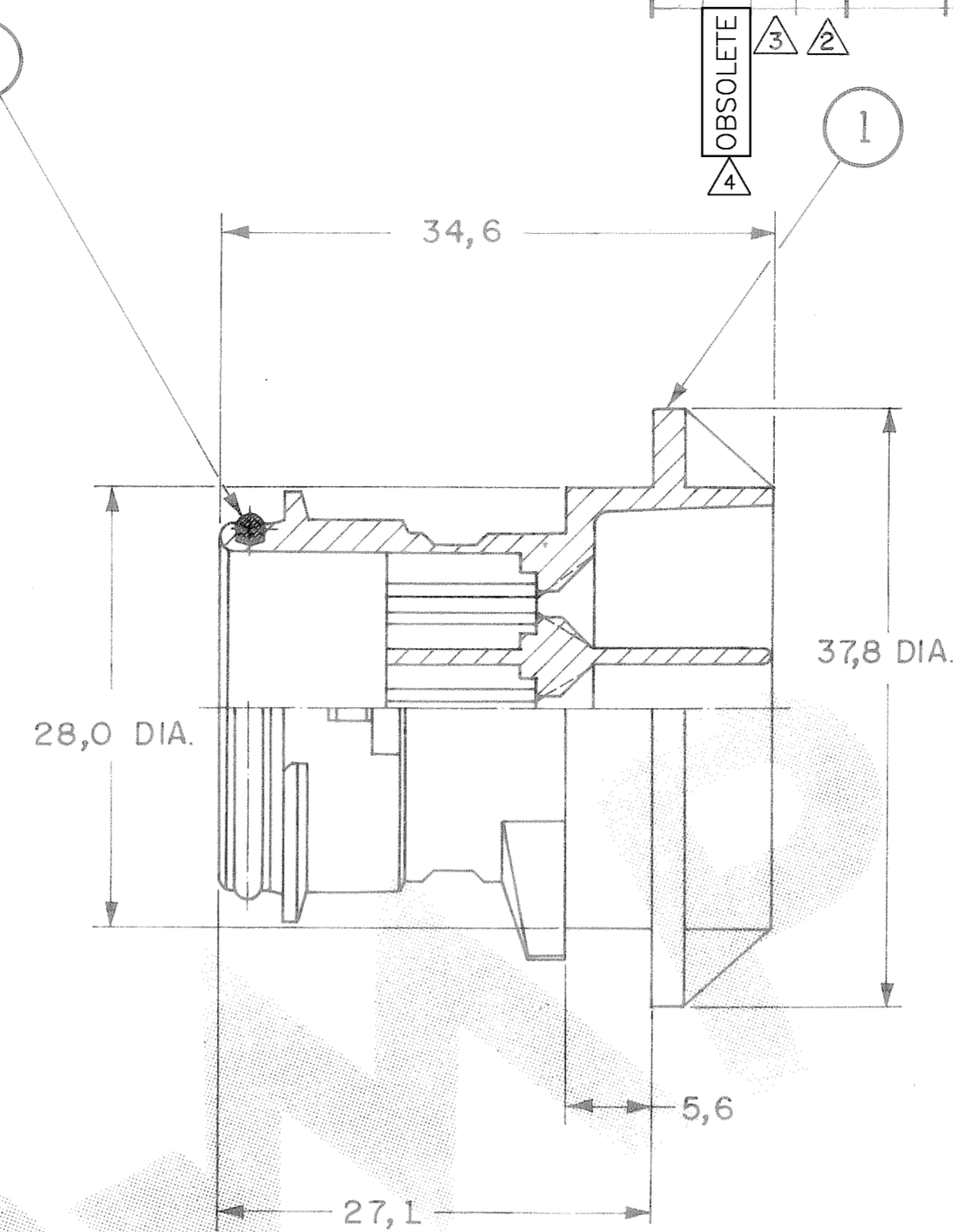
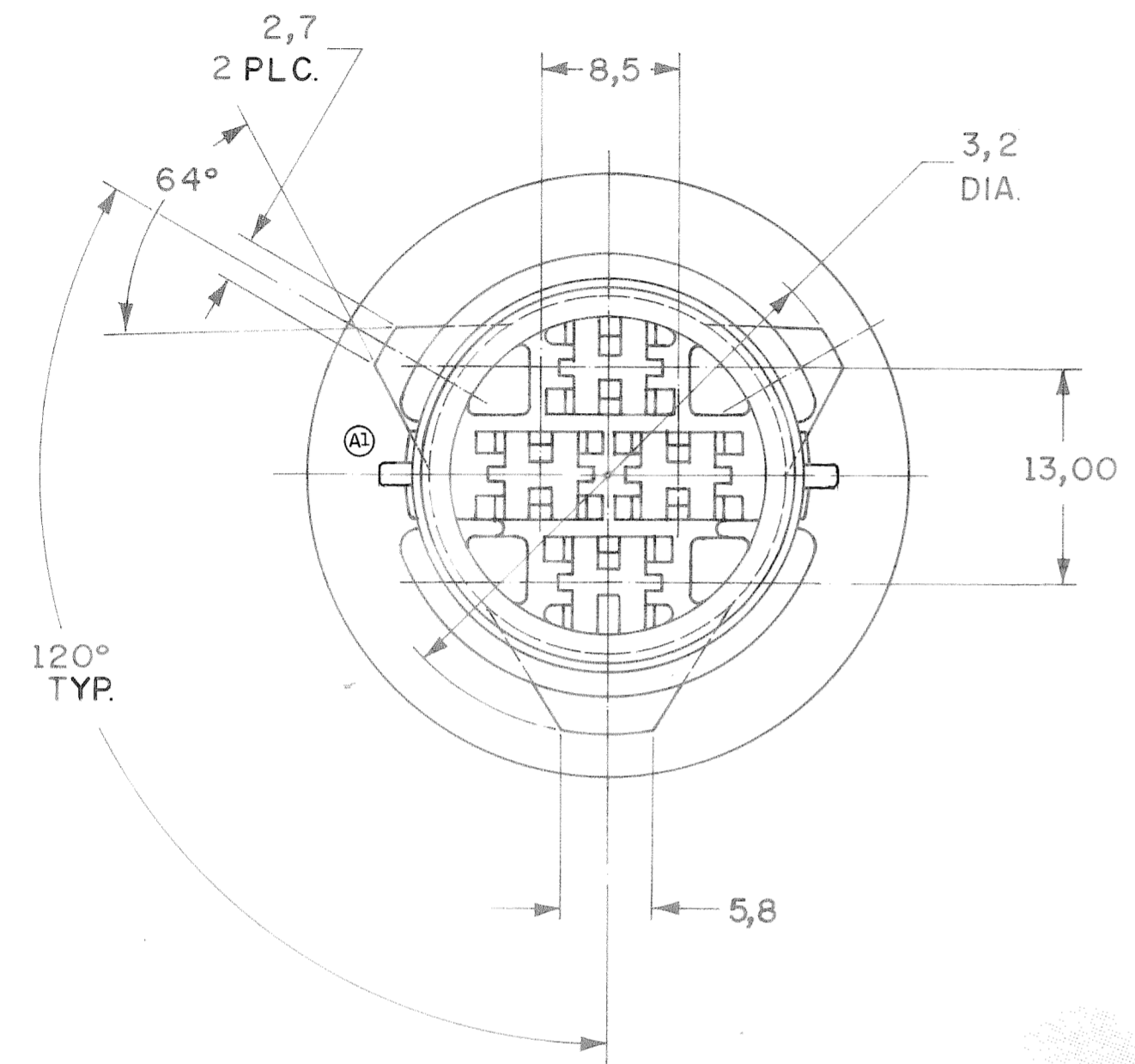


C 444022

444022		DO NOT SCALE		METRIC		3rd ANGLE PROJECTION	
-2 -1		DIMENSIONS IN mm.					
REQ. PER ASSY	ITEM	DESCRIPTION	MATERIAL	FINISH			
1	1	HSG., 4 POSN., .250 FASTIN-ON TAB	POLYAMIDE 6-6	CINZA			
1	2	ORING					



IDENTIFICAÇÃO DE CAVIDADE  
CAVITY IDENTIFICATION

1 - OS ITENS 1 E 2 SÃO FORNECIDOS COMO MOSTRADO.  
-ITENS 1 AND 2 ARE SUPPLIED SHOWN.

② - VER DESENHO RESTRITO DE CLIENTE 444022-1  
-SEE RESTRICTED CUSTOMER DRAWING.

③ - VER DESENHO RESTRITO DE CLIENTE 444022-2  
-SEE RESTRICTED CUSTOMER DRAWING.

④ - OBSOLETE PARTS: OBSOLETE CIS STREAMLINING PER D.RENAUD/D.SINISI

OTHER TREATMENT		FINISH		MATERIAL		PART NUMBER	
CUSTOMER DWG for REFERENCE ONLY				THIS DRAWING IS UNPUBLISHED RELEASED FOR PUBLICATION			
A2 REVISED PER ECO-09-026346				C COPYRIGHT 19 BY AMP DO BRASIL LTDA S.P. ALL INTERNATIONAL RIGHTS RESERVED. AMP PRODUCTS MAY BE COVERED BY U.S. AND FOREIGN PATENTS AND/OR PATENTS PENDING.			
A1 REVISED BY EC-227-97				TOLERANCES UNLESS OTHERWISE STATED			
A INVERTIDO NO CIRCUITO				INS DIA RANGE WIRE RANGE SCALE			
O ERA P91-29169/171				DEC ±0,3 ANGLES ±1°			
ISS REVISION RECORD				DR M.Briz 25-Oct-91			
				AMP do BRASIL LTDA. São Paulo, Brasil			
				DESCRIPTION HSG. ASSY, 4 POSN., .250 FASTIN-ON TAB.			
				A2 DWG NO C 444022 SHEET 1 of 1			