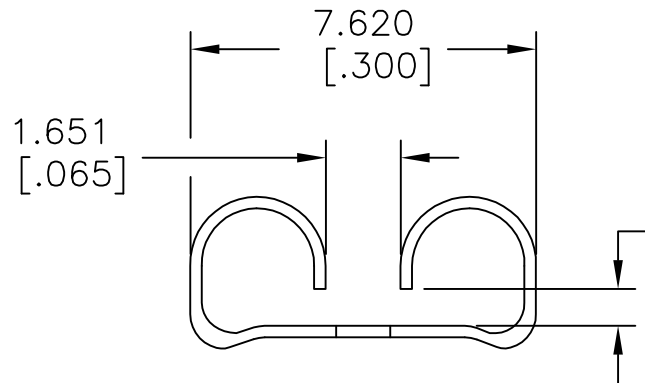
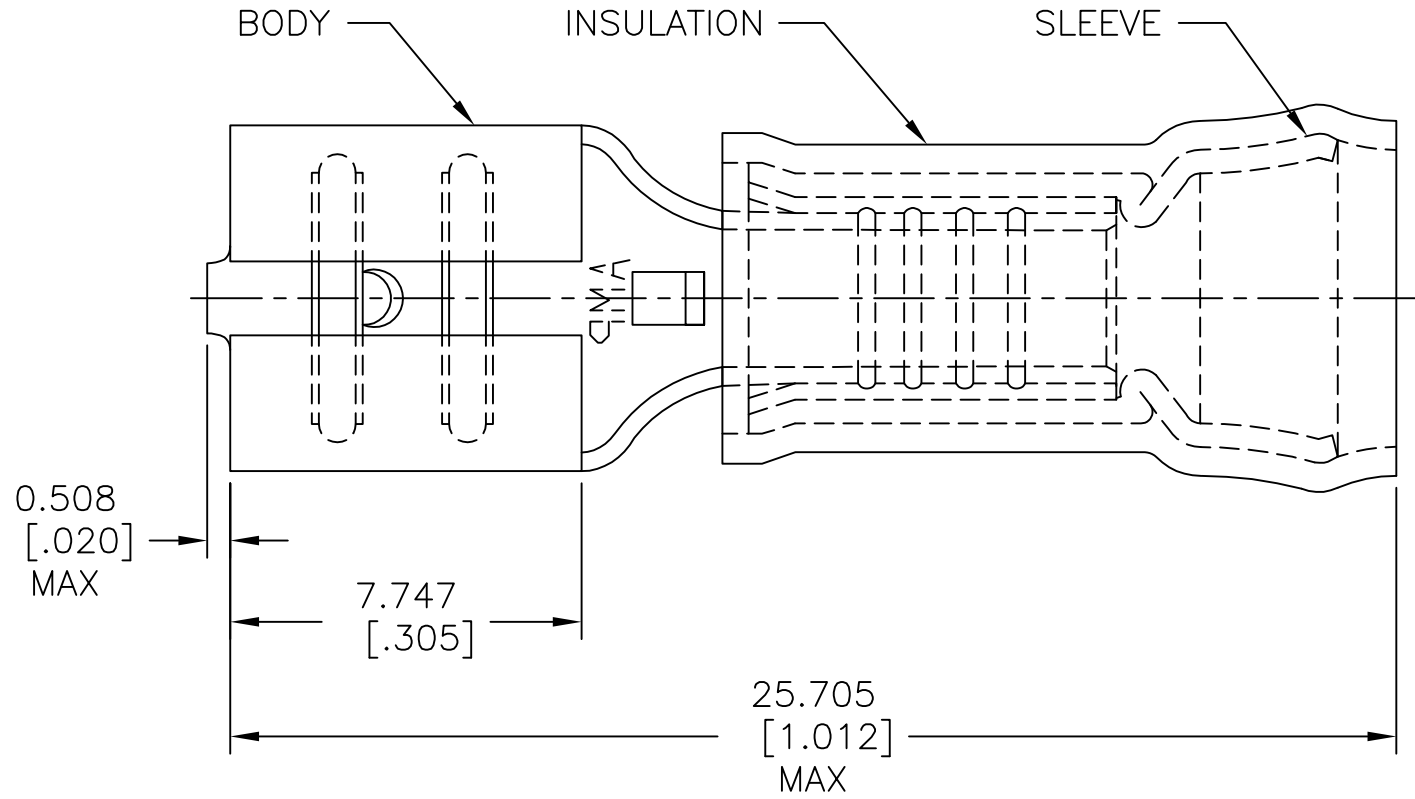


P	LTR	DESCRIPTION	DATE	DWN	APVD
	Z1	REVISED PER ECO-11-004820	11MAR11	RK	HMR
	Z2	REVISED PER ECO-17-018182	12DEC2017	RS	DR



MATES WITH
0.813±0.025
[.032±.001]
MALE TAB

- 1 FOR $\phi 6.350[\phi.250]$ MAX INSULATION.
- 2 MAX WIRE LIMITED TO $3.278\text{mm}^2 [6,470]$ CMA.

BRASS MIL-C-50	100	LOOSE PIECE,BOX	8-42844-1
BRASS MIL-C-50	2500	ON TAPE, REEL	42844-3
PHOS BRONZE QQ-B-750	500	LOOSE PIECE	42844-2
BRASS MIL-C-50	500	LOOSE PIECE	42844-1
BODY MATERIAL	QTY	PACKAGE TYPE	PART NO

AMP INCORPORATED
CUSTOMER SERVICE SYSTEM

MAX RECOMMENDED OPERATING TEMPERATURE:

THIS DRAWING IS A CONTROLLED DOCUMENT.

DWN L OLMEDA 26JUN95



FOR ADDITIONAL
PRODUCT INFORMATION OR
COPIES OF DRAWINGS
AND TECHNICAL DOCUMENTS

PRODUCT INFORMATION CENTER
1-800-522-6752

VOLTAGE RATING:

DIMENSIONS:
mm [INCHES]

TOLERANCES UNLESS
OTHERWISE SPECIFIED:

CHK M ELLIS 26JUN95

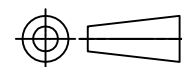
APVD B BARE 26JUN95

NAME
RECEPTACLE, 250 SERIES,
FASTON™, PIDG™,
WIRE SIZE: 14-12 AWG

FOR APPLICATION
TOOLING INFORMATION

TOOLING ASSISTANCE CENTER
1-800-722-1111

CIRCULAR MIL AREA:



0 PLC ± -
1 PLC ± -
2 PLC ± -
3 PLC ± 0.127[.005]
4 PLC ± -
ANGLES ± -

APPLICATION SPEC

SIZE CAGE CODE DRAWING NO RESTRICTED TO
A3 00779 C-42844 -

FOR ORDER ENTRY
1-800-526-5142

MATERIAL
BODY,SEE TABLE
INSUL,NYLON,COLOR,GREEN

FINISH
BODY,TIN PLATE
PER ASTM B545

WEIGHT -

CUSTOMER DRAWING

SCALE 6:1 SHEET 1 OF 1 REV Z2