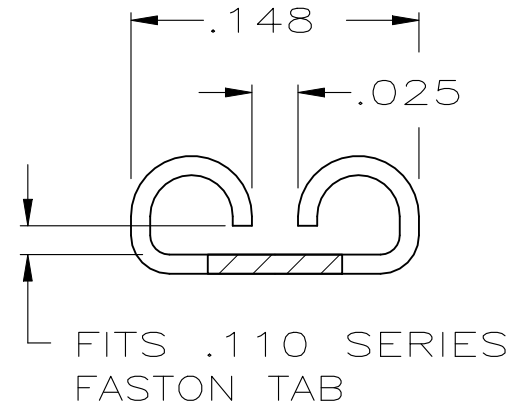
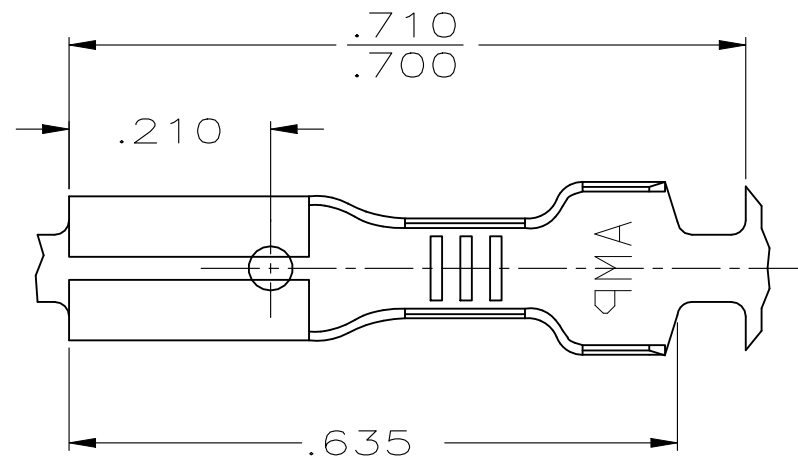
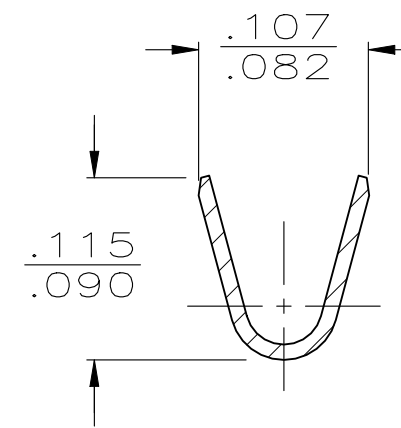


REVISIONS					
P	LTR	DESCRIPTION	DATE	DWN	APVD
	CU	REVISED PER ECR-23-171359	16MAY2023	DB	DH

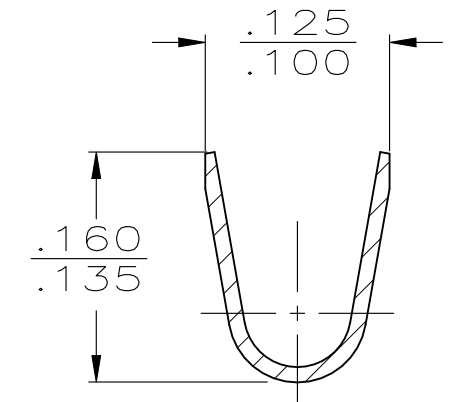


VIEW A-A

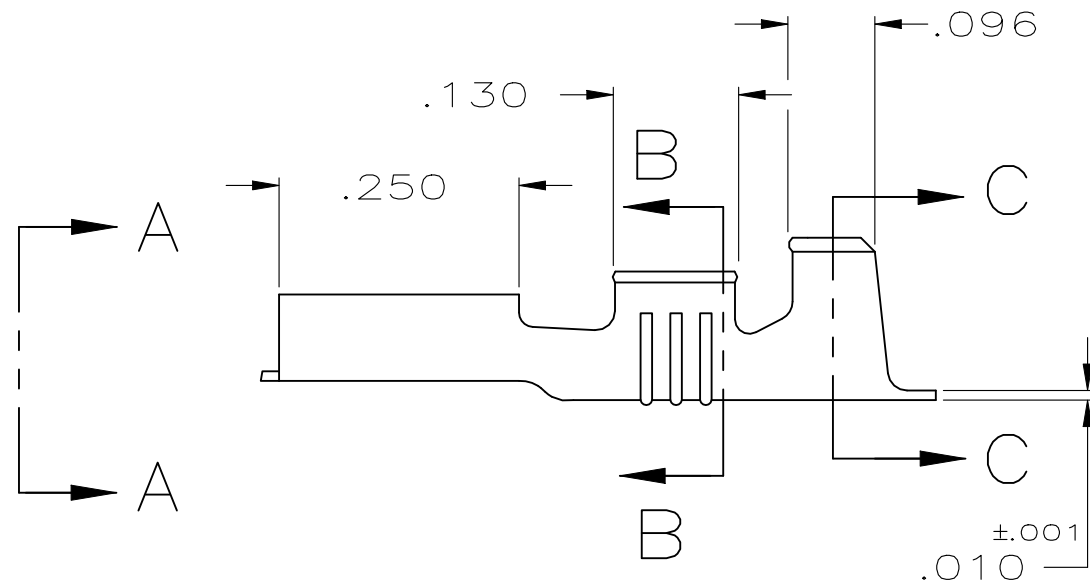
- 1 CONTINUOUS STRIP ON REELS.
- △2 POST-PLATE WHISKER-MITIGATED LEAD-FREE, MATTE TIN OVER NICKEL
- △3 POST-PLATE LEAD-FREE, MATTE TIN



SECTION B-B



SECTION C-C



	△3	BRASS	.060-.100	22-18	.020	42068-7
OBSOLETE	SILVER	#4H BRASS	.060-.100	22-18	.020	<del>42068-6</del>
OBSOLETE	GOLD	#4H BRASS	.060-.100	22-18	.020	<del>42068-5</del>
OBSOLETE	TIN	#4H PHOS BRZ	.060-.100	22-18	.020	<del>42068-4</del>
OBSOLETE	-	#4H PHOS BRZ	.060-.100	22-18	.020	<del>42068-3</del>
OBSOLETE	△2	BRASS	.060-.100	22-18	.020	<del>42068-2</del>
	PRE-TIN	BRASS	.060-.100	22-18	.020	42068-1
	-	BRASS	.060-.100	22-18	.020	42068-0
	FINISH	MATERIAL	INSUL RANGE	WIRE SIZE	TAB <sup>±.001</sup> THK	PART NO

THIS DRAWING IS A CONTROLLED DOCUMENT.		DWN	6/23/87															
DIMENSIONS: INCHES		CHK																
TOLERANCES UNLESS OTHERWISE SPECIFIED:		APVD																
<table border="1"> <tr> <td>0 PLC</td> <td>± -</td> </tr> <tr> <td>1 PLC</td> <td>± -</td> </tr> <tr> <td>2 PLC</td> <td>± -</td> </tr> <tr> <td>3 PLC</td> <td>± .015</td> </tr> <tr> <td>4 PLC</td> <td>± -</td> </tr> <tr> <td>ANGLES</td> <td>± -</td> </tr> </table>		0 PLC	± -	1 PLC	± -	2 PLC	± -	3 PLC	± .015	4 PLC	± -	ANGLES	± -	PRODUCT SPEC	NAME			
0 PLC	± -																	
1 PLC	± -																	
2 PLC	± -																	
3 PLC	± .015																	
4 PLC	± -																	
ANGLES	± -																	
MATERIAL	FINISH	APPLICATION SPEC	RECEPTACLE, FASTON <sup>TM</sup> , .110 SERIES															
SEE TABLE	SEE TABLE	WEIGHT	0.000000	SIZE	A3	CAGE CODE	00779	DRAWING NO	C-42068	RESTRICTED TO	-							
CUSTOMER DRAWING				SCALE	NTS	SHEET	1 OF 1	REV	CU									