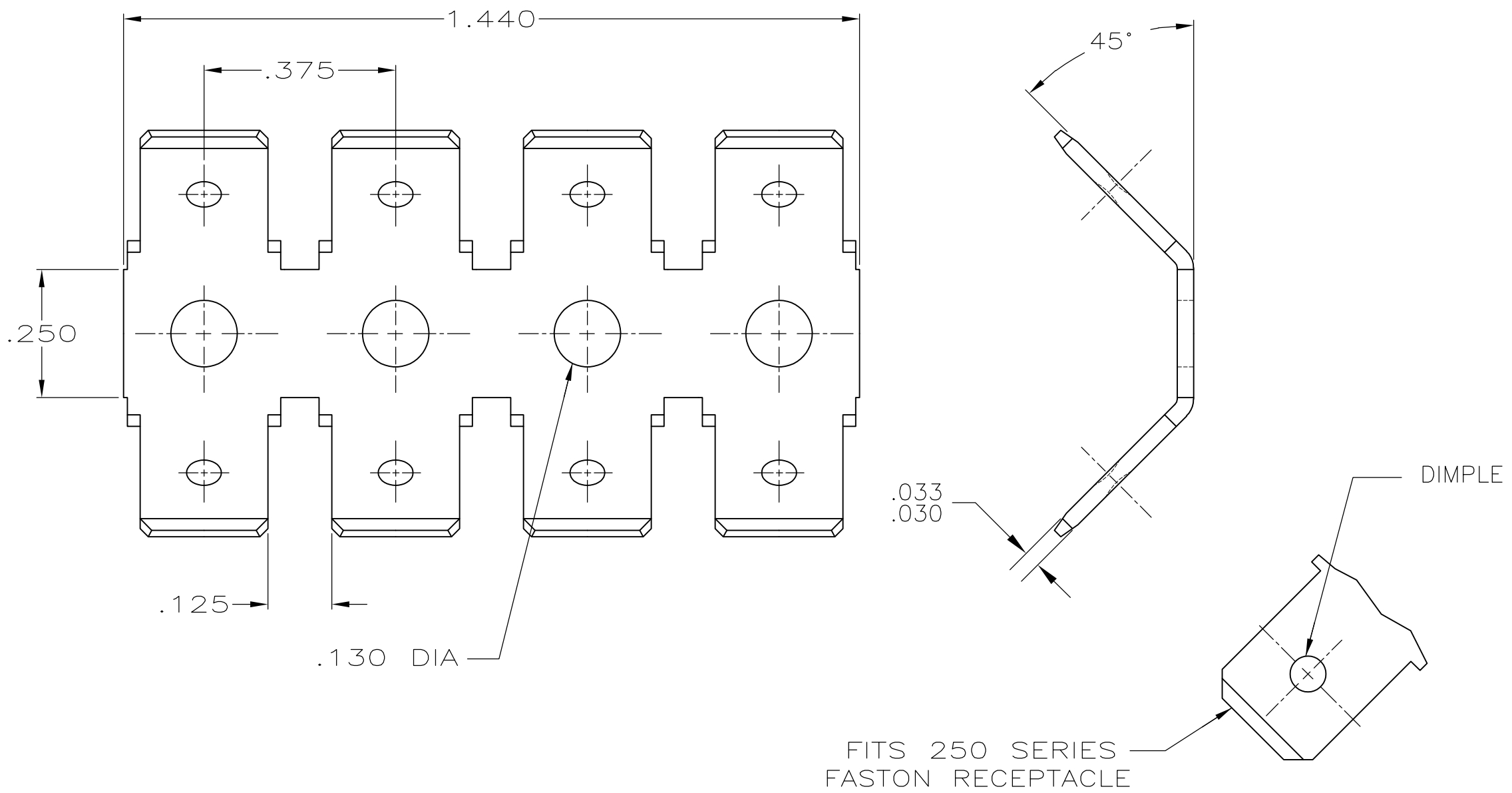


THIS DRAWING IS UNPUBLISHED. RELEASED FOR PUBLICATION
 © COPYRIGHT - By - ALL RIGHTS RESERVED.

LOC	DIST	REVISIONS					
AF	50	P	LTR	DESCRIPTION	DATE	DWN	APVD
			Y	REVISED PER ECR-13-011489	09DEC2013	KH	PD

1 PARTS SUPPLIED IN PAIRS OF 4.



FITS 250 SERIES FASTON RECEPTACLE

41484
 PART NO

THIS DRAWING IS A CONTROLLED DOCUMENT.		DWN	JR RUTH	4/28/89	 TE Connectivity NAME TAB, FASTON,™ .250 SERIES								
DIMENSIONS: INCHES		CHK	M FEHER	5/1/89									
TOLERANCES UNLESS OTHERWISE SPECIFIED:		APVD	C MEYERS	5/3/89									
0 PLC ± - 1 PLC ± - 2 PLC ± - 3 PLC ± .010 4 PLC ± - ANGLES ± -		PRODUCT SPEC		NAME									
MATERIAL	BRASS	FINISH	TIN	WEIGHT	-	SIZE	A3	CAGE CODE	00779	DRAWING NO	C-41484	RESTRICTED TO	-
CUSTOMER DRAWING						SCALE	4:1	SHEET	1 OF 1	REV	Y		