

**Hsg. Rec. Ass'y 2, 3, 4 and 6 Posn. Sensor Flat**

**1. SCOPE**

**a) CONTENT**

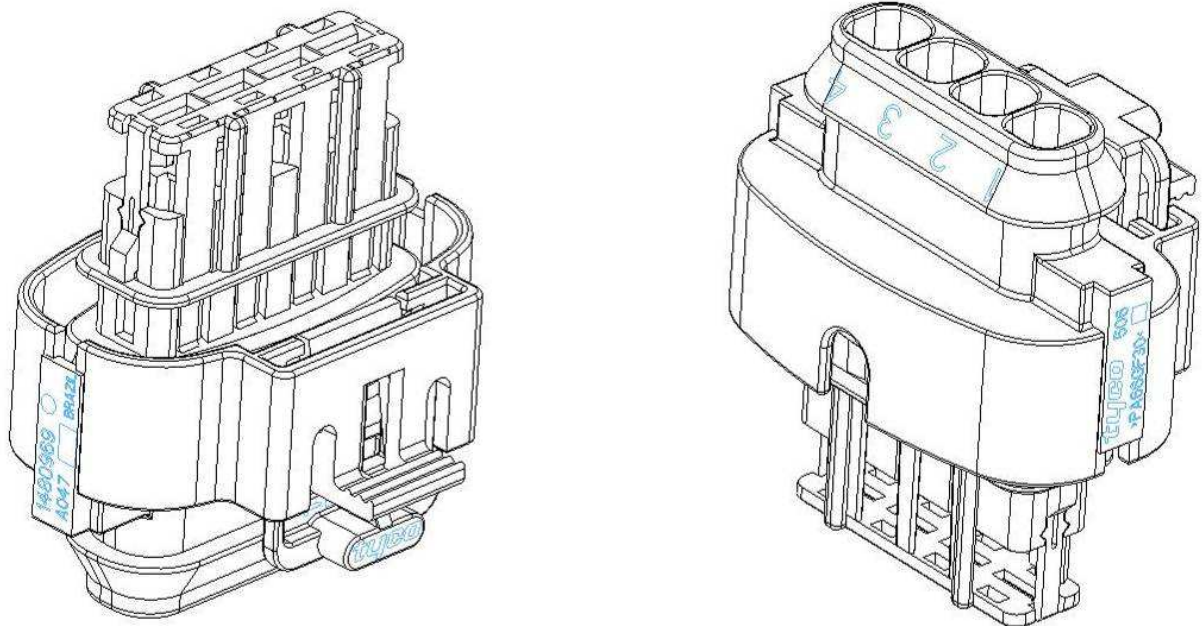
This Instruction Sheet is to provide useful information for correct assembly of the harness and correct assembly / disassembly of the connectors.

TE P/N	TRADE MARK DESCRIPTION
1599099	HOUSING ASS'Y 2 POSN. SENSOR FLAT, RCPT
1480965	HOUSING ASS'Y 3 POSN. SENSOR FLAT, RCPT
1480968	HOUSING ASS'Y 4 POSN. SENSOR FLAT, RCPT
1480971	HOUSING ASS'Y 6 POSN. SENSOR FLAT, RCPT

**TABLE 1**

**2. PACKAGING OF THE CONNECTORS**

Hsg. Rec. Ass'y 4 Posn. Sensor Flat (P/N 1480968) is shown on Figure 1. The connectors are supplied with a preassembled Secondary Lock. Connectors have mechanical polarizations to assure the proper mating between male and female housing. The connectors are supplied in a carton box in random order.



For illustration, it is being used the HSG ASSY 4 Pos, Sensor Flat, RCPT images. This specification can be used for all part numbers included in the table 01.

**HOUSING ASS'Y 4 POS. SENSOR FLAT, RCPT. PN 1480968  
(FIGURE 1)**

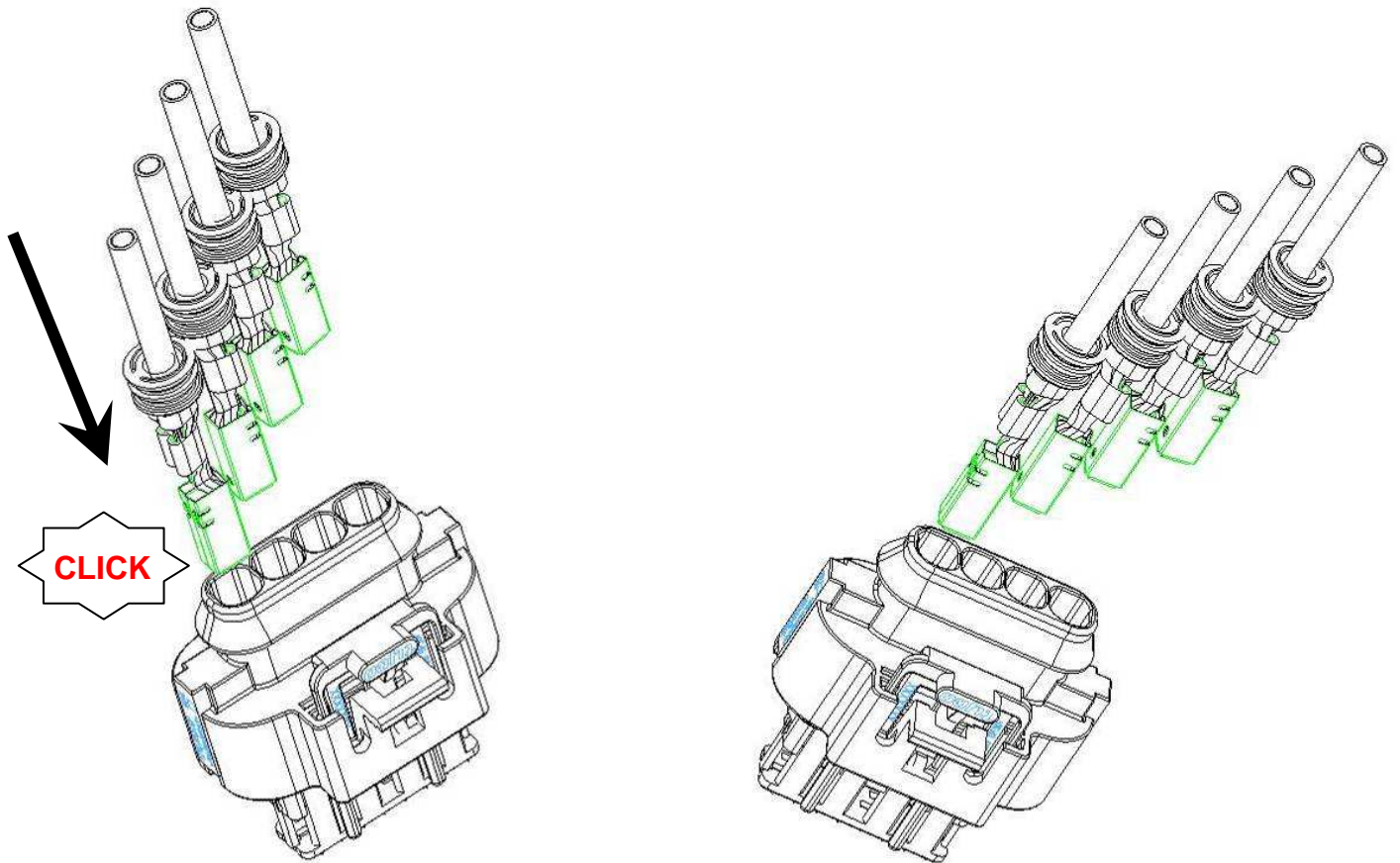
**3. CONTACTS AND SINGLE WIRE SEALS LOADING**

Insert the contacts into the housings cavities according to figure 2 until the lance on the metal contacts body is released. On table 2 below are indicated the different contacts that it can be used.

TE P/N	TRADE MARK DESCRIPTION	WIRE RANGE (FOR CONTACTS ONLY)
967541	2.8 mm SENSOR FLAT TERMINAL	0,35 – 0,50 mm <sup>2</sup>
967542		0,50 – 1,00 mm <sup>2</sup>
967543		1,50 – 2,50 mm <sup>2</sup>
828904	SINGLE WIRE SEAL	0,50 – 1,00 mm <sup>2</sup>
828905		1,50 – 2,50 mm <sup>2</sup>

**TABLE 2**

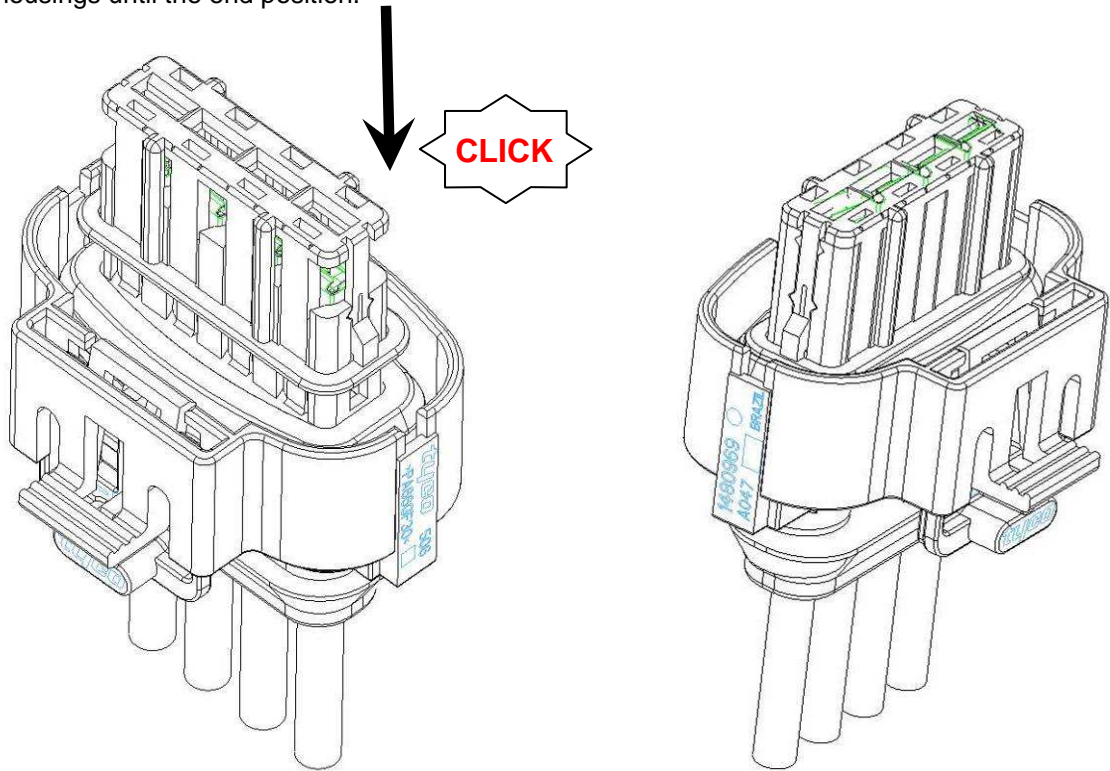
*(CONTACTS USED ON HSG ASS'Y 4 POSN. SENSOR FLAT , RCPT.)*



**FIGURE 2 - 1480968**

**4. SECONDARY LOCK CLOSING DEVICE**

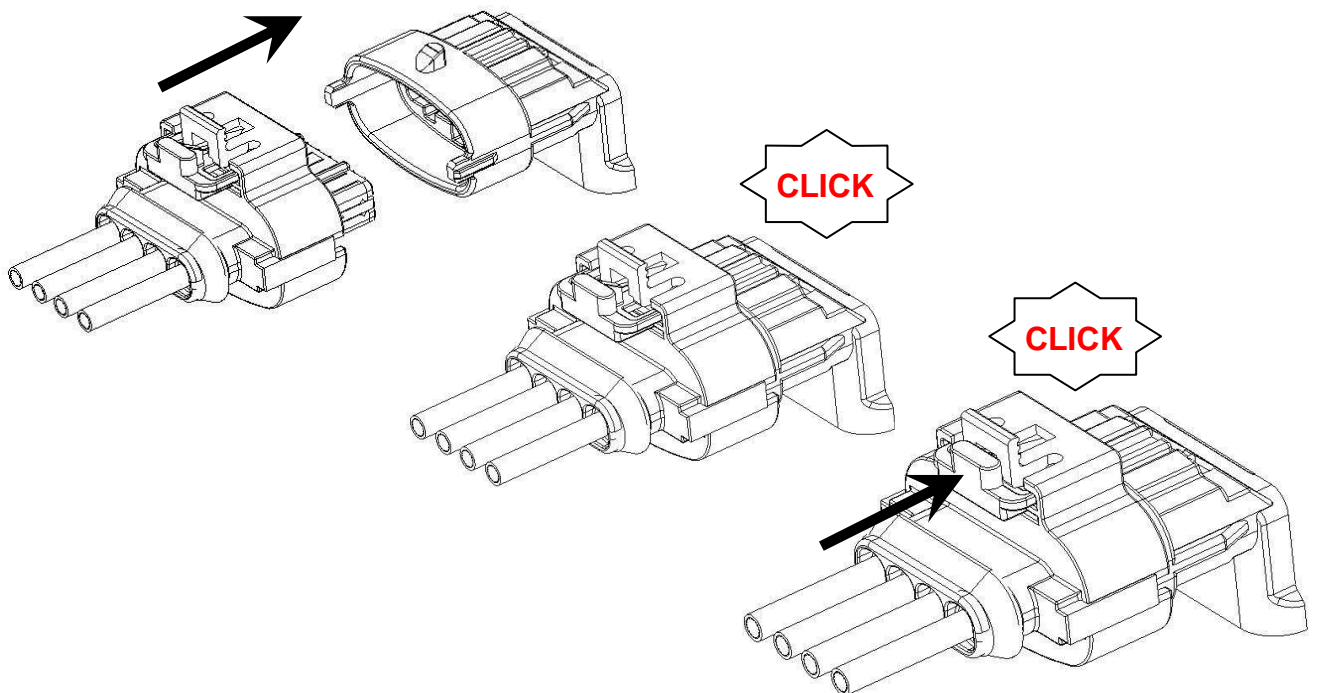
After the insertion of the contacts into their cavities, close the Secondary Lock, by pushing in the direction shown by the arrows on figure 3 below, into the relevant seats in the male and female housings until the end position.



**FIGURE 3 - HOUSING REC. ASS'Y 4 POS. SENSOR FLATR – P/N 1480968**

**5. CONNECTOR POSITION ASSURANCE CLOSING DEVICE**

After the insertion of the connector with contacts into the counter part, close the Connector Position Assurance (CPA), by pushing in the direction shown by the arrows on figure 4 below, into the relevant seats in the male and female housings until the end position.

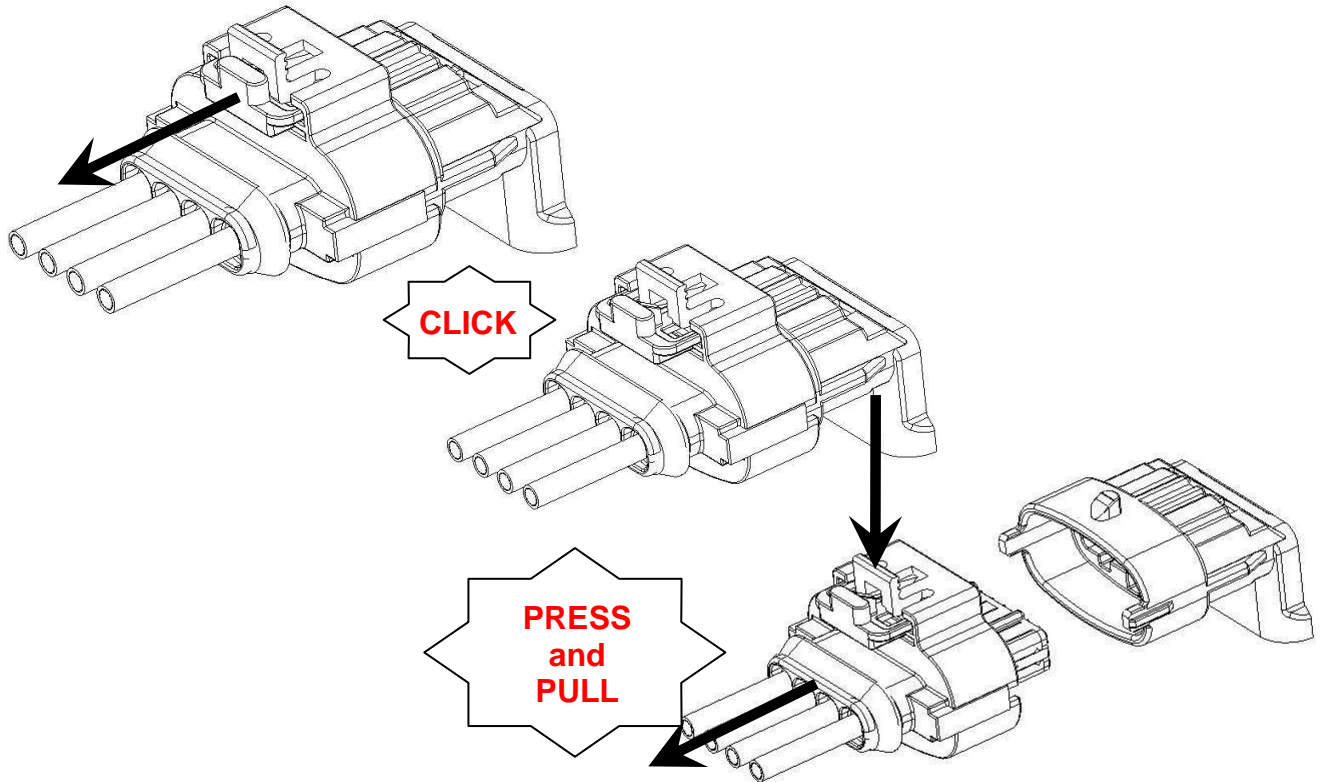


**FIGURE 4 - CPA CLOSING**

## 6. CONNECTOR POSITION ASSURANCE EXTRACTION

To extract the CPA the following steps must be followed:

- a) Pull the CPA in the direction shown by the arrows until pre-position, see Figure 5 below.



**FIGURE 5 - CPA EXTRACTION**

## 7. CONTACTS EXTRACTION

To extract a contact the following steps must be followed:

- a) Remove completely the Secondary Lock in the direction shown by the arrows; see Figure 6 below.



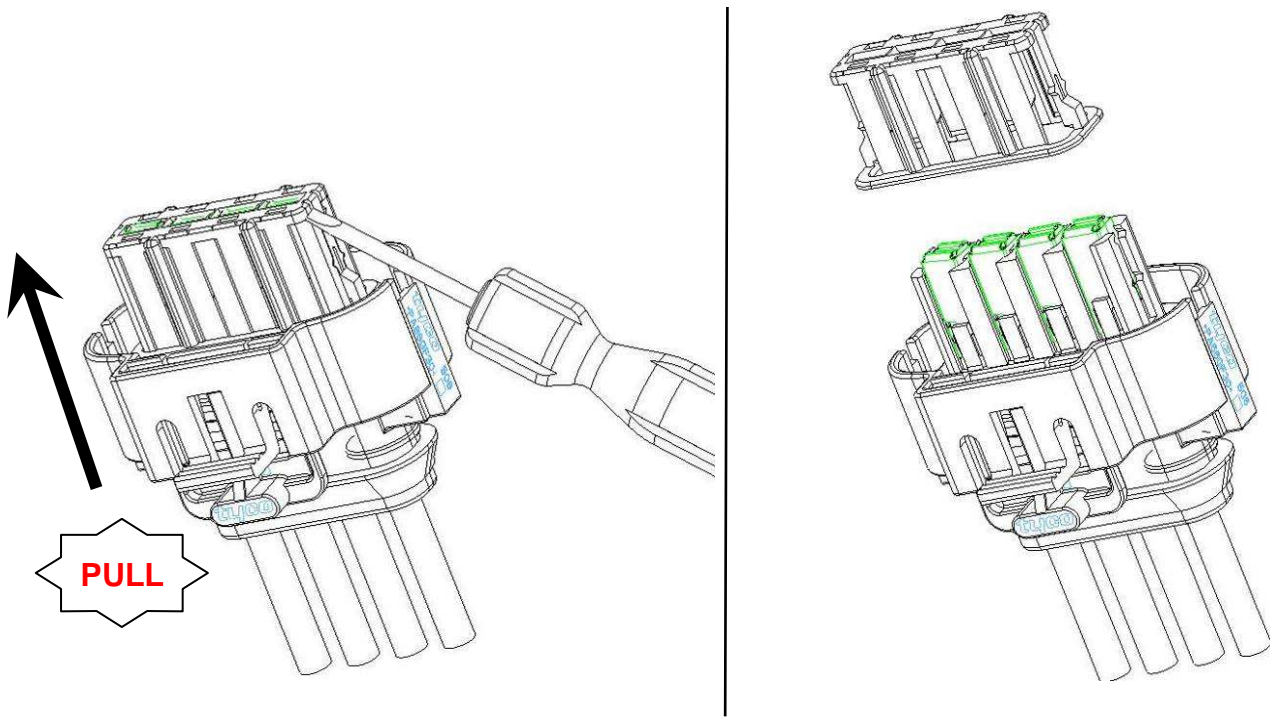


FIGURE 6 - 1480968

- b) Insert the appropriate tool, see Figure 7 to the relevant seats of the cavities, and then pull the contacts in the direction shown by the arrows.

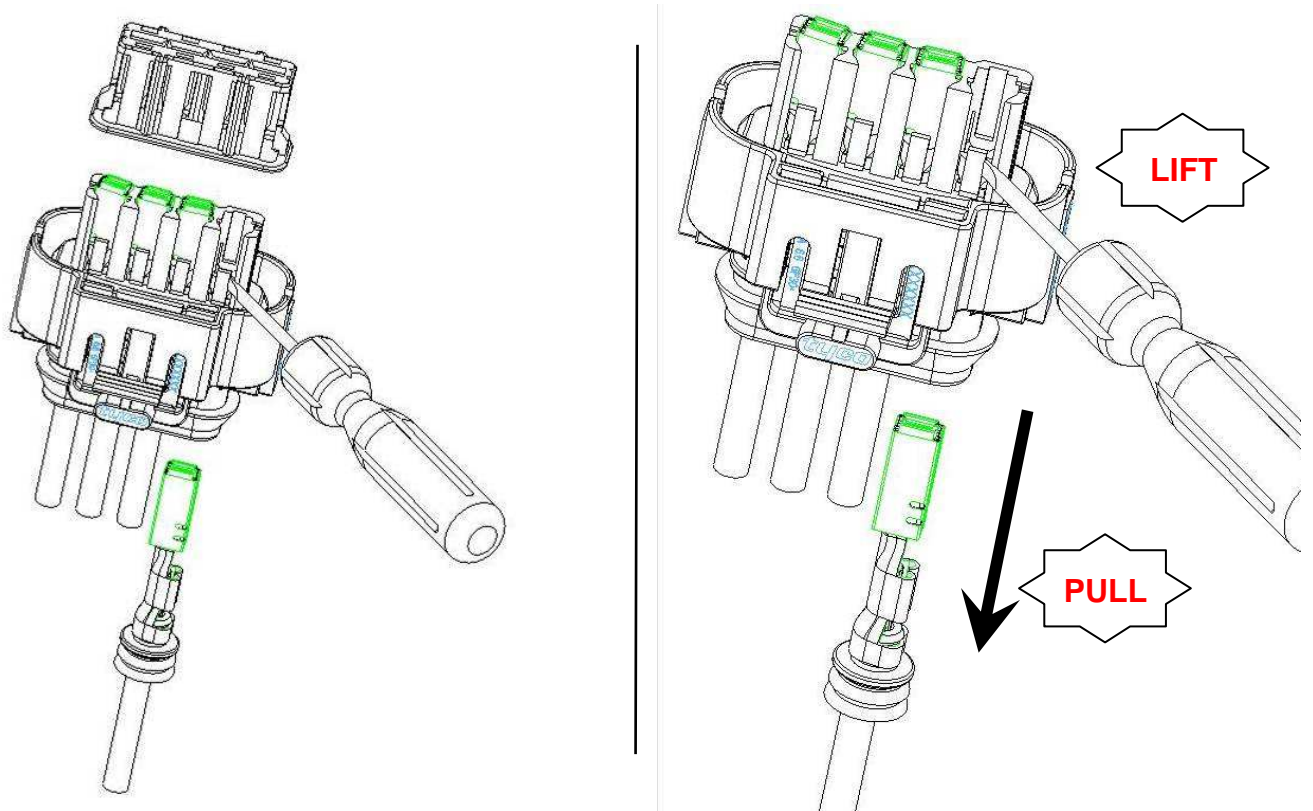


FIGURE 7

History				
Rev.	Date	Description	Prepared	Approved
A	22-Feb-2010	Released	S. Alves	L. W. Prado