

Hsg. Ass'y 2p Junior Power Timer Rec.

1. SCOPE

1.1 Content

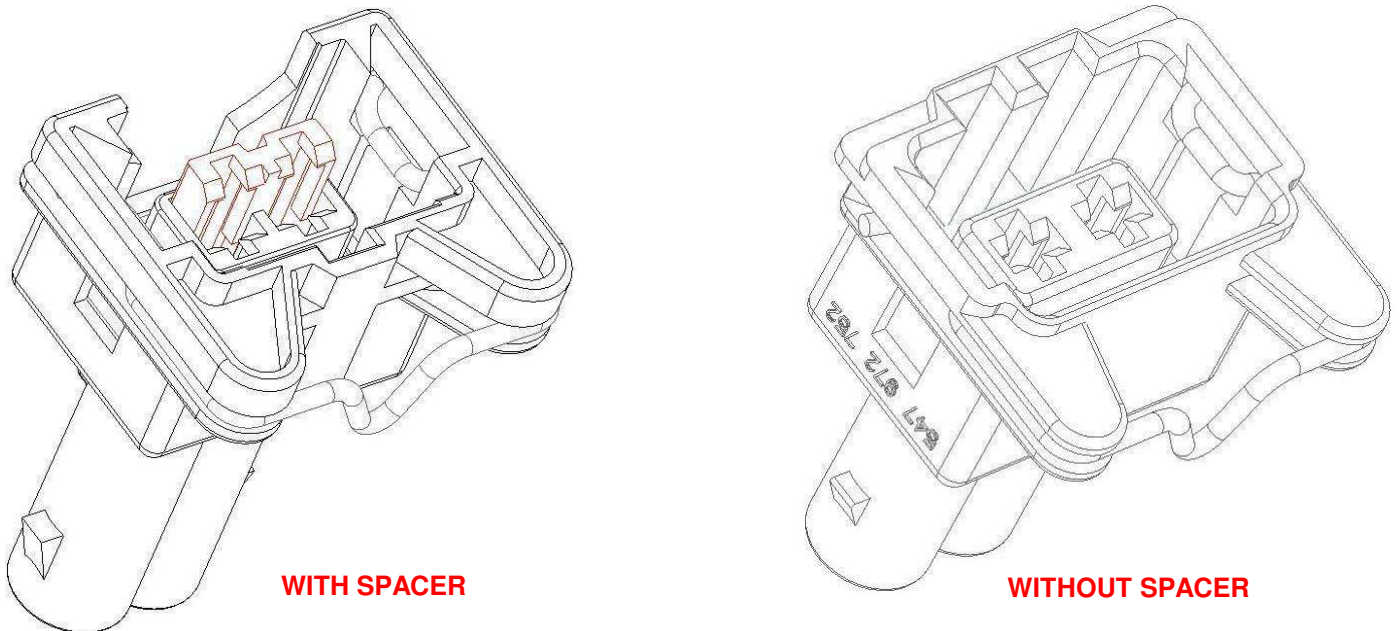
This Instruction Sheet is to provide useful information for correct assembly of the harness and correct assembly / disassembly of the connectors.

TE P/N	TRADE MARK DESCRIPTION
444071-1	Hsg Ass'y 2p Junior Power Timer Rec.
444079-1	Hsg Ass'y 2p Junior Power Timer Rec.
444496-1	Hsg Ass'y 2p Junior Power Timer Rec.
444496-2	Hsg Ass'y 2p Junior Power Timer Rec.
444496-5	Hsg Ass'y 2p Junior Power Timer Rec.
444496-6	Hsg Ass'y 2p Junior Power Timer Rec.
444496-7	Hsg Ass'y 2p Junior Power Timer Rec.
881739-1	Hsg Ass'y 2p Junior Power Timer Rec.
881757-1	Hsg Ass'y 2p Junior Power Timer Rec.
881757-2	Hsg Ass'y 2p Junior Power Timer Rec.
881757-3	Hsg Ass'y 2p Junior Power Timer Rec.

*Table 1*

2. PACKAGING OF THE CONNECTORS

Hsg Ass'y 2 Posn, Junior Power Rec. (PN 881757-1 and 444079-1) is shown on Figure 01. The Connectors have mechanical polarizations to assure the proper mating between male and female housing. The connectors are supplied in a carton box in random order.



**HOUSING ASS'Y 2 POS. JUNIOR POWER TIMER REC.**

*Figure 1*

### 3. CONTACTS LOADING

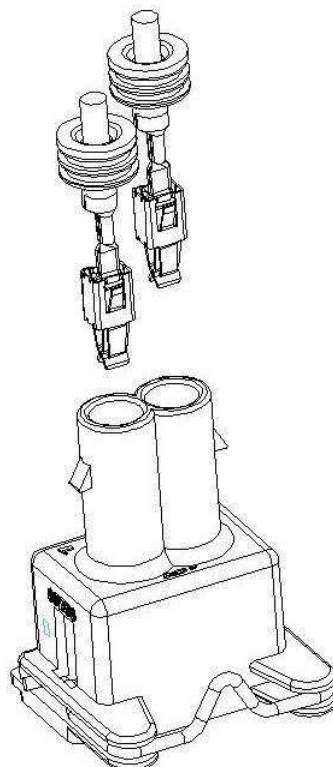
Insert the contacts into the housings cavities according to Figure 2 until the lance on the metal contacts body is released. On table 2 below are indicated the different contacts used.

TE PN	TRADE MARK DESCRIPTION	WIRE RANGE (FOR CONTACTS ONLY)
964282	JR. POWER TIMER REC. CONTACT NEW FAMILY – (PN: 1355047)	0,35 – 0,5 mm <sup>2</sup>
964286		0,5 – 1,0 mm <sup>2</sup>
964273		>1,0 – 2,5 mm <sup>2</sup>
185026	JR. POWER TIMER REC. CONTACT OLD FAMILY – (PN: 1355046)	0,35 – 0,5 mm <sup>2</sup>
185027		>1,0 – 2,5 mm <sup>2</sup>
927772		0,35 – 0,5 mm <sup>2</sup>
929941		0,35 – 0,5 mm <sup>2</sup>
927770		0,5 – 1,0 mm <sup>2</sup>
929939		0,5 – 1,0 mm <sup>2</sup>
929937		>1,0 – 2,5 mm <sup>2</sup>
927766		>1,0 – 2,5 mm <sup>2</sup>

*Table 2*  
(CONTACTS USED ON HSG ASS'Y 2 POSN, JPT REC.)

TE PN	TRADE MARK DESCRIPTION	WIRE RANGE (INSULATION mm)	COLOR
963292	SINGLE WIRE SEAL	2.7 – 3.0	YELLOW
963293	SINGLE WIRE SEAL	2.0 – 2.7	BROWN
963294	SINGLE WIRE SEAL	1.2 – 2.1	BLUE
828905	SINGLE WIRE SEAL	2.2 – 3.0	WHITE
828904	SINGLE WIRE SEAL	1.2 – 2.1	BLUE

*Table 3*

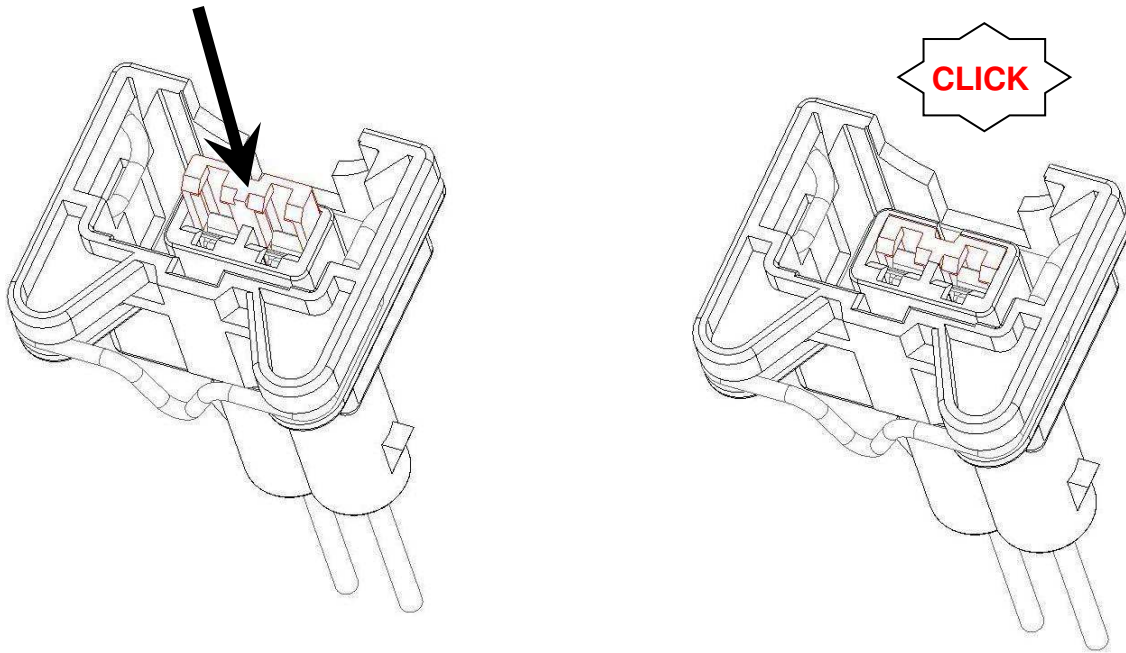


*Figure 2*

#### 4. SECONDARY LOCK CLOSING DEVICE

##### **ONLY FOR THE HSG ASS'Y 2 POS. JUNIOR POWER TIMER REC. WITH SPACER**

After the insertion of the contacts into their cavities, close the Secondary Lock, by pushing in the direction show by the arrows on Figure 3 below, into the relevant seats in the male and female housings until the end position.



**Figure 3**



*If you notice a resistance do not push any more, but check the correct position of the Secondary Lock and the contacts in their cavities, and only then proceed to close the device.*

#### 5. CONTACTS EXTRACTION

To extract a contact the following steps must be followed:



*Only for P/N's 881757-1 , 881757-2 and 881757-3 .*

- 5.1 Insert the appropriate tool our PN (968107-1), see figure 5 to the relevant seats of the cavities, and then pull the contacts in the direction shown by the arrows.

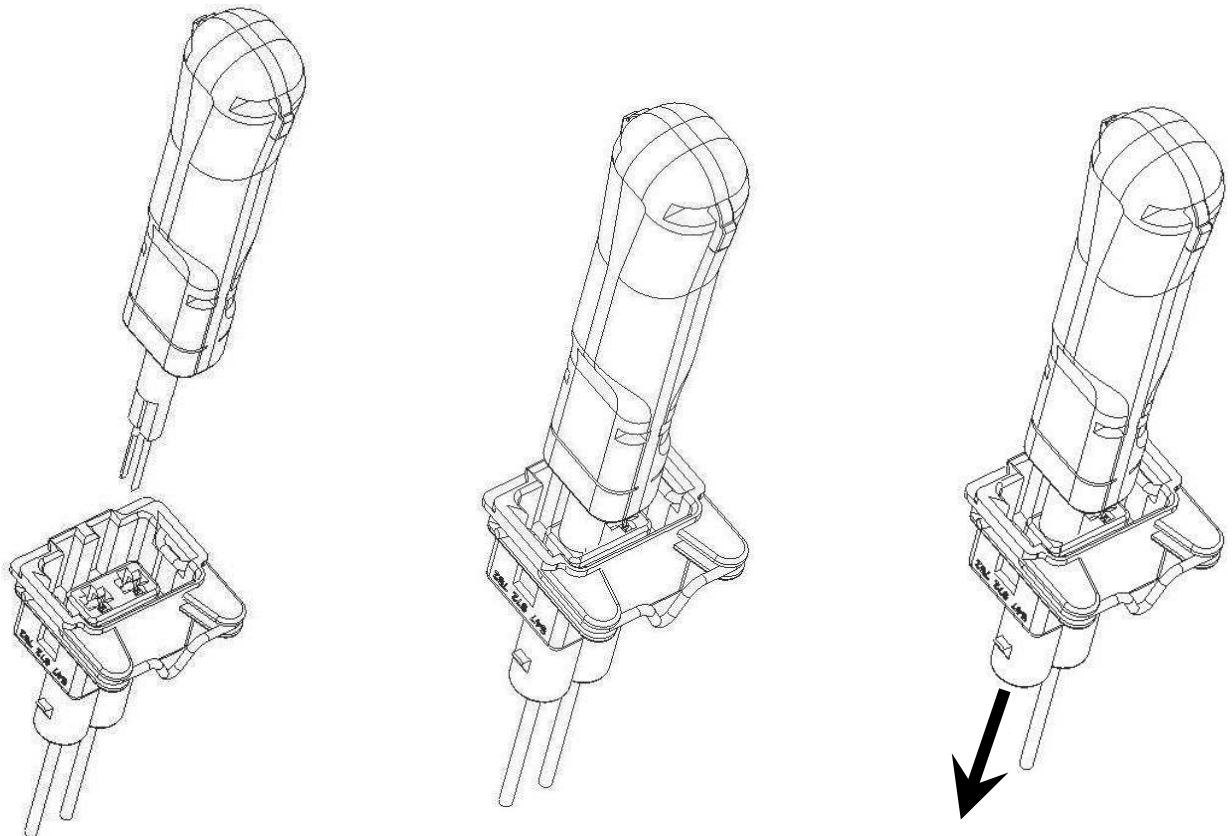


Figure 4

## 6. CONNECTORS INSERTION

To insertion of the connector the following steps must be followed :

6.1 Press the Cover Cap (TE PN 444511) in the direction shown by the arrows; see Figure 6 below.

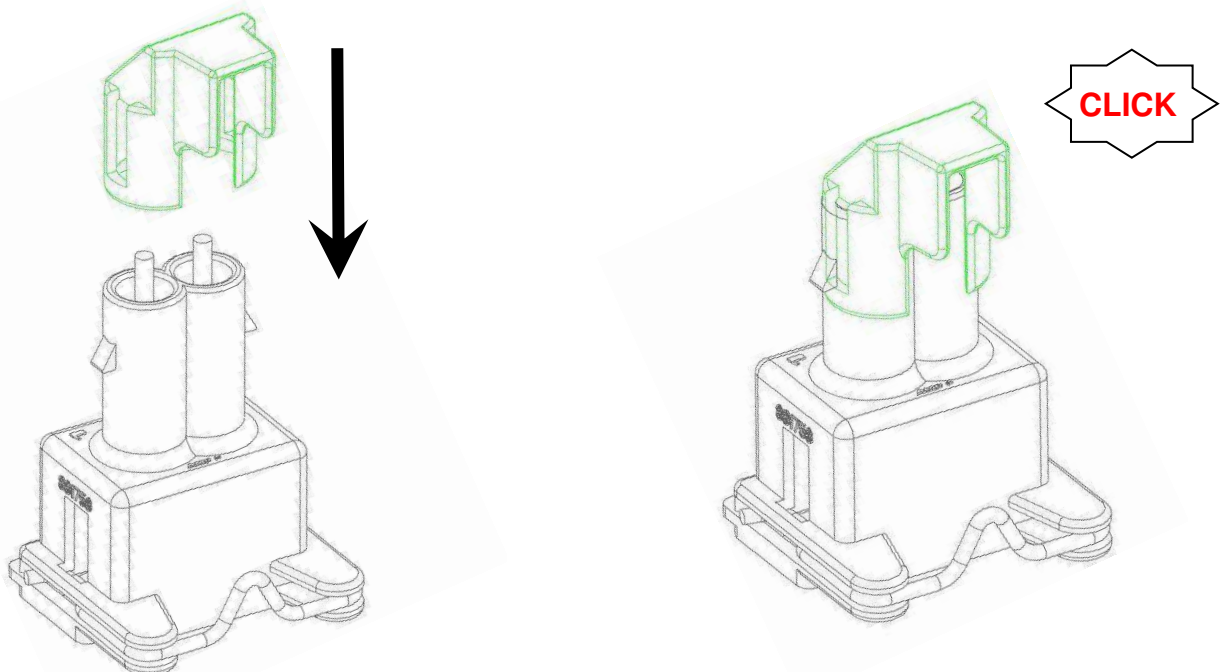


Figure 5

6.2 Insert the connectors (Rec.and Tab) in the direction shown by the arrows; see Figure 7 below.

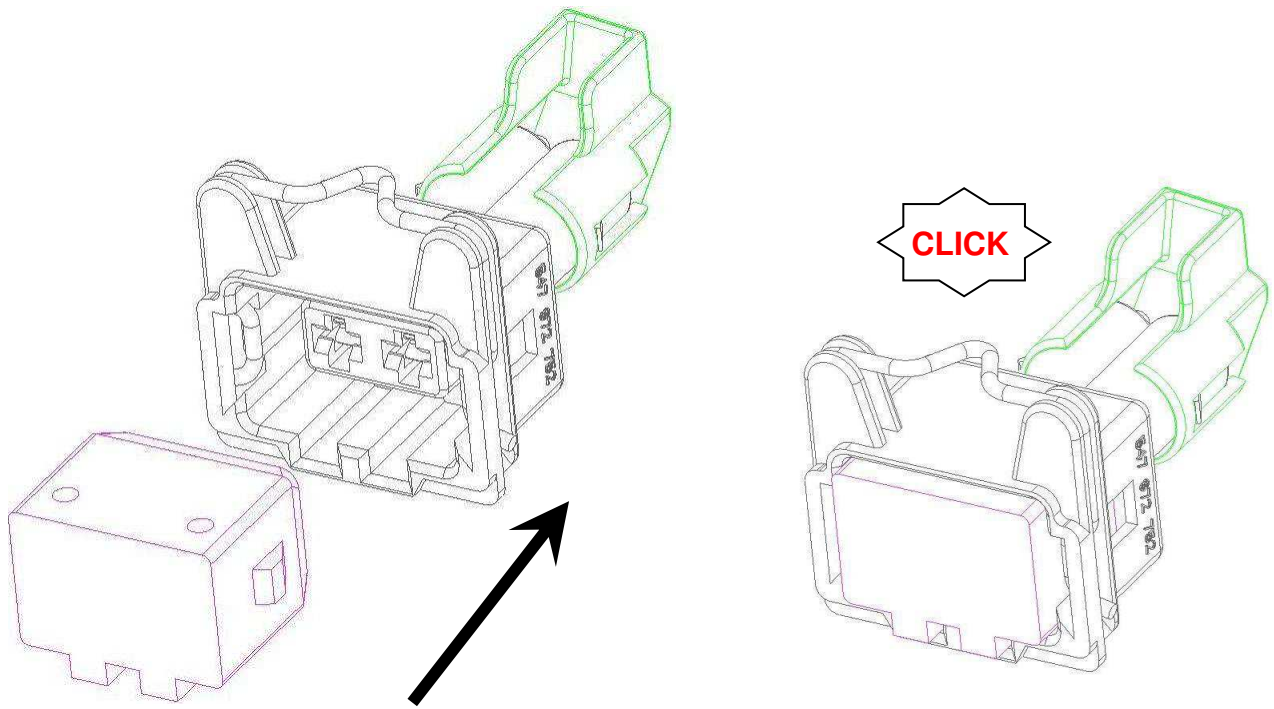


Figure 6

History				
Rev.	Date	Description	Prepared	Approved
A	25-Aug-2008	Initial Release	G. Oliveira	L. W. Prado
B	18-May-2009	Drafting Error/Omission/Clarification	G.Oliveira	L. W. Prado
C	19-Nov-2010	Add new part number in Table 2	L. W. Prado	A.Metzker
D	27-Jul-2012	Changed Item 5 Remove Figure and add Note)	G.Oliveira	J.Menenghin
E	03-May-2023	Added Cover Cap PN section 6.1	M.Ibusuki	R.K.Leme