

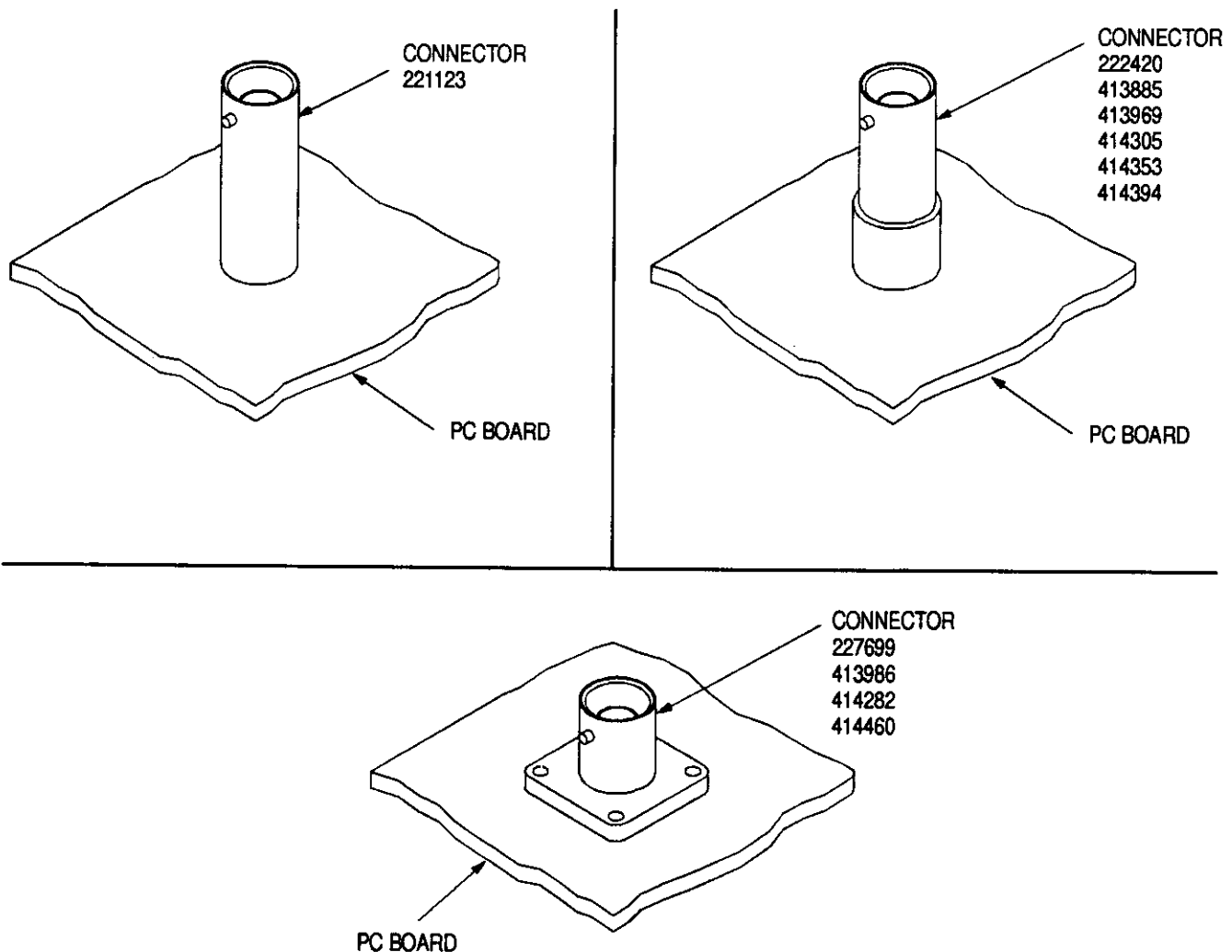
BNC VERTICAL JACK CONNECTORS

Figure 1

cad

1. INTRODUCTION

This instruction sheet describes the procedure to mount AMP Commercial BNC Vertical Jack Connectors onto pc boards. The connectors are available in different styles, varying in height, pin configuration, shell plating, and contact plating. The style used will depend upon the application requirements. For information concerning the selection of connectors, refer to AMP Catalog 82074 or the appropriate AMP Customer Drawing.

2. MOUNTING PROCEDURES

1. Determine location for connector on pc board.
2. Make the pc board cutout using the dimensions provided on the appropriate AMP Customer Drawing.
3. Insert the connector into the pc board, as shown in Figure 1.
4. Solder the legs to the pc board using standard soldering techniques. Make sure the connector remains seated on the pc board during the soldering process.