

KIT PART NUMBER				CONNECTOR		
INDIVIDUAL	BULK PACKED	•OPTIONAL KIT		SHELL SIZE	NUMBER OF POSITIONS	
		INDIVIDUAL	BULK PACKED		HDP-20, HDE	HDP-22
750100-1	750100-2	749914-2	749914-1	1	9	15
750101-1	750101-2	749915-2	749915-1	2	15	26
750078-1	750078-2	749626-2	749626-1	3	25	44
750987-1	750987-2	749916-2	749916-1	4	37	62

Figure 1

1. INTRODUCTION

This instruction sheet covers the assembly of the AMP AMPLIMITE Quik-Snap Backshell Kit. The kit is a one-piece, all-plastic cable clamp designed for use with either the AMPLIMITE HDP-20, HDP-22, or HDE all-plastic or metal-shell connectors. For related product information, refer to Catalog 82068. Read these instructions thoroughly before assembling the kits.

NOTE

Measurements are in metric units [followed by U.S. customary units in brackets]. Figures and illustrations are for identification only and are not drawn to scale.

Reasons for reissue are provided in Section 5, REVISION SUMMARY.

2. DESCRIPTION

Each kit contains one hinged cable clamp, two self-tapping screws, one strain relief clip, and one cable gate which is used to close an unused exit. For metal-shell connector applications, an optional kit is available with two retainer clips and mounting screws, which are used in connector-to-connector mating. Kits are available for connector sizes 1, 2, 3, and 4 with a cable exit option of 180° or 120°. Refer to Figure 1.

3. ASSEMBLY PROCEDURE

Terminate connector to be used with the cable clamp kit according to the instructions packaged with the connector. Then, proceed as follows:

NOTE

After termination, the distance between the back of the connector assembly and the end of the cable jacket must not exceed 28.19 mm [1.11 in.]. Refer to Figure 2.

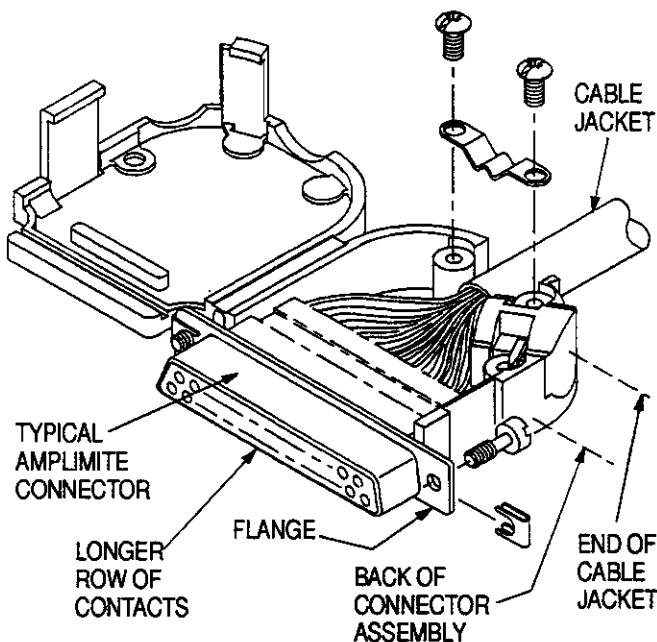


Figure 2

1. Choose the preferred cable exit and use cable gate to close off the unused exit. Slide the gate in position as shown in Figure 3.
2. Position the flange of the connector in the slot at the front of the cable clamp. Place the longer row

of contacts on the bottom so that the cable wires are not pinched when the cable clamp is closed. See Figure 2.

3. Locate the cable jacket between the strain relief bosses of the cable clamp. Place the strain relief clip over the cable jacket.

a. For cable with a small outside diameter, orient the strain relief clip down, as shown in Figure 4, Detail A.

b. For cable with a large outside diameter, orient clip up, as shown in Figure 4, Detail B.

4. Insert the self-tapping screws through the holes of the strain relief clip and tighten screws not more than .33 N•m [3 in.-lb.] torque.

NOTE

If using a special application, refer to Section 4, SPECIAL APPLICATIONS, before inserting self-tapping screws.

5. Close cover and secure latches.

6. If using a metal-shell connector, insert each mounting screw through the back of each flange hole. Slide each retainer clip around each side of the flange and mounting screw. See Figure 2.

NOTE

The retainer clips will snap into place when properly assembled.

4. SPECIAL APPLICATIONS

For special applications, the cable clamp cover may be secured with one special self-tapping screw in the outboard boss. Refer to Figure 5. Order screw

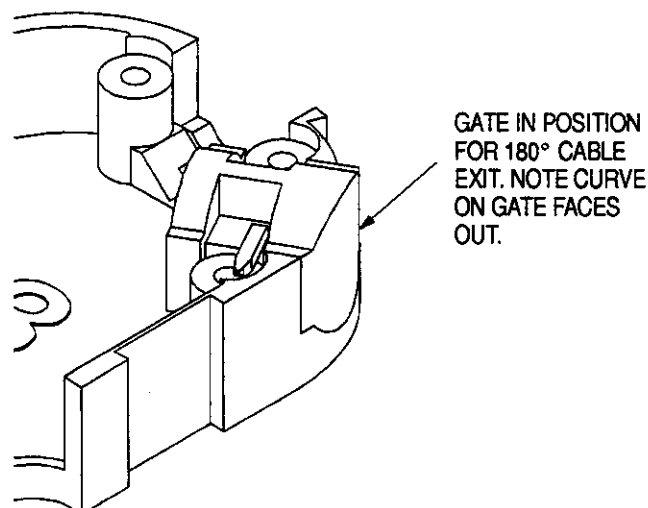
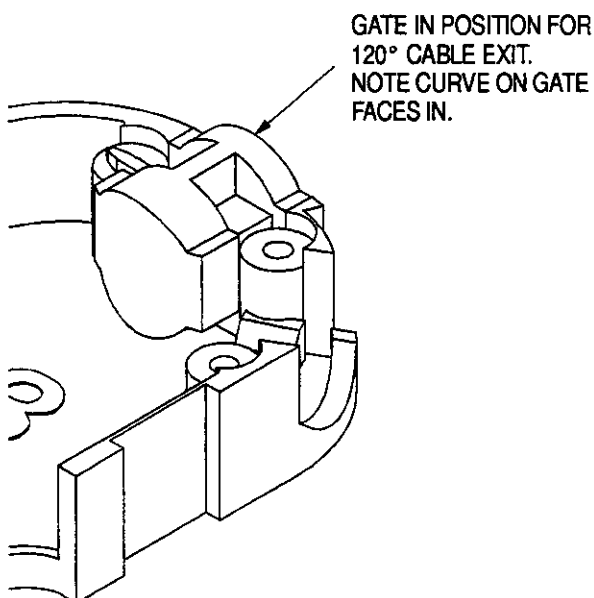


Figure 3

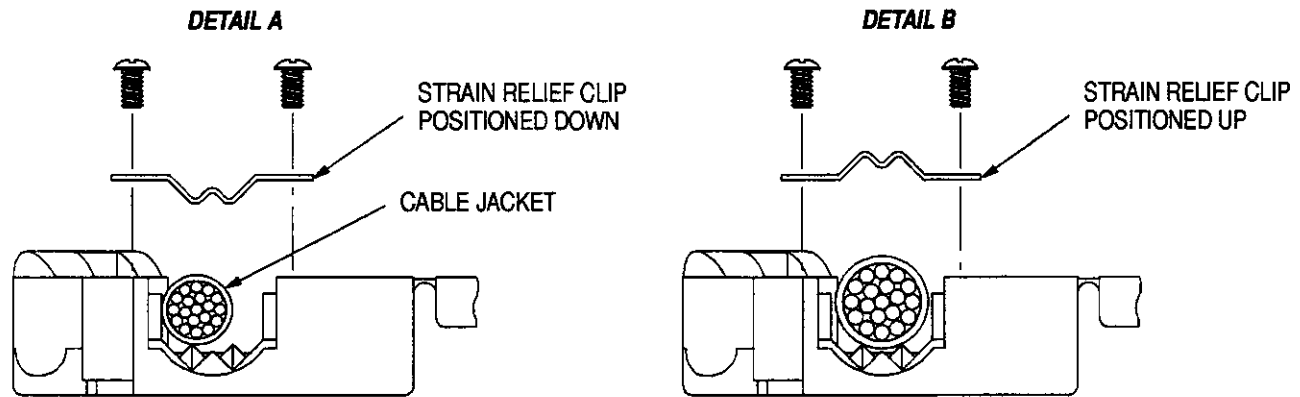


Figure 4

separately (AMP Part No. 28593-1) and install as follows:

1. Pierce a hole in the cable clamp cover as indicated in Figure 5.
2. If using the 120° cable exit, insert one self-tapping screw through the hole in the strain relief clip opposite the outboard boss, leaving the other hole empty for the special screw. Refer to Figure 5, Detail A. Close cover and secure latches. Insert the special screw in the pierced hole. The special screw will secure the cable clamp cover as well as the strain relief clip.

If using the 180° cable exit, insert self-tapping screws through holes in strain relief clip, close cover and secure latches. Insert the special self-tapping screw in pierced hole. Refer to Figure 5, Detail B.

NOTE

A combination of washers 3.81-mm [.150-in.] thick should be inserted under the special self-tapping screw on the inside of the cable clamp. See Figure 5.

3. Tighten the special self-tapping screw; do not exceed .33 N•m [3 in.-lb.] torque.

5. REVISION SUMMARY

Revisions to this document include:

Per EC 0990-0252-93:

- New format
- Added metric dimensions

Per EC 0020-0973-93:

- Added individual and bulk packed part numbers for backshell kit; and added bulk packed part numbers for optional backshell kit in Figure 1
- Indicated outboard boss on cable clamp in Figure 1
- Changed integral gate to cable gate
- Changed cable gate from being attached to cable clamp to being separate in Figure 1

- Added description of optional backshell kit for metal-shell connector applications in Section 2
- Noted position of curve on gate for 120° and 180° cable exits

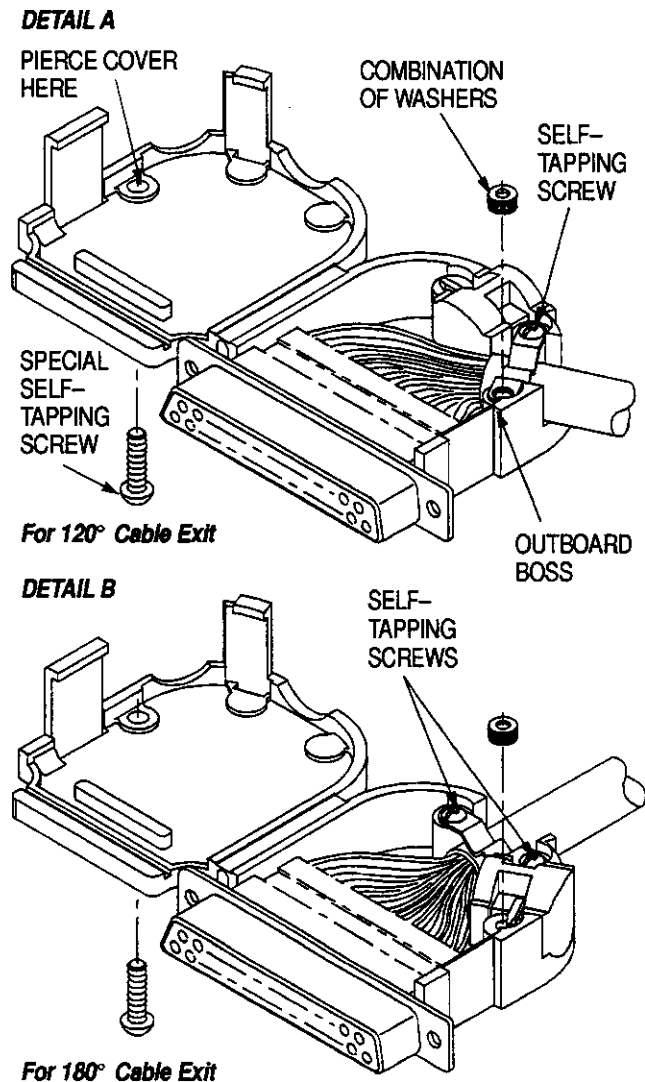


Figure 5