

FIG. 1

© 1965 by AMP Incorporated. All international rights reserved. A-MP products covered by U. S. and foreign patents and/or patents pending.

1. These instructions cover the A-MP Shield and Cable Clamps (Shields) shown in Figure 1. Read them carefully before assembling the Shields.

**2. JACKSCREW ASSEMBLY**

Assemble two Jackscrews (No. 202343 or 202344) to Connector Block as shown in Figure 1. Use A-MP Jackscrew Assembly Tool No. 91016-□. Refer to AMP Instruction Sheet No. 7126 which is packaged with the Tool.

**3. SHIELD ASSEMBLY**

- (a) Attach each Shield Half to Connector Block using two 6-32 x 1/4 Fillister Head Machine Screws or A-MP Corner Guide Pins or Sockets. See Figure 1. Refer to AMP Instruction Sheet No. 7134, which is packaged with Connector Block, for selection of Guide Pins or Sockets.
- (b) Assemble Clamp Retaining Screws to Shield as shown in Figure 2.

\*Trademark of AMP Incorporated

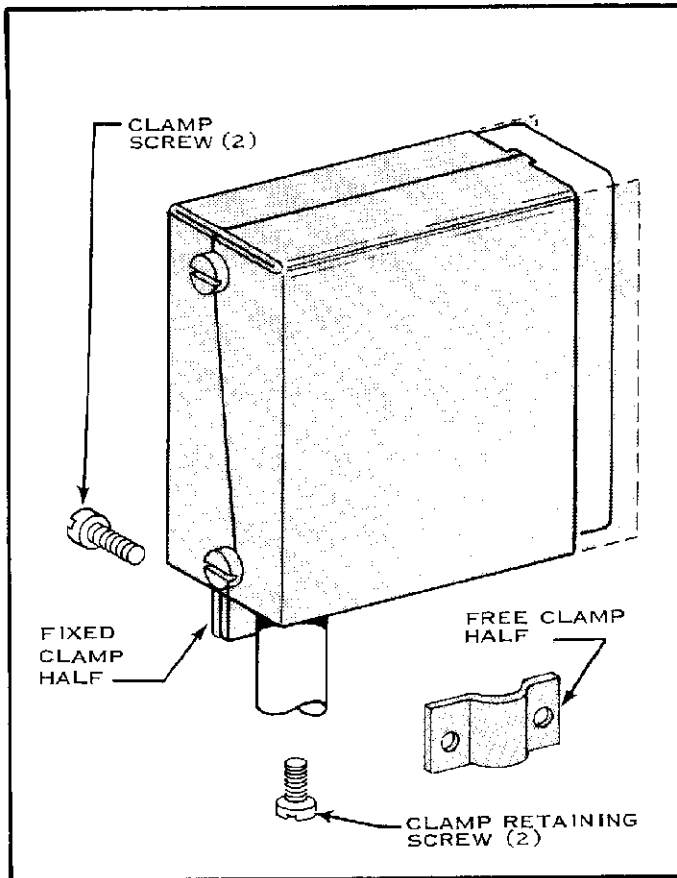


FIG. 2

(c) Attach Free Clamp Half to Fixed Clamp Half using the two Clamp Screws. See Figure 2. Do not tighten Clamp Screws.

(d) Allow some slack in Cable or Wires between Clamp and Connector Block. Then tighten Clamp Screws.

(e) Figure 3 shows completed 180° and 90° Assemblies.

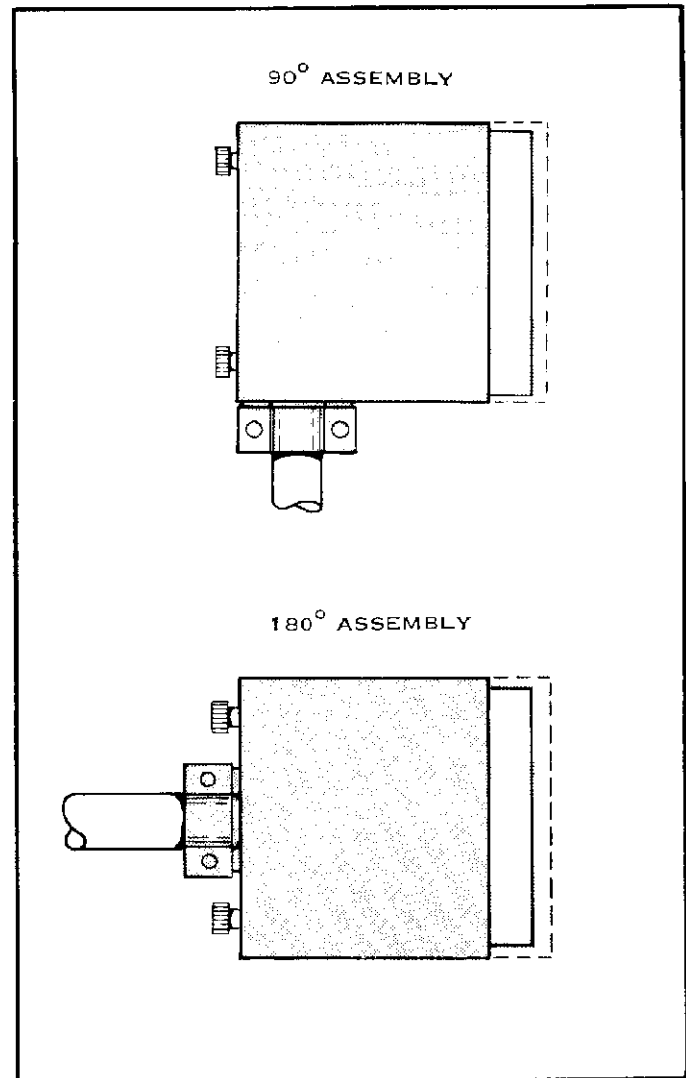


FIG. 3