



AMP INCORPORATED
HARRISBURG, PENNA.

A-MP* SHIELD AND
CABLE CLAMPS FOR
A-MP SERIES "G" CONNECTORS

IS 7185

RELEASED 3-29-65

REVISED 1-7-66

CONNECTOR PRODUCTS DIVISION

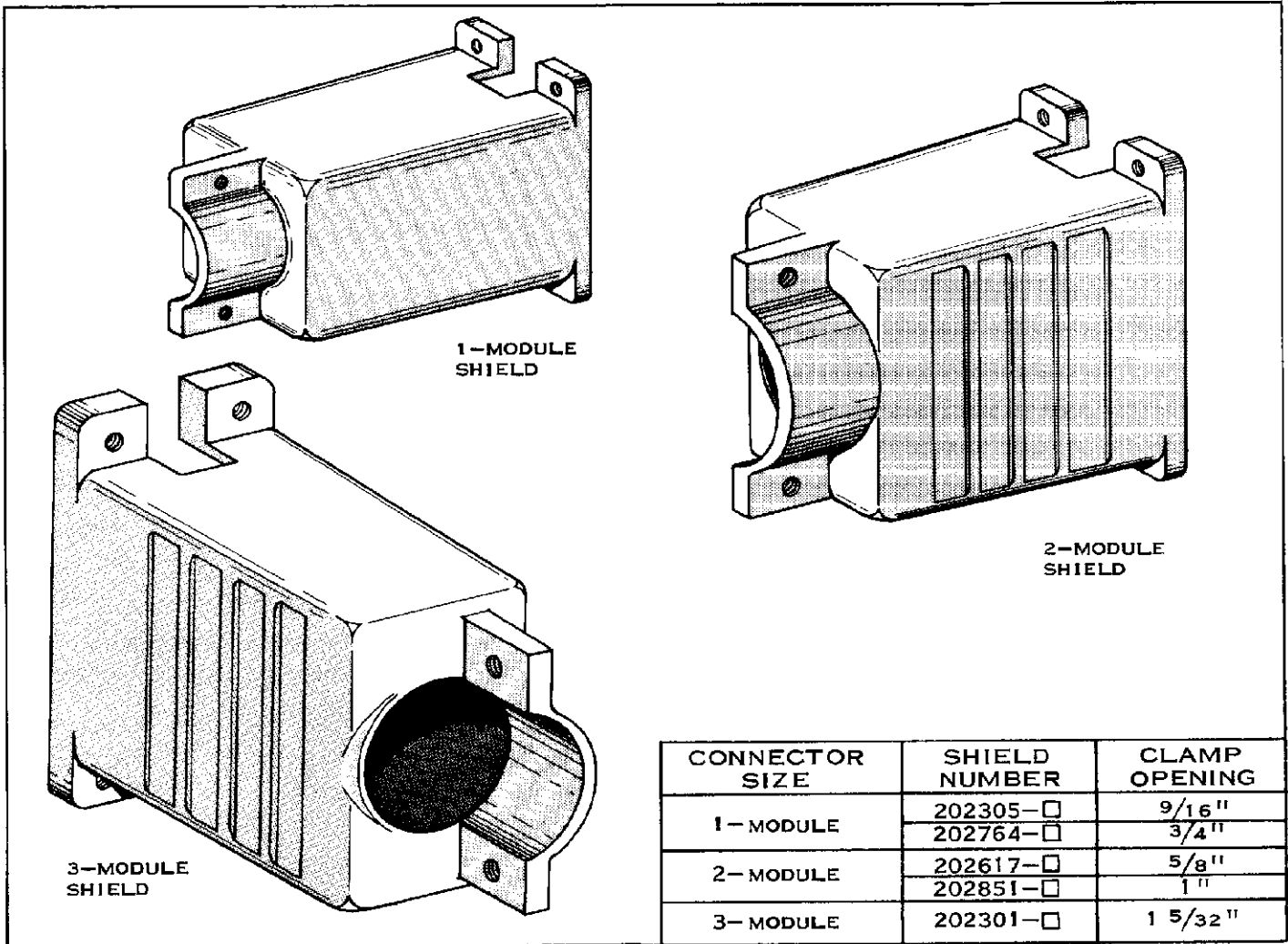


FIG. 1

1. These instructions cover the Shield and Cable Clamps (Shields) shown in Figure 1. Some Shields do not include Sleeves (see Figure 2). Therefore, when assembling them, disregard the instructions concerning the Sleeve.

2. ATTACHING SHIELD

NOTE: If a Cable is to be used, do not crimp Contacts on Cable until Steps 2 (a) and 2 (b) are completed.

- (a) Slide Shield over Cable - Clamp end first. See Figure 2.
- (b) Sleeve has smooth end and flanged end. Slide Sleeve over Cable - smooth end first. See Figure 2. Slide Sleeve thru Shield until Flange butts against inside of Shield.

NOTE: Sleeve for 3-Module Shield consists of four sections. Use all four sections for 1/4" diameter Cable. Use outer

three sections for 5/8" Cable and outer two sections for 3/4" Cable. Use outermost section for 15/16" Cable. Sleeve for 2-Module Shield has three sections for use with 1/4", 5/8" and 3/4" Cables.

(c) Strip Cable or Wire and apply and insert Contacts using the AMP Instruction Sheet packaged with the Contact Modules.

(d) Attach Shield to Series "G" Connector using four #4-40 x 3/8" Shield Attaching Screws. See Figure 3.

3. CABLE CLAMP ASSEMBLY

(a) Push Cable toward Connector to allow a slight amount of slack in the Wires inside the Shield.

(b) Assemble Cable Clamp using two Clamp Screws. See Figure 3.

© 1966 by AMP Incorporated. All international rights reserved. A-MP © products covered by U. S. and foreign patents and/or patents pending.

*Trademark of AMP Incorporated

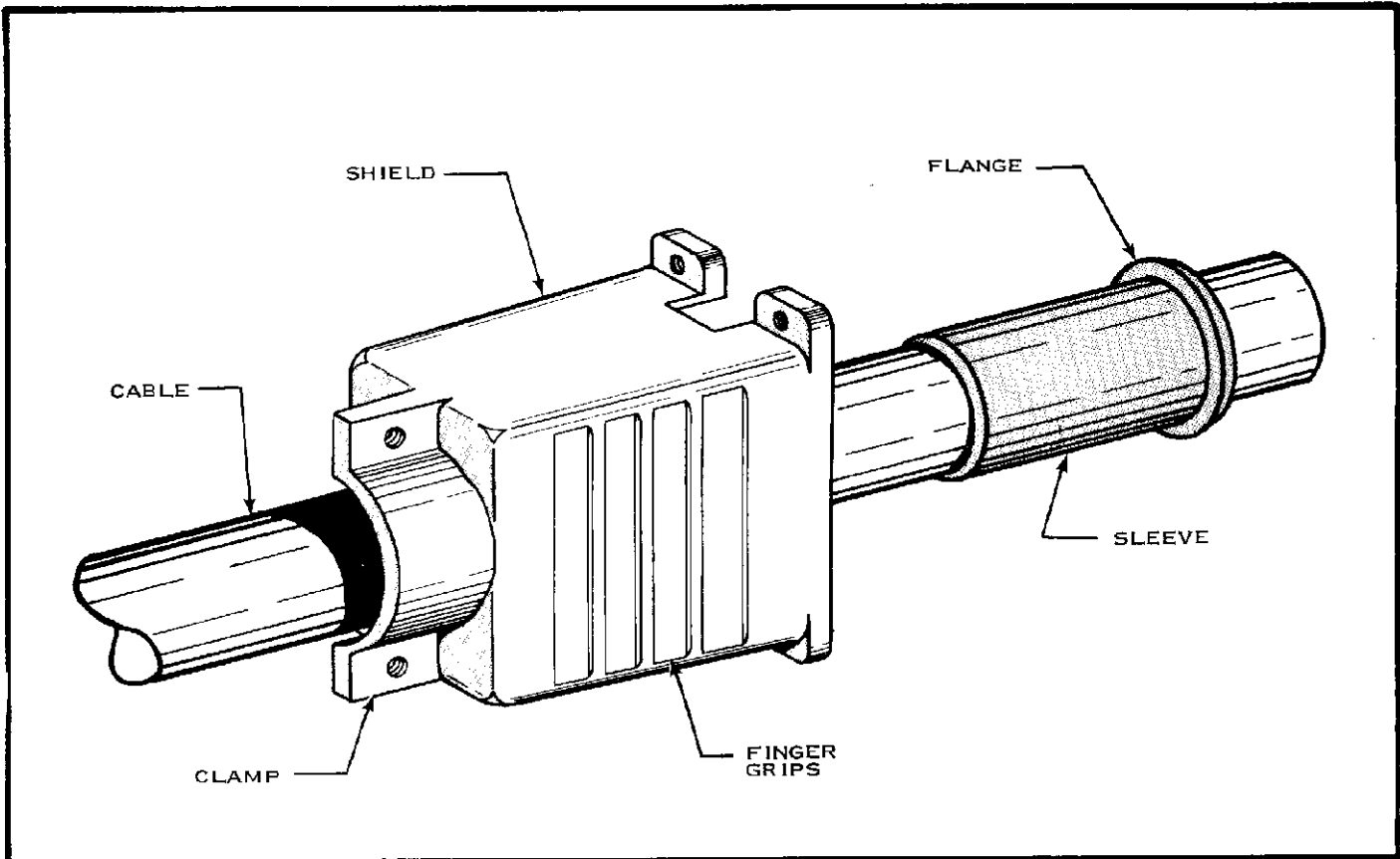


FIG. 2

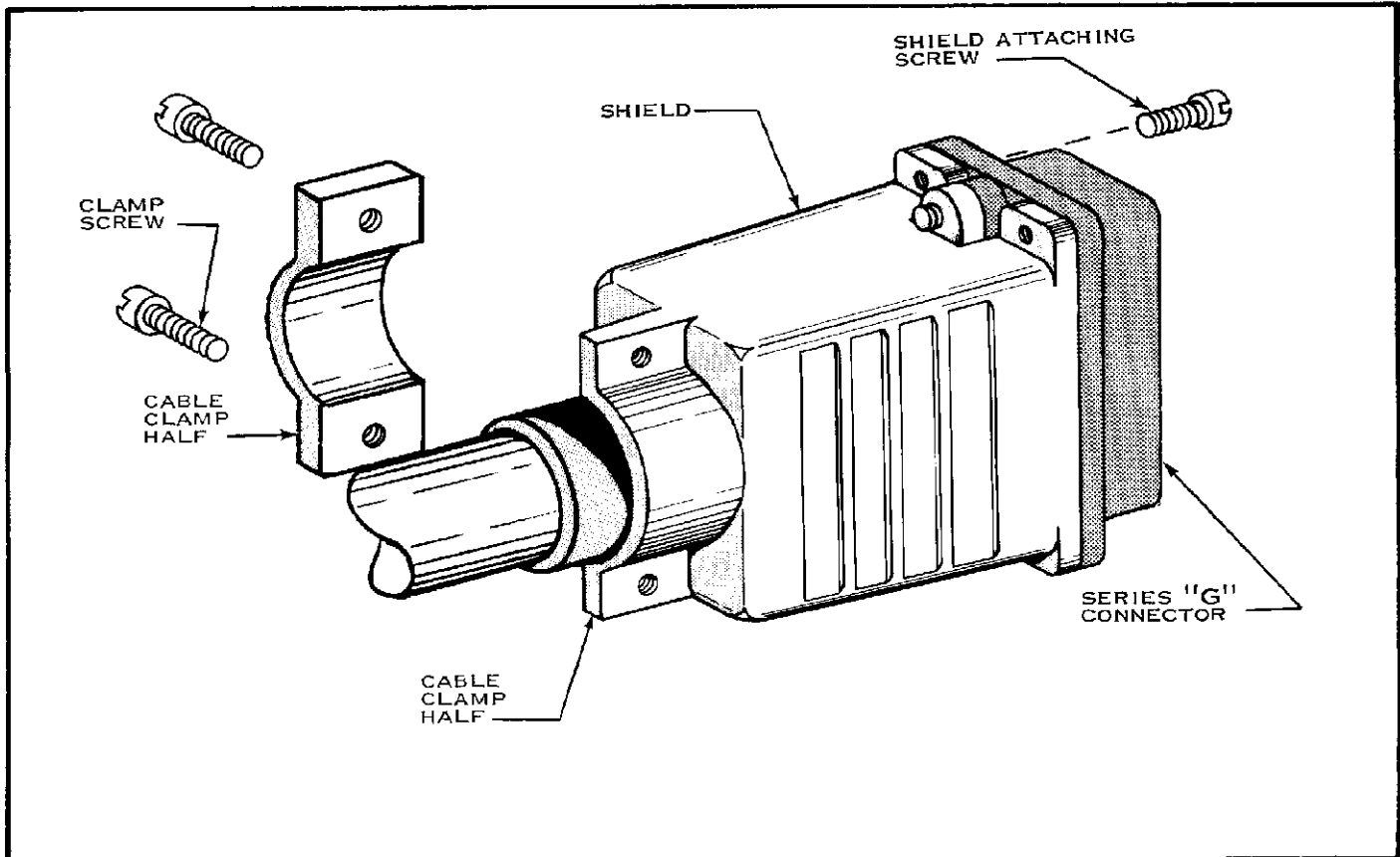


FIG. 3