

Fig. 1

1. INTRODUCTION

This instruction sheet (IS) covers the use of AMP keying and locking plugs — shown in Figure 1 — in applications with pre-assembled MTA-156 Card Edge Connectors. Read these instructions thoroughly before using the plugs.

NOTE

All dimensions on this sheet are in inches.

2. DESCRIPTION

The five plugs shown in Figure 1 are molded of natural-colored nylon thermoplastic, UL-rated 94V-2, with different polarizing or locking capabilities. Keying plugs (Styles 1 and 2) are used to properly mate connectors with single-sided printed circuit (pc) boards, .062 in. thick. Locking plugs (Styles 3, 4, and 5) can be a keying means as well, but their primary purpose is to lock the connector and pc board together — to prevent disengagement through vibrations, handling, and the like.

NOTE

Pre-assembled contacts must be removed before inserting Styles 2, 3, or 4 into selected positions. Refer to IS 6526 for contact removal with AMP Extraction Tool 457241-1.

3. INSTALLATION

The chart in Figure 2 shows each plug style, a cross section of a typical connector assembly, and necessary cutout slots and holes to accommodate

the mating pc board. Use the following procedures for front-side insertion of all plugs.

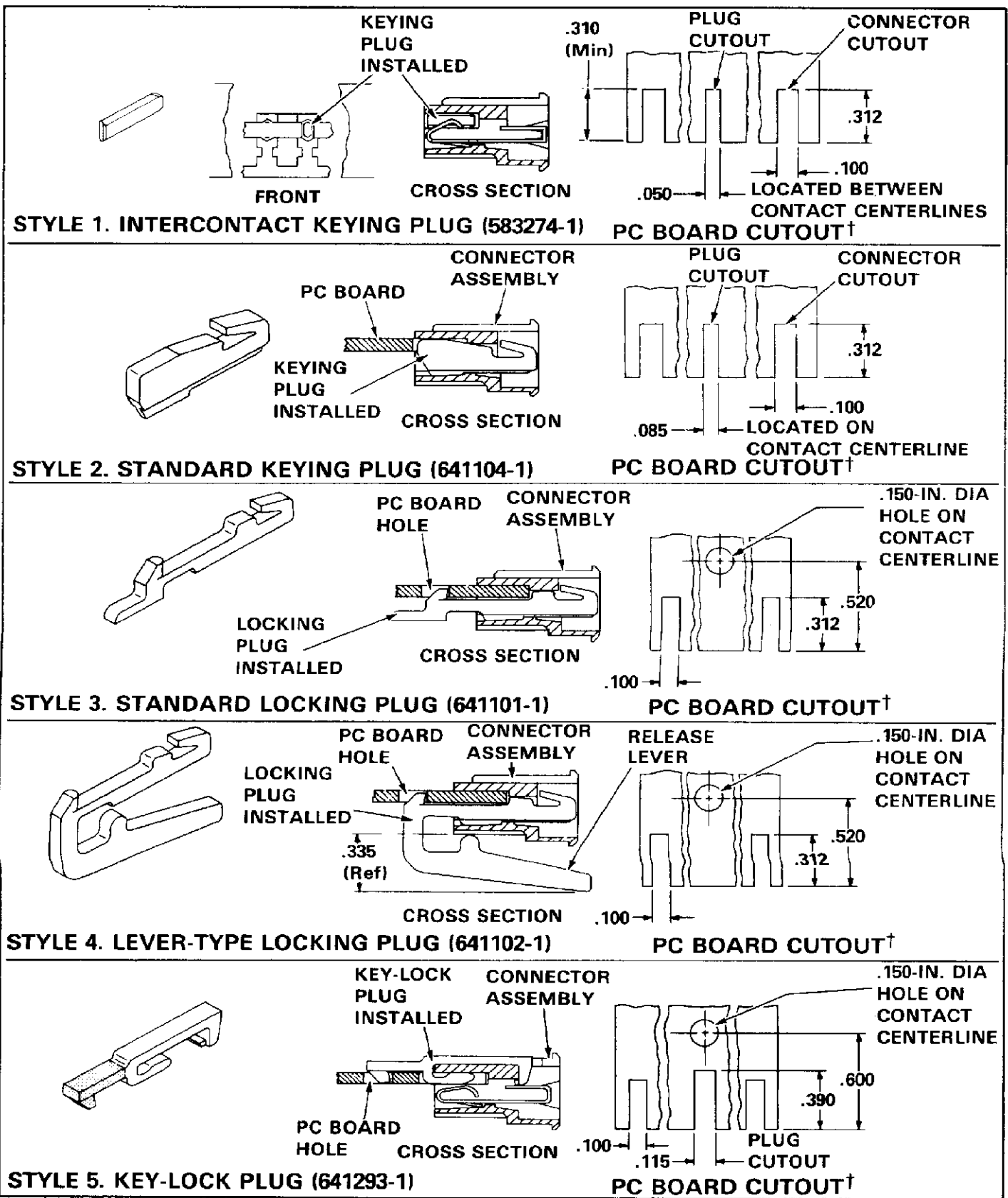
STYLE 1 (583274-1) — Align the narrow end of the inter-contact keying plug with rib slots *between contacts*. Insert the plug until it bottoms.

STYLE 2 (641104-1) — Remove contact and insert the V-shaped end of the standard keying plug into the cavity. Push inward until the leg of the plug locks in place.

STYLE 3 (641101-1) — Remove contact and align the V-shaped leg toward the selected position. Push inward until the plug snap-locks in place. The locking tab mates with the .150-in. board locking hole to prevent disengagement.

STYLE 4 (641102-1) — Follow the same installation procedures as Style 3. Note, however, the release lever that can be depressed for board and connector separation (in free-hanging applications with stationary boards).

STYLE 5 (641293-1) — Align the front tip of the key-lock plug between selected ribs on the connector surface and direct the middle lever into the board slot. (Contact removal is unnecessary.) Push the plug forward until the front tip latches over the connector edge. In use, the locking tab latches over the top of the .150-in. mounting hole. (Because the hole is placed on the contact centerline, use of the selected board pad is eliminated.)



† THE TWO OUTSIDE SLOTS SHOWN ARE USED TO PERMIT CONNECTOR MOUNTING OF PC BOARDS THAT ARE WIDER THAN THE CONNECTOR BOARD SLOT.

Fig. 2