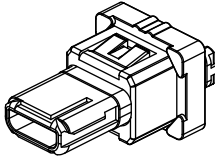


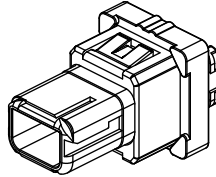
For an overview of D369 series connectors, [view our video at www.te.com](http://www.te.com).

For receptacle part numbers, refer to the customer drawings given in Figure 1.

Size 3 Receptacle
D612015-3-ENV



Size 6 Receptacle
D612015-6-ENV



Size 9 Receptacle
D612015-9-ENV

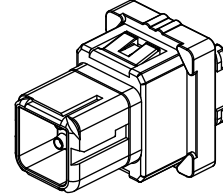


Figure 1

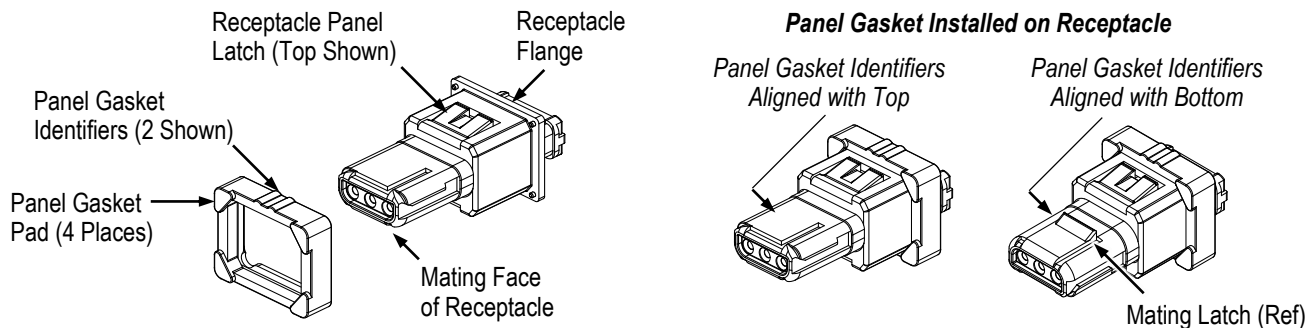


NOTE

Dimensions in this instruction sheet are in metric units [with U.S. customary units in brackets]. Figures are not drawn to scale.

1. ASSEMBLY

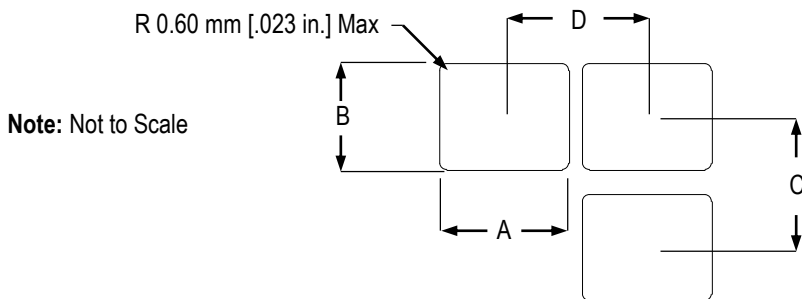
1. Crimp the contacts following the guidelines given in SAE AS39029, “General Specification for Contacts and Electrical Connectors”, then insert the contacts into the receptacle contact cavities.
2. Refer to Figure 2 and ensure that the panel gasket is compatible with the receptacle size and panel thickness. The number of panel gasket identifiers corresponds to the panel thickness. If it is not compatible:
 - a. From the mating face of the receptacle, pull the panel gasket from the receptacle.
 - b. Choose the appropriate panel gasket. Refer to Figure 2.
 - c. With the back (side without pads) of the panel gasket facing the mating face of the receptacle, align the panel gasket identifiers with the receptacle panel latch (on top or bottom), then slide the panel gasket onto the receptacle and hook the back over the receptacle flange. See Figure 2.



RECEPTACLE SIZE	PANEL THICKNESS (mm [in.]) ±0.10 [±.004]		
	1.27 [.05]	1.60 [.06]	2.03 [.08]
	PANEL GASKET 612154-(Suffix Number) Number of Receptacle Panel Gasket Identifiers		
	2	3	4
3	3-A	3-B	3-C
6	6-A	6-B	6-C
9	9-A	9-B	9-C

Figure 2

3. Prepare the panel with a cutout meeting the dimensions given in Figure 3.



PANEL THICKNESS (mm [in.]) ± 0.10 [± 0.004]			RECEPTACLE SIZE	PANEL CUTOUT DIMENSION (mm [in.])			
Number of Receptacle Panel Gasket Identifiers				A (Width)	B (Height) ± 0.03 [± 0.001]	MINIMUM PITCH (Centerline)	
2	3	4	C (Vertical)			D (Horizontal)	
1.27 [.05]	1.60 [.06]	2.03 [.08]	3	10.85 \pm 0.08 [.42 \pm .003]	8.95 [.3523]	12.8 [.503]	14.3 [.562]
			6		11.49 [.4523]	15.34 [.604]	
			9		14.03 [.5523]	17.88 [.704]	

Figure 3

4. From the back of the panel, align the receptacle mating face with the cutout so that the mating latch faces the bottom of the panel cutout, then insert the receptacle into the cutout until the panel latches snap into the panel cutout. Ensure that all panel gasket pads are against the panel. See Figure 4.



NOTE

In order for the release button of the plug to face the top of the panel cutout, the receptacle mating latch must face the bottom of the panel cutout when the receptacle is mounted to the panel.

Note: For clarity, wires are not shown.

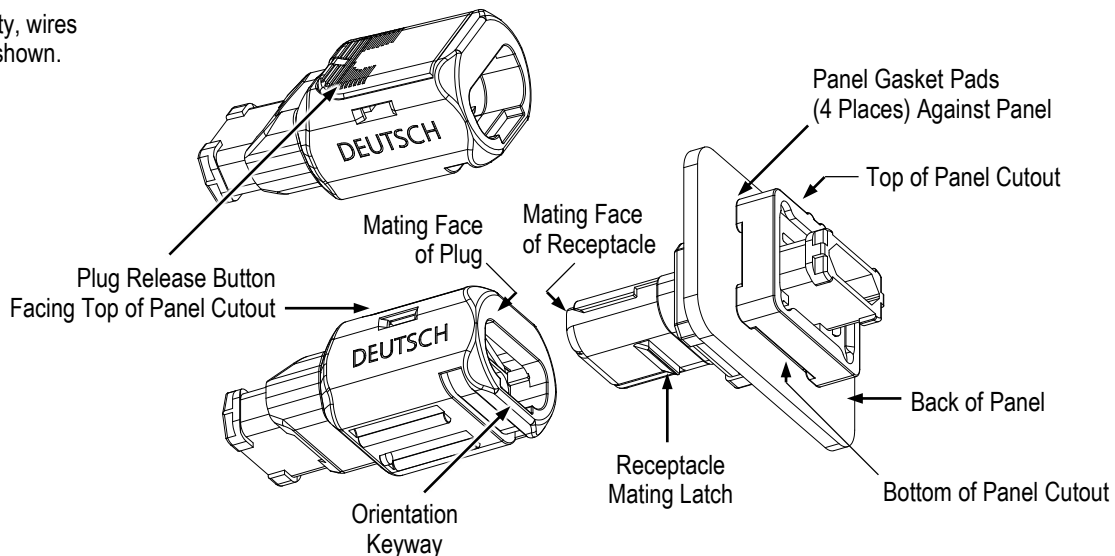


Figure 4

5. With the mating face of the plug facing the mating face of the receptacle, align the orientation keys with the receptacle orientation keyways, and push the plug onto the receptacle until it stops. See Figure 4.

2. DISASSEMBLY

1. Push the release button of the plug, then pull the plug straight from the receptacle.
2. From the front of the panel, align the opening of removal tool (refer to drawing [D612184-ENV](#) for part numbers) with the mating face of the receptacle according to the orientation markings on the side of the tool (arrows pointing toward front of panel), and slide it over the receptacle until it bottoms on the panel. See Figure 5.
3. Press on the mating face of the receptacle until the receptacle is free from the panel.

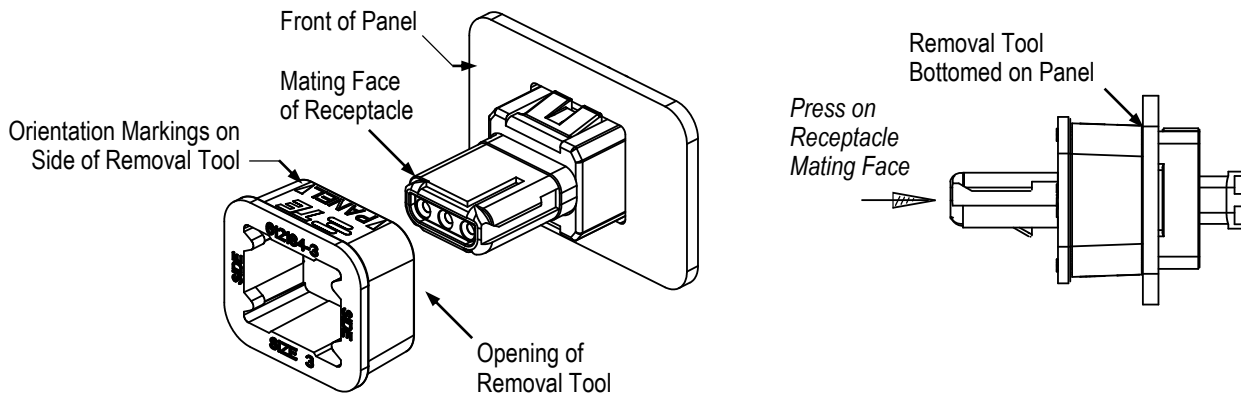


Figure 5

4. To remove the contacts from the receptacle, use insertion/extraction tool M81969/14-01 (or equivalent) following the guidelines given in SAE AS39029.

3. REPLACEMENT AND REPAIR

Do not use defective or damaged product.

The panel gasket can be replaced. Refer to step 2 of Section 1 for part numbers. To order replacement parts, call 1-800-522-6752, or fax your purchase order to 717-986-7605, or write to:

CUSTOMER SERVICE (038-035)
 TYCO ELECTRONICS CORPORATION
 PO BOX 3608
 HARRISBURG, PA 17105-3608

4. REVISION SUMMARY

Initial release of instruction sheet