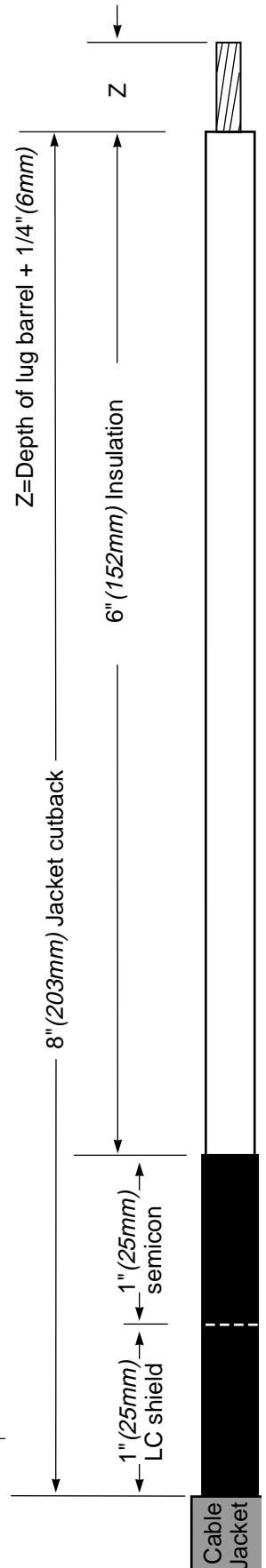
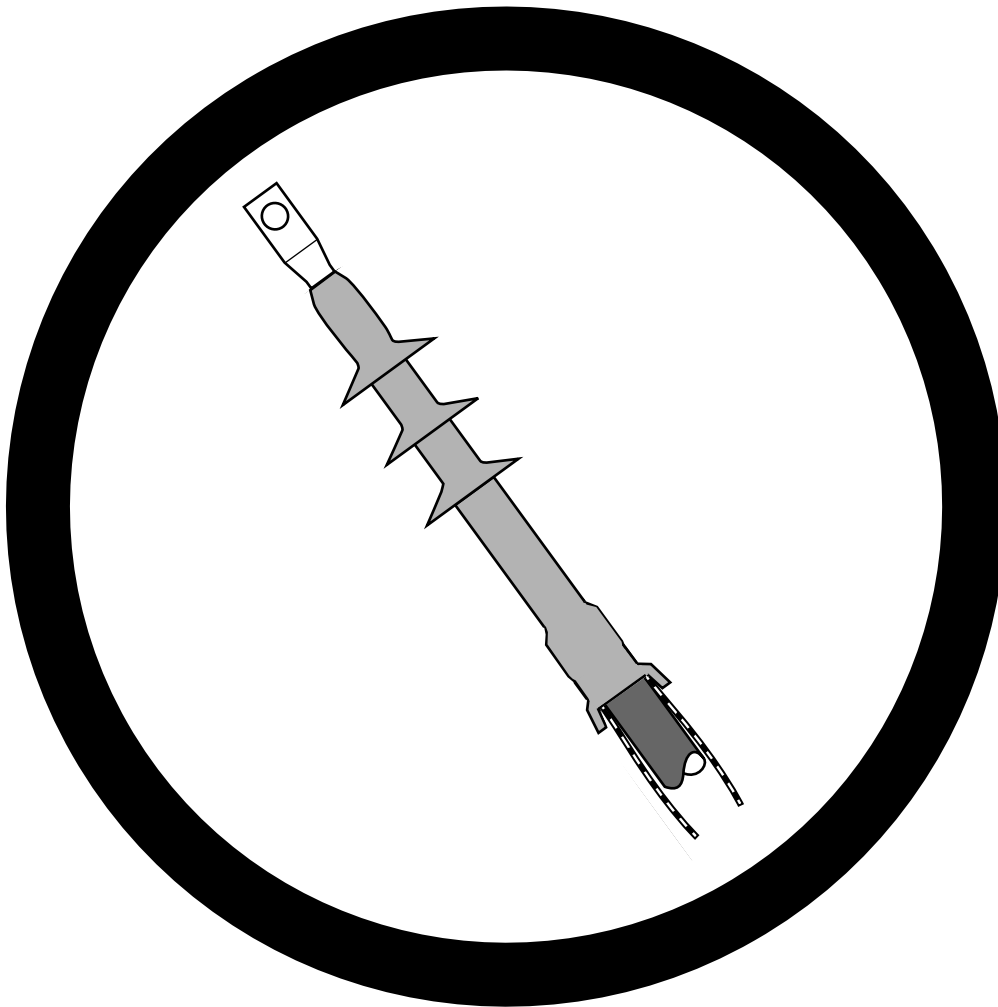


TFT-150E-SLC

15kV Cold Applied Termination System for LC Shielded Power Cables



Kit Contents

- 1 Installation Instruction
- 1 Silicone housing on holdout
- 1 Stress control patch
- 1 Roll spring
- 2 Solder blocked ground braids
- 2 Adhesive backed copper tape strips
- 1 Cloth tape
- Sealant tape strips
- 1 Cleaning kit

Suggested Installation Equipment (not supplied with kit)

- Cable preparation tools
- Clean, lint-free cloths
- Non-conducting abrasive cloth, 120 grit or finer
- Electrician's tape
- Connector(s) and installation tools

Safety Instructions

Warning: When installing electrical power system accessories, failure to follow applicable personal safety requirements and written installation instructions could result in serious or fatal injuries.

As Raychem has no control over field conditions which influence product installation, it is understood that the user must take this into account and apply his own experience and expertise when installing product.

Cleaning the Cable

Use an approved solvent, such as the one supplied in the P63 Cable Prep Kit, to clean the cable. Be sure to follow the manufacturer's instructions. Failure to follow these instructions could lead to product failure.

Some newer solvents do not evaporate quickly and need to be removed with a clean, lint-free cloth. Failure to do so could change the electrical characteristics of the cable or leave a residue on the surface.

Please follow the manufacturer's instructions carefully.

Installation Instructions

1. Select product.

Check kit selection with cable diameter dimensions in table 1 opposite.

Table 1

Kit	Nominal Conductor Size	Min/max Insulation ODs*
TFT-151E-SLC	#2-250 kcmil	0.64-1.09" (16-28mm)
TFT-152E-SLC	4/0-500 kcmil	0.85-1.45" (22-37mm)
TFT-153E-SLC	500-750 kcmil	1.06-1.70" (27-43mm)
TFT-154E-SLC	1000-1250 kcmil	1.49-2.20" (38-56mm)

*Insulation ODs and nominal conductor sizes are based on 100 and 133% compact and concentric stranded cable dimensions

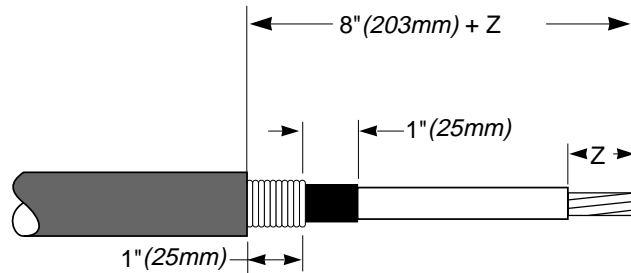
Installation Instructions

2. Prepare cables.

$$Z = \text{Depth of lug Barrel} + 1/4" (6\text{mm})$$

Prepare cables to the dimensions shown. When removing semi-con layer, be careful not to damage the cable insulation.

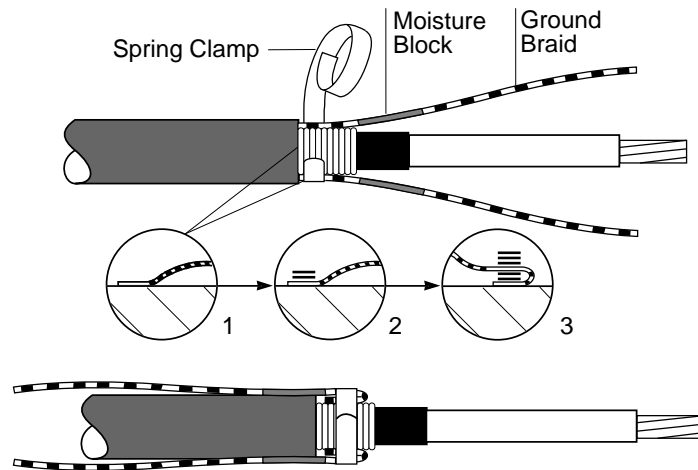
Remove the insulation to the dimension "Z" shown.



512

3. Install ground braid.

(1) Flare the moisture blocked ends of the ground braids and place them onto the LC shield butted up to the cable jacket. (2) Attach the braids to the shield by placing two wraps of the spring clamp over the braids. (3) Fold the braids back over the spring clamp wraps. Continue to wrap the remaining clamp over the braids. Tighten clamp by twisting it in the direction it is wrapped and secure with the copper foil tape provided.

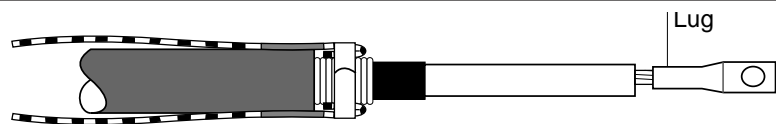


3089

517

4. Make Lug Connection

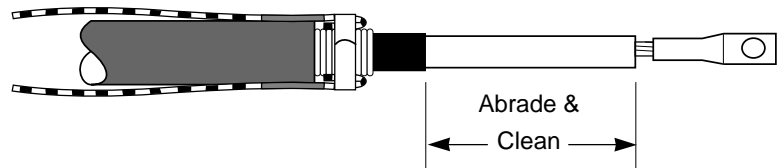
Crimp the connector using proper die and tool. Clean lug barrel of inhibitor and dirt and file off any sharp edges.



518

5. Abrade and clean insulation.

Abrade and clean the surface of the primary insulation using the solvent supplied with the termination or any other approved solvent. Be sure to remove any conductive particles or contamination.

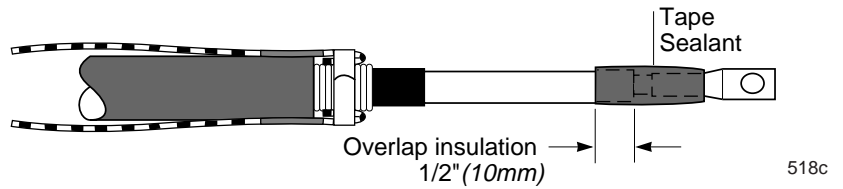


518b

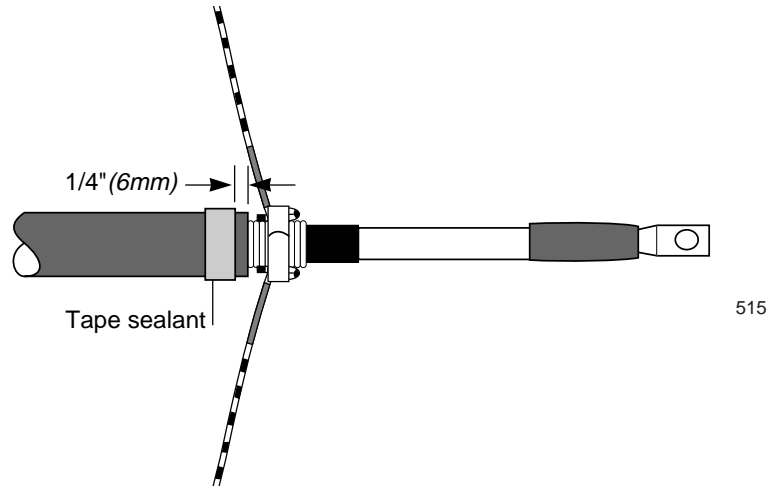
Installation Instructions

6. Install sealant.

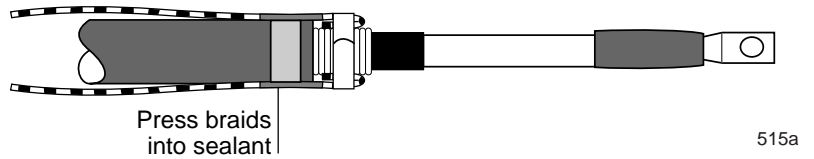
Build up the lug barrel diameter to that of cable insulation using tape sealant, then overlap tape sealant 1/2" (10mm) onto insulation to provide a smooth profile.



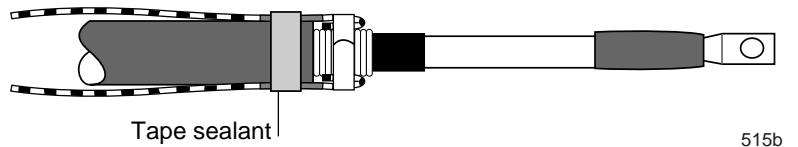
Solvent clean and abrade jacket. Using light tension, wrap one layer of sealant onto the cable jacket as shown.



Press the solder-blocked portion of the braid into the sealant.

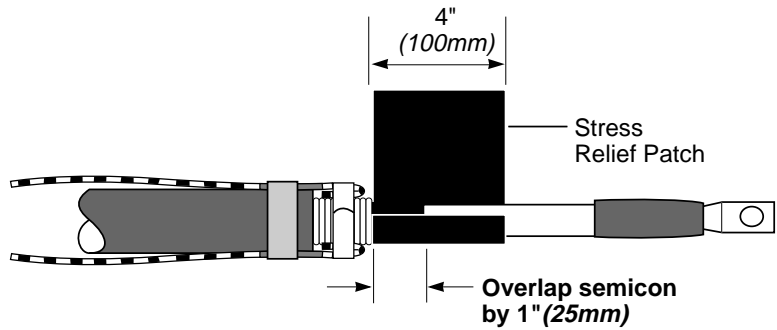


Wrap an additional layer of sealant over the braid solder block.



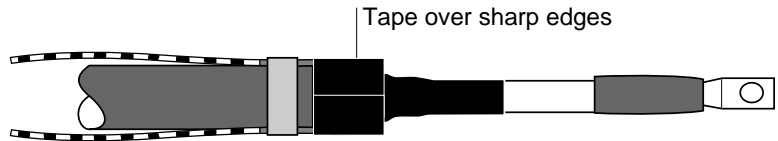
7. Apply Stress Patch

Note: The stress patch easily sticks to itself and loose particles. Remove backing paper from the patch. Using light tension, wrap the entire patch around the semi-con oriented as shown. Avoid wrinkles and creases.



8. Tape over sharp edges.

Using cloth tape provided, tape over all sharp edges of the ground clamp assembly and jacket cutback.



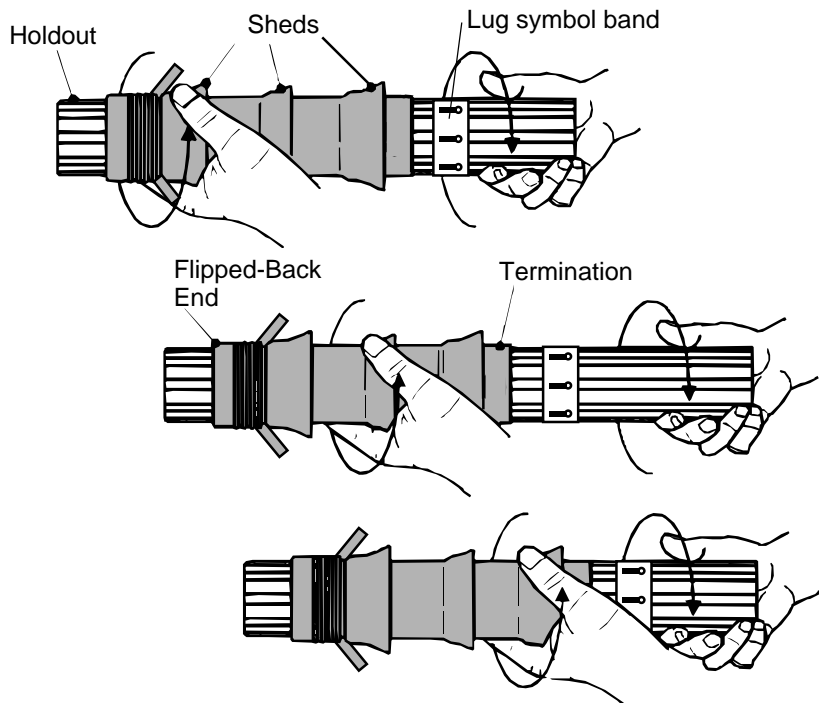
9. Loosening Termination

This operation is vital to the simple installation of the product.

Note that the sheds may be flipped backwards or forwards to ease the following operation and therefore may look different to that shown in the drawing. The orientation of the sheds is not important prior to fitting as they automatically align themselves after installation.

Hold the termination in one hand and the holdout in the other. Gripping firmly, twist the termination and holdout in opposite directions. Repeat twisting the termination and holdout, moving the hand in short increments up the termination until the entire termination is felt to move on the holdout.

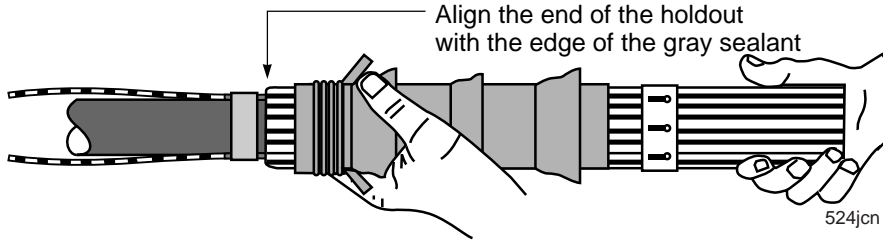
Take care not to slide the termination off the end of the holdout.



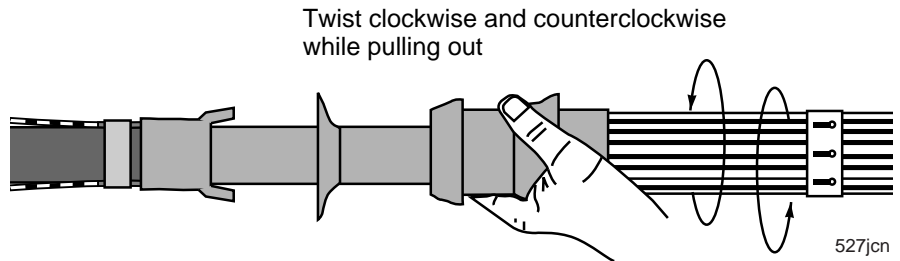
Installation Instructions

10. Installing termination.

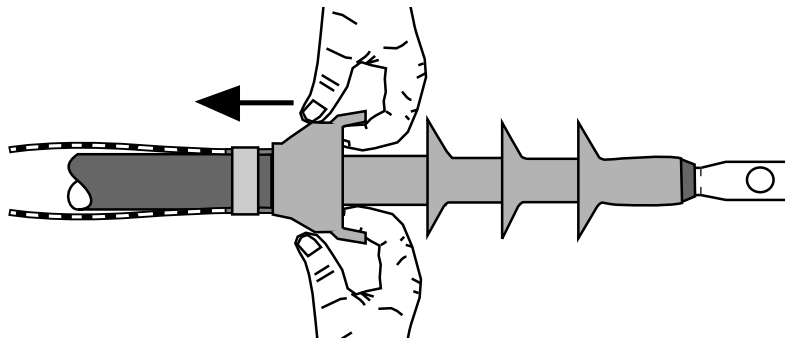
Position the holdout over the cable until it meets the jacket cutback. Twist the termination and slowly push it to the end of the holdout.



Slide the termination completely off the holdout using a twisting and pulling motion as shown.



Using the pull tabs, pull the flip-back portion away from the main termination, at the same time working the first two fingers of each hand between the flip back and main termination. Pull the stretched out flip back over the cable jacket and sealant.



If after installation the termination is not correctly positioned, it is possible to gently slide it into place, so that the final assembly is positioned as shown in the drawing in step 11.

11. Complete termination.

Wipe over the surface of the termination to remove any dirt or grease.

Note: Be sure to position termination at lug end so that there is a bead of sealant exposed as shown.

This completes the installation.

