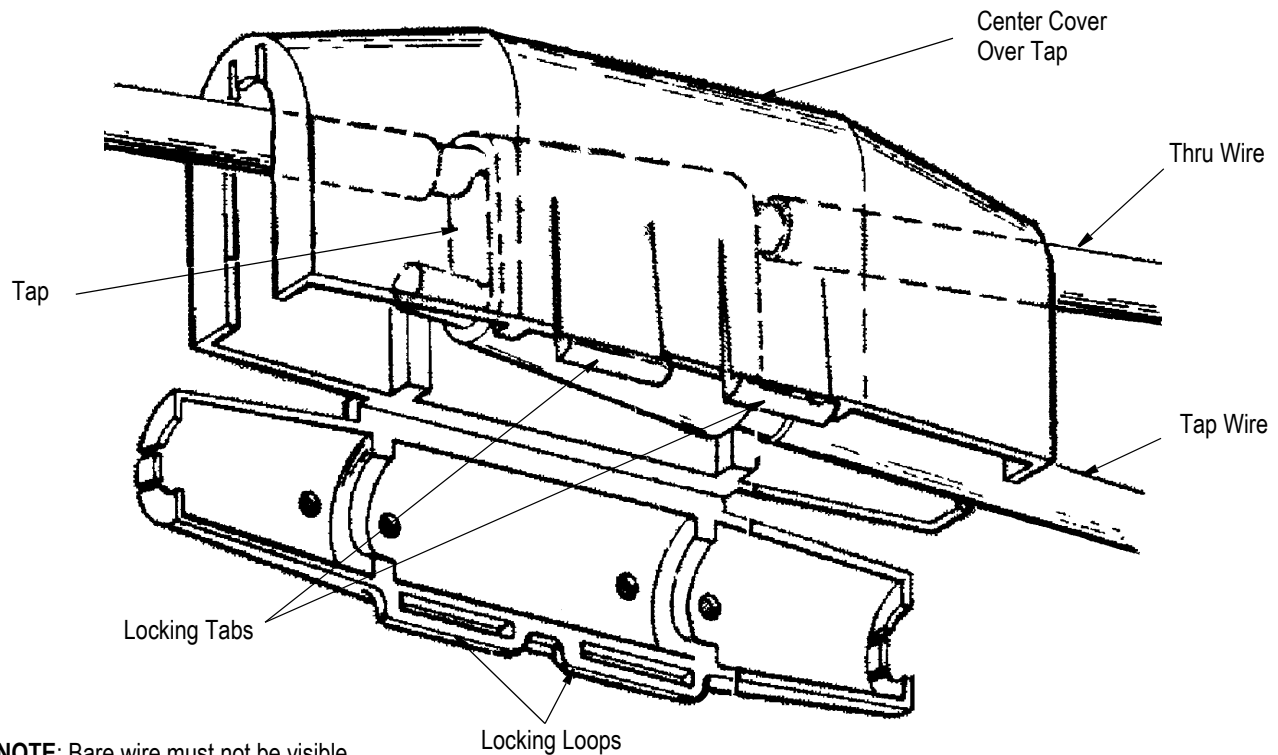


AMPACT* Tap Covers


NOTE: Bare wire must not be visible.

COVER SELECTION

| TAP SIZE | COLOR | WIRE STRIP LENGTH | | PART NUMBER (BLACK) |
|------------------------|--------|-------------------|--------|------------------------|
| | | mm | INCHES | |
| Small | Red | 82.6 | 3 1/4 | 602061 |
| Type II | White | 82.6 | 3 1/4 | 83364-1 |
| Medium, 226.8, and 350 | Blue | 108 | 4 1/4 | 602080 |
| 336.4, 477, and 556.5 | Yellow | 152 | 6 | 602107 |
| 795 and 1033.5 | Yellow | 165 | 6 1/2 | 602284 |

Figure 1

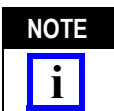
1. INTRODUCTION

AMPACT Tap Covers are designed for use when applying a tap to covered wire.

Reasons for reissue are in Section 5, REVISION SUMMARY.

2. CABLE PREPARATION

- Strip the cable to the dimensions shown in Figure 1.

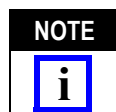


Dimensions listed are maximums. Do NOT strip the wire any longer than required to properly locate the tap in the tool.

- Use a wire brush to remove foreign matter (oxidation, etc.) from the conductor.

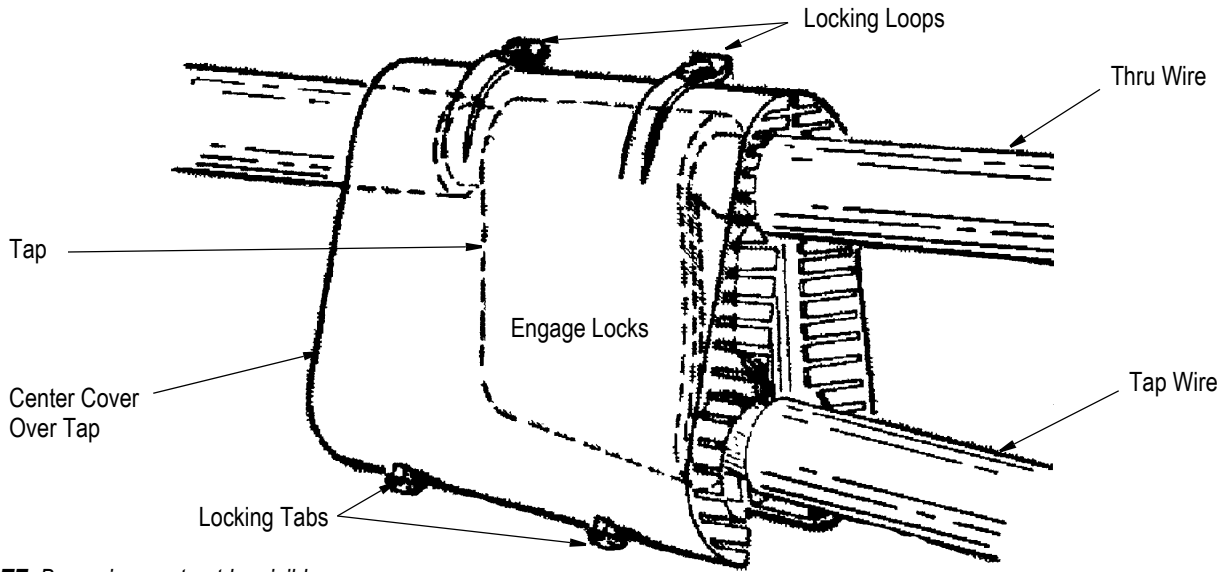
3. COVER INSTALLATION

- Apply tap as described in the instructional material packaged with the AMPACT tool.



Make certain tap is centered in stripped area.

- Select correct cover from Figure 1.
- Install the one-piece cover as follows:
 - Hook the cover over the tap as shown in Figure 1.



NOTE: Bare wire must not be visible.

Figure 2

- b. Make certain the cover is centered over the tap.
- c. Close the cover and engage the locks.
4. Install the two-piece cover as follows:
 - a. Place the cover halves together and engage the locks on top of the cover as shown in Figure 2.
 - b. Center the hinged cover over the tap.
 - c. Close the bottom of the cover and engage the locks.

2. Use a second screwdriver to carefully pry the tab loose.
3. Repeat steps 4.1 and 4.2 for each tab.
4. Remove the cover from the tap.
5. On two-piece covers, lift the locking loops from the locking tabs on bottom cover halves. See Figure 2.
6. Remove the cover from the tap.



CAUTION Examine the tap cover before re-use to ensure that the retaining edges of the locking tabs and locking loops have not been damaged or worn by previous removal. If damaged or excessively worn, a new cover must be installed.

4. COVER REMOVAL

1. On one-piece covers, insert the screwdriver between the locking tab and the locking loop. See Figure 3.

5. REVISION SUMMARY

Revisions to this document include:

- Updated document to corporate requirements
- Transposed Figure 2 and Figure 3 to agree with order of procedures in document.

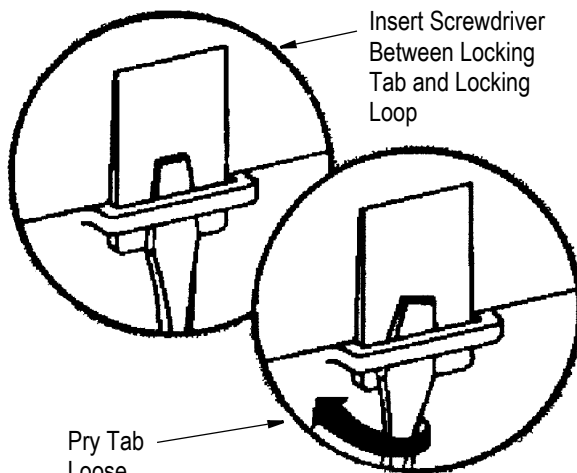


Figure 3