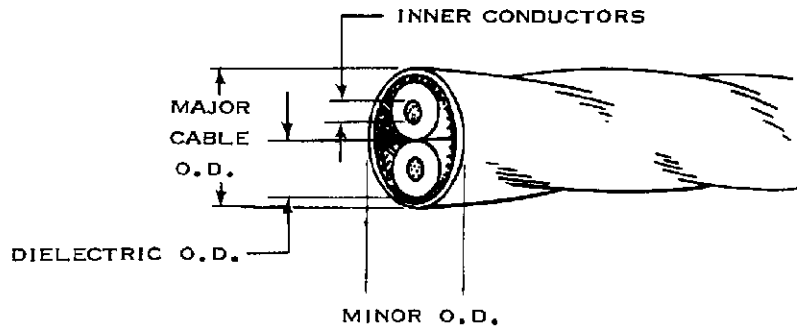




A-MP* TWIN COAXICON*
CONTACT & CABLE
SELECTION CHART

GP-1904	
RELEASED	3-25-66
REVISED	1-8-68



DIELECTRIC O.D.	STEP I		STEP II				STEP III		STEP IV		FOLLOW STEPS I THRU IV TO DETERMINE THE USE OF ITEMS BELOW							
	.082 MAX.	INNER CONDUCTORS				MAJOR CABLE O.D.		OUTER SHIELD		FERRULE NO. & COLOR	MALE & FEMALE CONTACT	CONTACT INSULATOR COLOR	ALIGNMENT † BUSHING NO. & COLOR	TOOL				
		STANDARD GOLD (.000030)	HEAVY GOLD (.000100)			WITH SUP.	NO SUP.	SINGLE BRAID	FOIL W/GROUND WIRE					CRIMPING TOOL NO.	CRIMPING DIE NO.	NOM. BRAID CRIMP O.D.	NOM. INS. CRIMP O.D.	
	X	X					X	X	X	X	329056 RED W/ BLACK STRIPE	329054 329055	RED	330576-YELLOW	45707-4	69494-1	.254	.151
	X	X					X	X	X	X	329041 NATURAL	329054 329055	RED	329053-NATURAL	45707-2	69231-2	.254	.224
	X		X				X	X	X	X	329041 NATURAL	329009 329010	NATURAL	329053-NATURAL	45707-2	69231-2	.254	.224
	X		X				X	X	X	X	329056 RED W/ BLACK STRIPE	329009 329010	NATURAL	330576-YELLOW	45707-4	69494-1	.254	.151
	X			X			X	X	X	X	329041 NATURAL	2-329009-1 2-329010-1	YELLOW	329053-NATURAL	45707-2	69231-2	.254	.224
	X			X			X	X	X	X	329056 RED W/ BLACK STRIPE	2-329009-1 2-329010-1	YELLOW	330576-YELLOW	45707-4	69494-1	.254	.151
	X				X		X	X	X	X	329056 RED W/ BLACK STRIPE	2-329054-2 2-329055-2	BLUE	330576-YELLOW	45707-4	69494-1	.254	.151
	X					X	X	X	X	X	329041 NATURAL	2-329054-2 2-329055-2	BLUE	329053-NATURAL	45707-2	69231-2	.254	.224

© 1966 by AMP Incorporated. All international rights reserved. A-MP products covered by U. S. and foreign patents and/or patents pending.

† ALIGNMENT BUSHINGS ARE NOT REQUIRED WHEN RETENTION CLIP NO. 330617 IS USED.
ALIGNMENT BUSHINGS ARE USED ONLY WITH RETENTION SPRING NO. 329042.