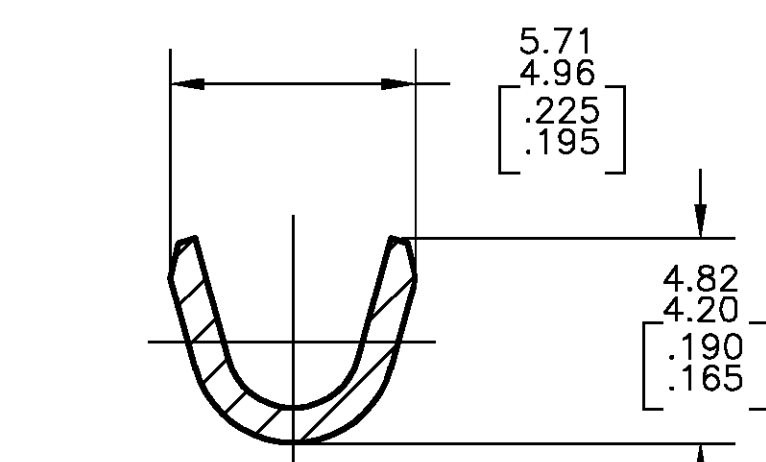
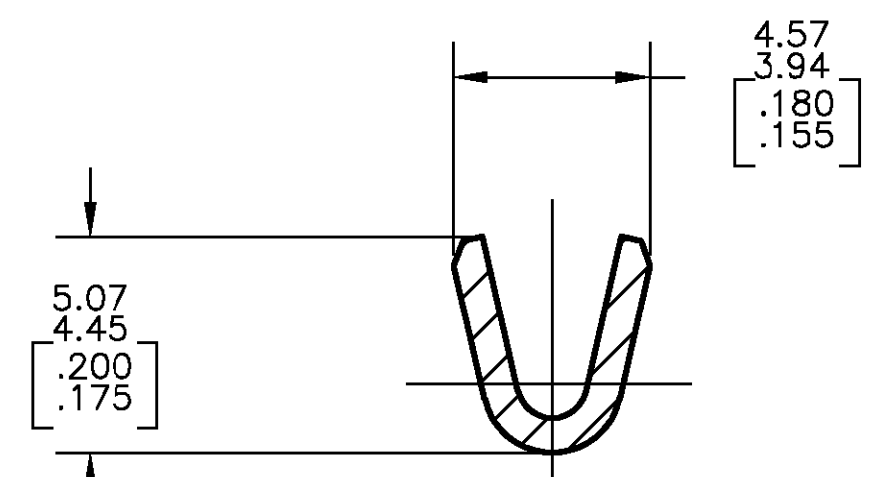
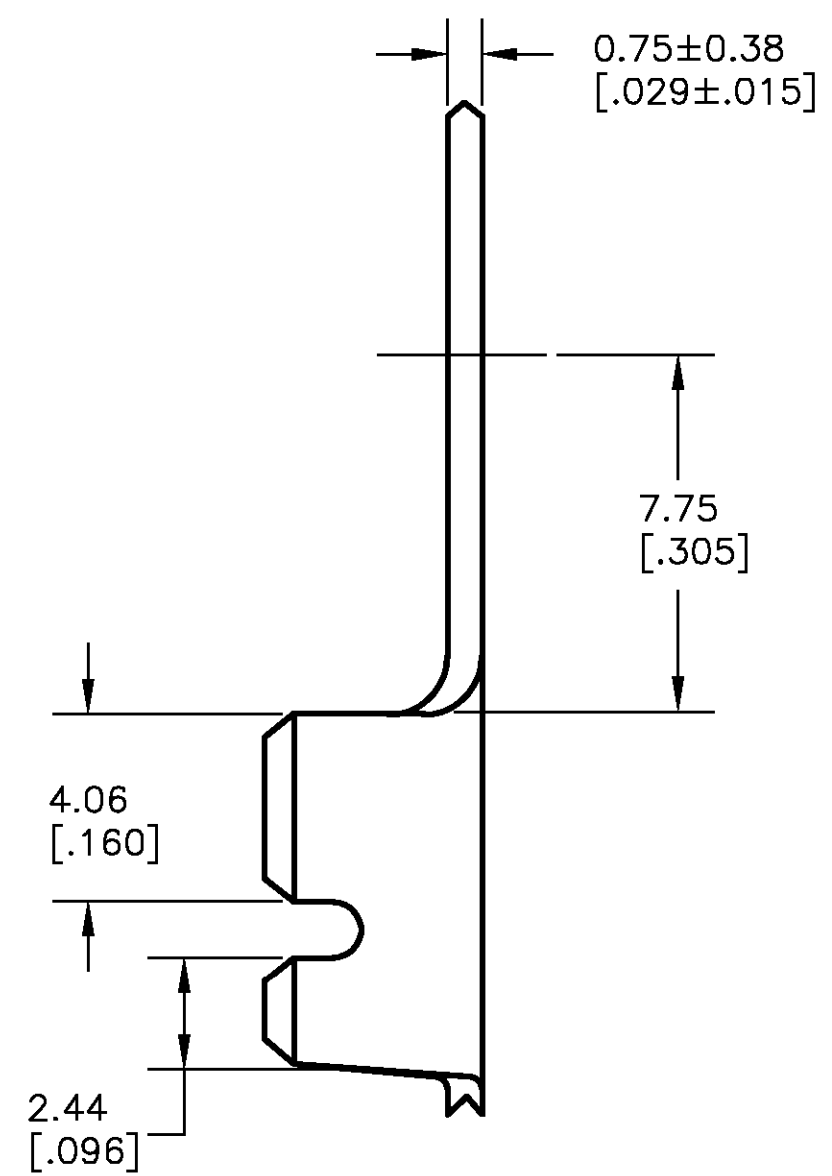
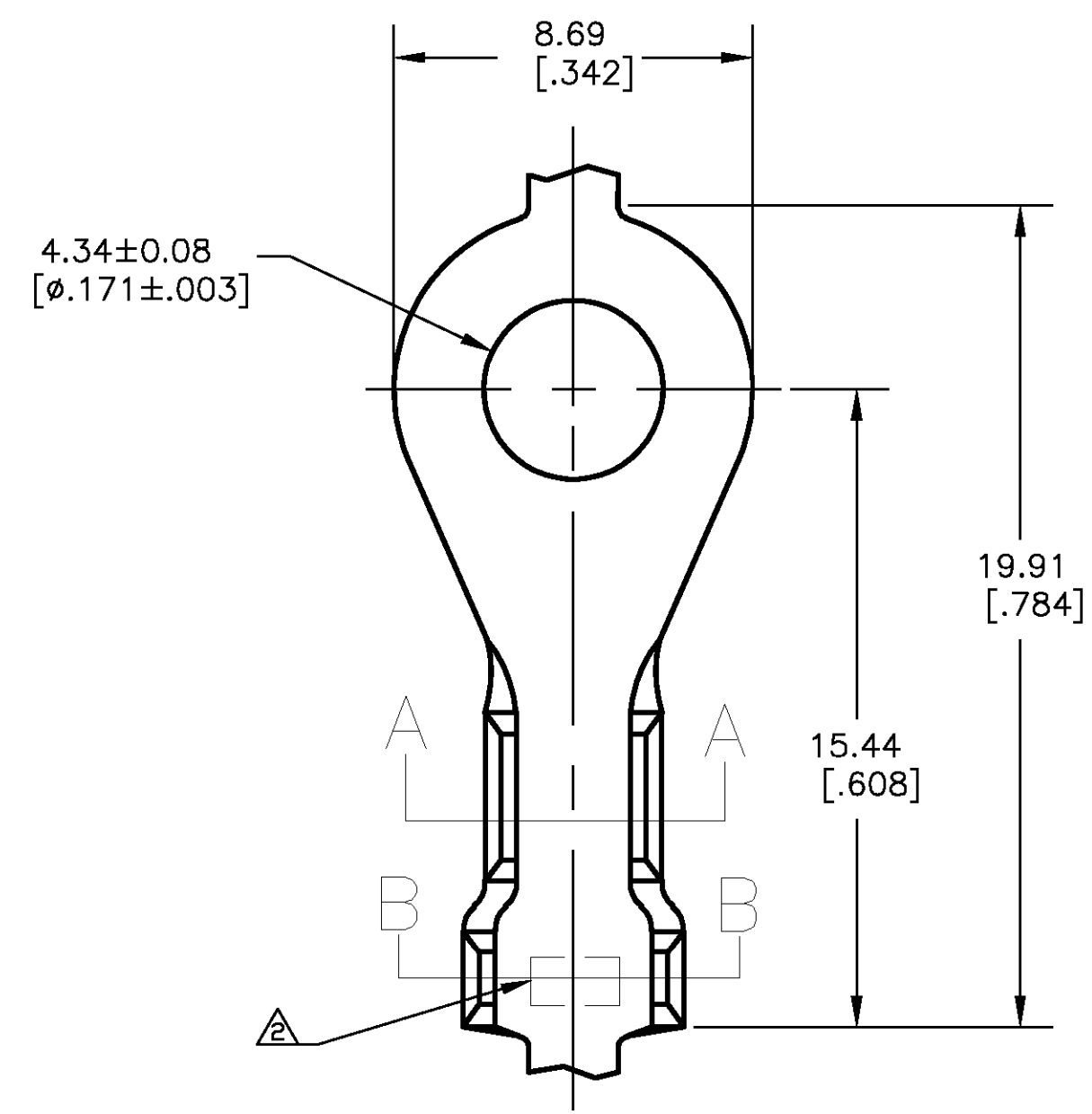


THIS DRAWING IS UNPUBLISHED. RELEASED FOR PUBLICATION  
 BY TYCO ELECTRONICS CORPORATION. ALL RIGHTS RESERVED.

LOC	DIST	REVISIONS			
P	LTR	DESCRIPTION	DATE	DWN	APVD
AF	50	W	REDRAWN PER OG3A-0198-01	04APR01	MF DD



- 1 CONTINUOUS STRIP ON REELS.
- △ AMP STAMP.

0.8-2.0mm <sup>2</sup> [18-14] AWG	2.54-3.56 [.100-.140] DIA	40660
WIRE RANGE	INSULATION RANGE	PART NUMBER

THIS DRAWING IS A CONTROLLED DOCUMENT.		DWN MICHAEL S. FEHER 26JAN2001	Tyco Electronics Corporation Harrisburg, PA 17105	
DIMENSIONS: mm [ INCHES ]		CHK DONALD DECKER 04APR2001		
TOLERANCES UNLESS OTHERWISE SPECIFIED:		APVD DONALD DECKER 04APR2001		
0 PLC ± -	1 PLC ± -	PRODUCT SPEC	M4 - #8 STUD, TERMINAL, TONGUE, RING	
2 PLC ± 0.25[.010]	3 PLC ± -	APPLICATION SPEC	SIZE	CAGE CODE
4 PLC ± -	ANGLES ± 1°	FINISH	A2	00779
MATERIAL 082 BRASS	WEIGHT	CUSTOMER DRAWING	DRAWING NO 40660	
			RESTRICTED TO	
			SCALE	SHEET
			6:1	1 OF 1
				REV W

40660

A