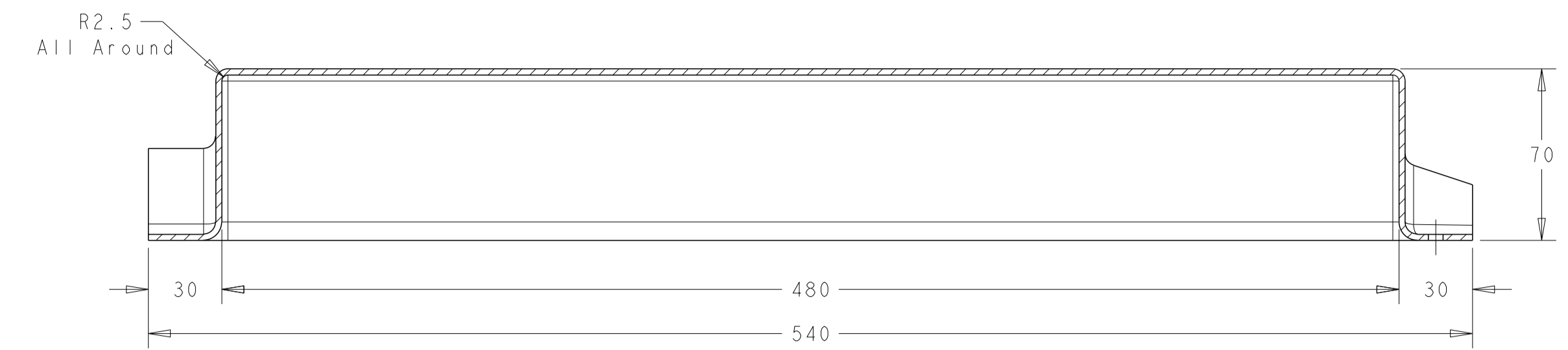
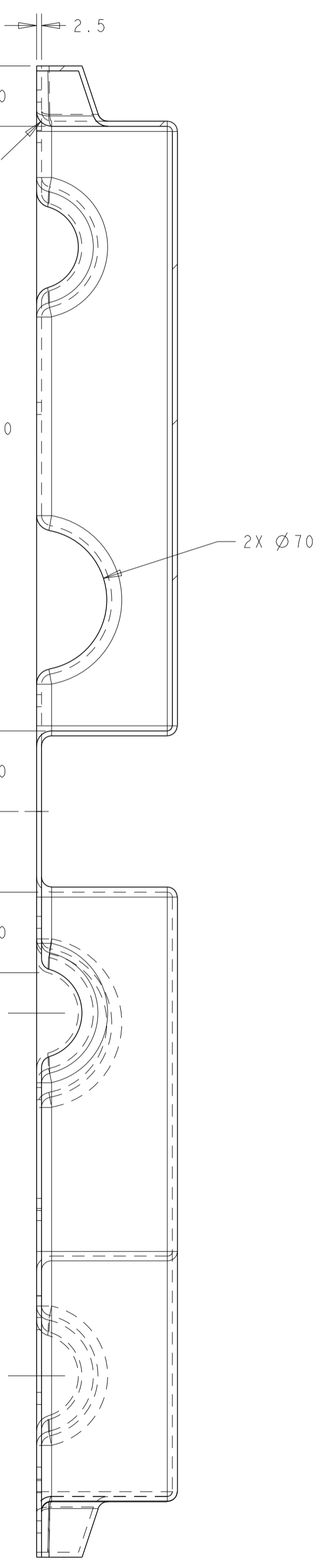
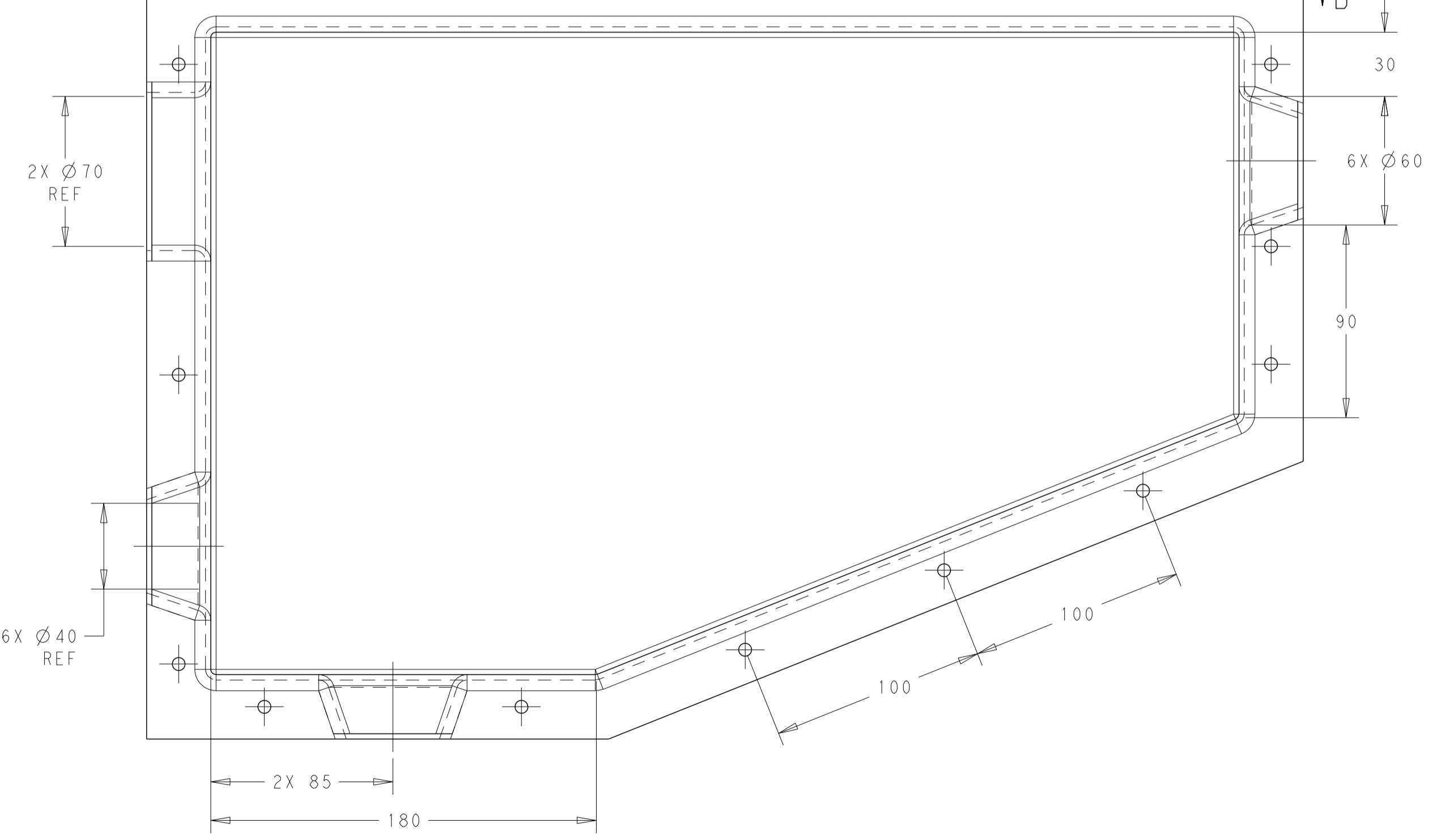
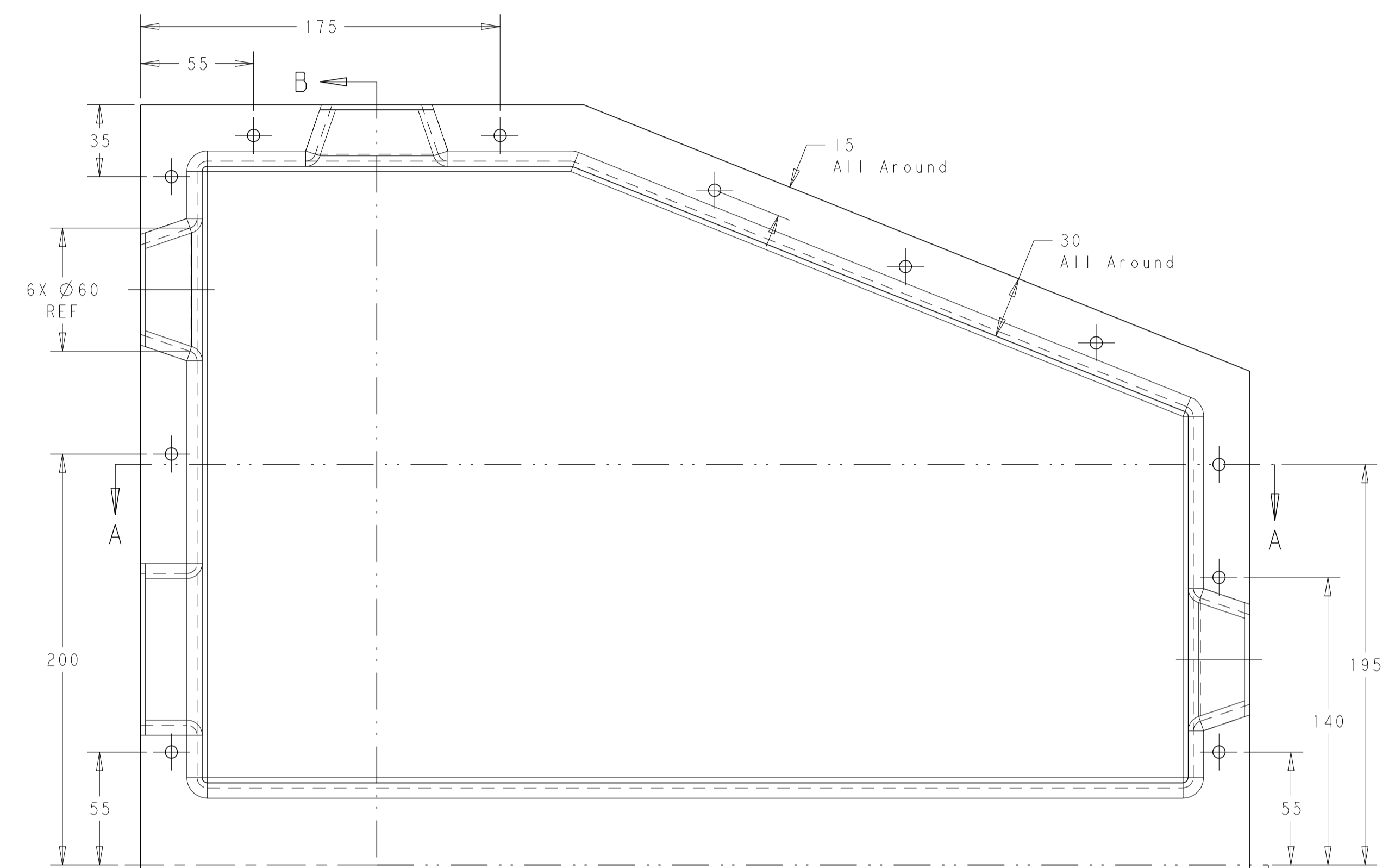


REVISIONS				
P	LTN	DESCRIPTION	DATE	APVD
A		NEW DRAWING	10SEP2013	KR IB
B		STRUCTURE OF INSULATING AREA HAS MODIFIED	06NOV2013	KR IB
C		TWO NEW CABLE EXIT HOLES ARE ADDED	13DEC2013	KR IB
D		DISTANCE BETWEEN TWO HALVES IS INCREASED	02JUL2014	KR IB



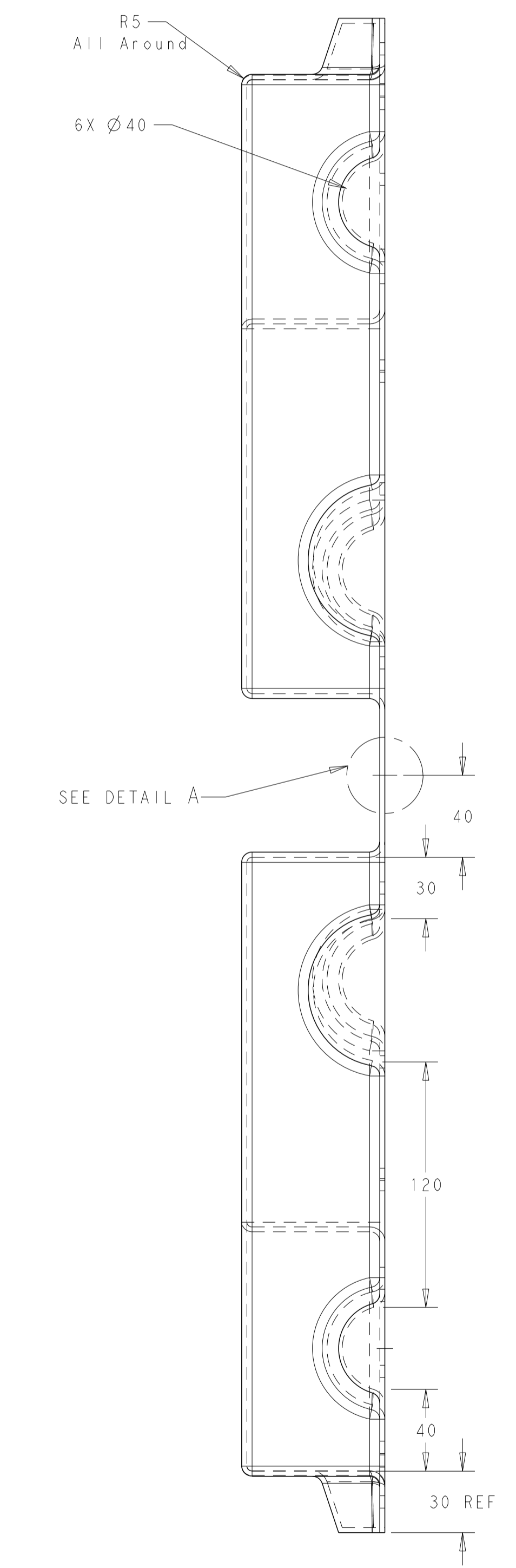
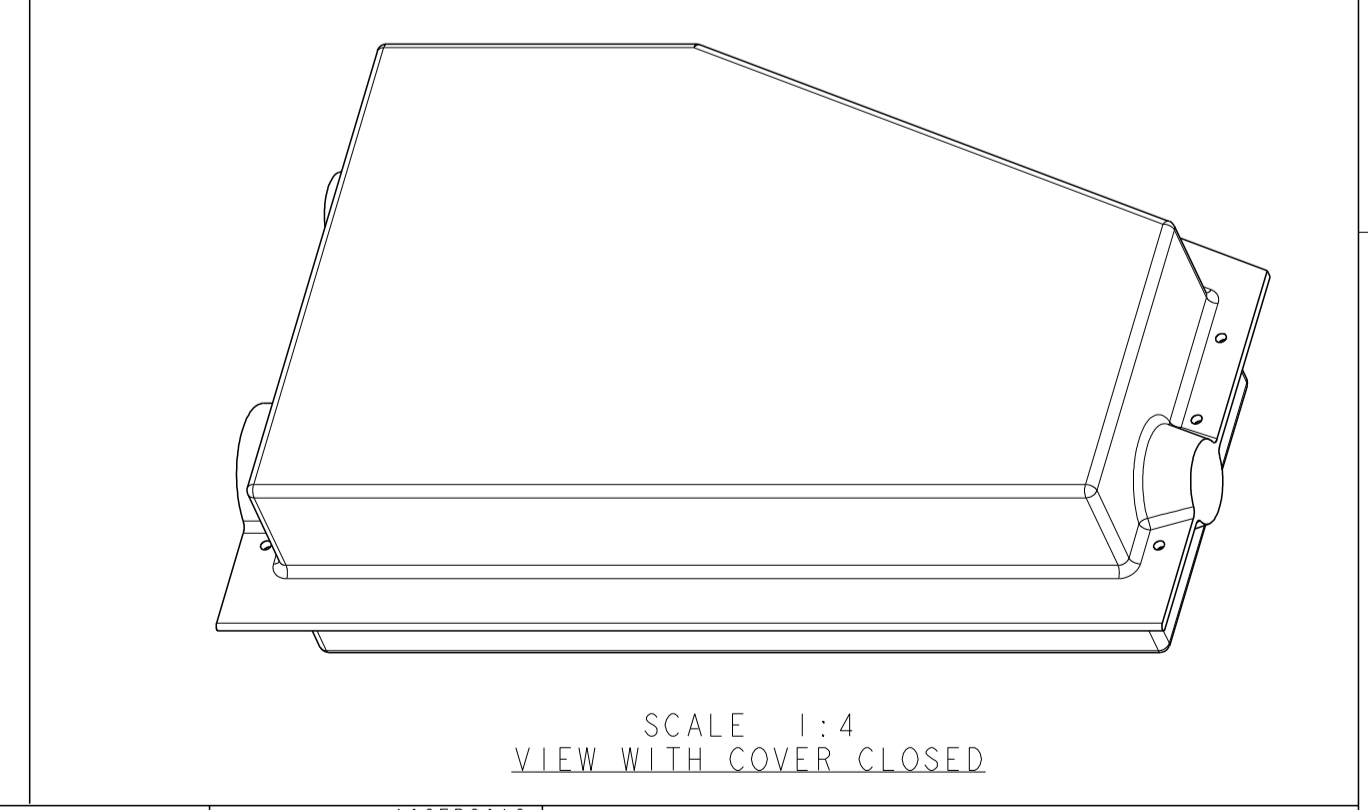
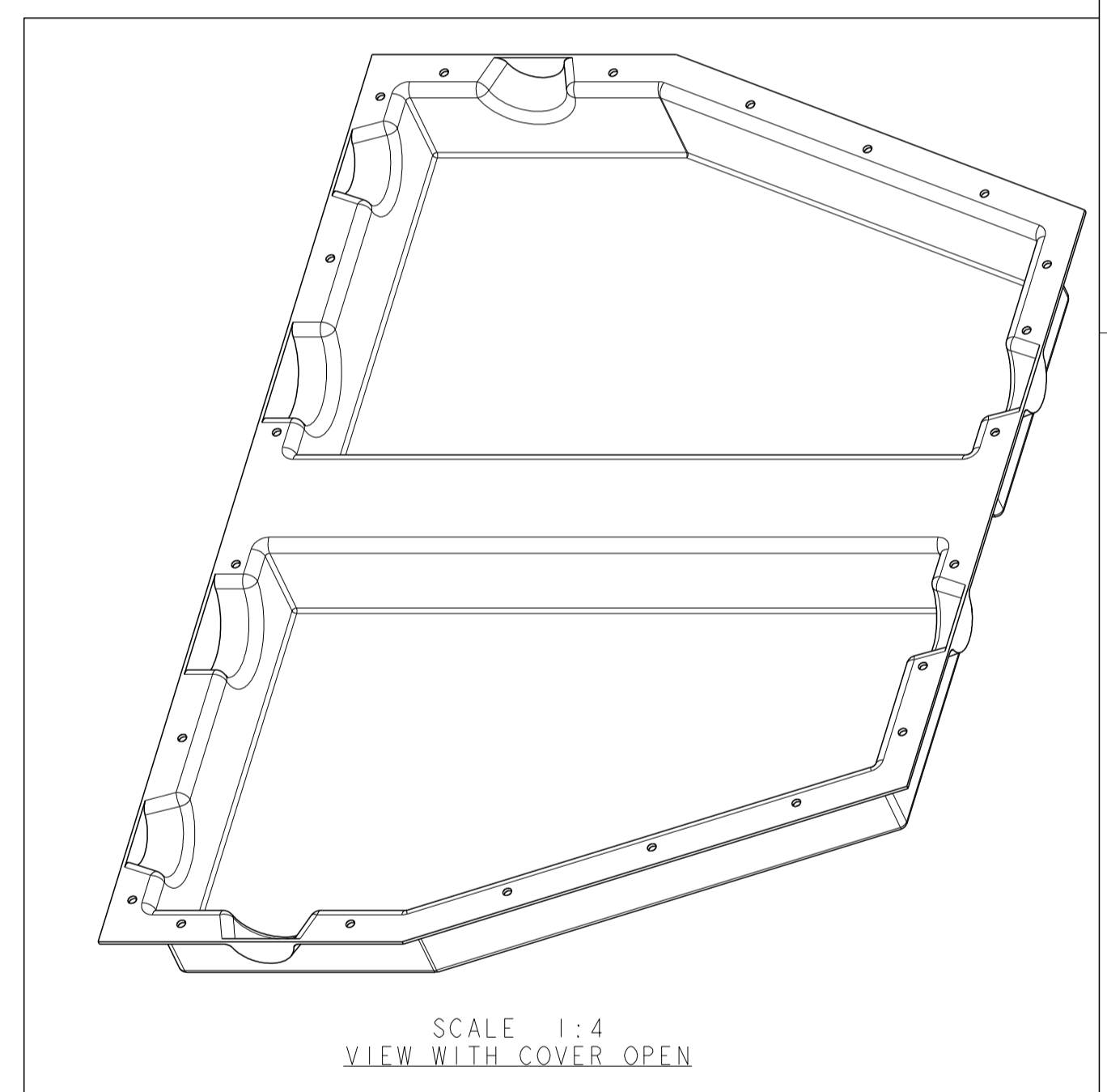
SECTION A-A



SECTION B-B

- NOTES:
1. MATERIAL: RAYCHEM RED BCIS
 2. WALL THICKNESS 2.0mm MINIMUM
 3. TOLERANCE +/-3mm UNLESS OTHERWISE STATED
 4. NO HINGE SPLITTING PERMISSABLE
 5. HOLES SHALL ALIGN WHEN CLOSED
 6. EACH PART SHALL BE EMBOSSED OR STAMPED WITH THE TE CONNECTIVITY \ RAYCHEM PART DESCRIPTION AT LEAST 3mm HIGH: BCIC-H3-2-7
 7. EACH BOX TO INCLUDE 12 PCS OF BCIC COVER.
 8. EACH BOX TO INCLUDE 132PCS BCIC LATCHES
 9. EACH BOX TO BE LABELLED WITH PART DESCRIPTION, BATCH NUMBER AND MANUFACTURE DATE: BCIC-H3-2-7(B12).

DETAIL-A; CONTINUOUS BENT HINGE.



THIS DRAWING IS A CONTROLLED DOCUMENT.		OWN: RAGHU 10SEP2013	TE Connectivity	
DIMENSIONS: mm		CHK: B. DONALD 10SEP2013	NAME: BCIC-H3-2-7(B12)	
TOLERANCES UNLESS OTHERWISE SPECIFIED:		APVD: J. BOND 10SEP2013	SIZE: A1	
0 PLC ±0.5		PRODUCT SPEC	CAGE CODE: -	
2 PLC ±0.13		APPLICATION SPEC	DRAWING NO: C=4-1899792-1	
3 PLC ±0.013		WEIGHT	RESTRICTED TO: -	
4 PLC ±0.0001		Customer Drawing	SCALE: 1:2	
ANGLES ±0.0001			SHEET 1 OF 1	
FINISH			REV D	