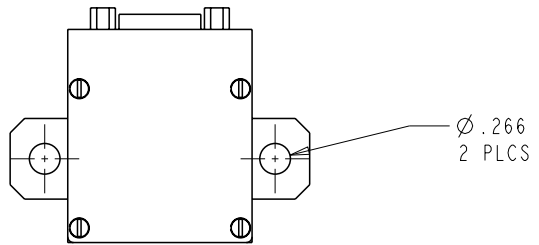
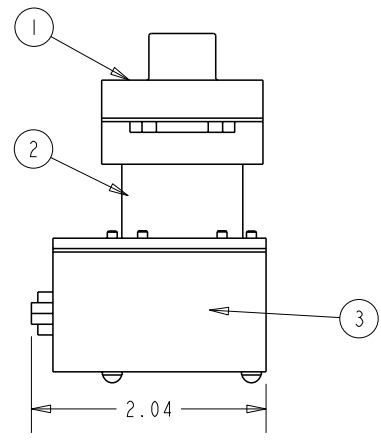
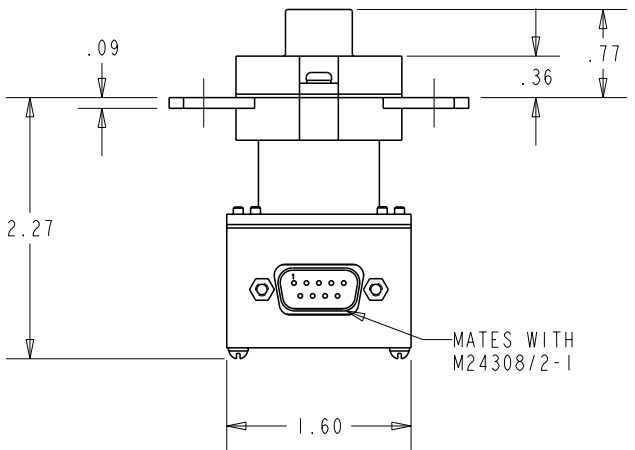
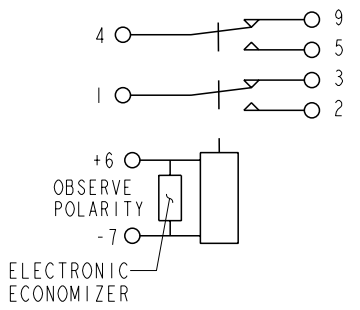
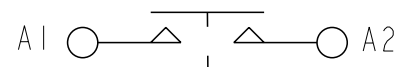
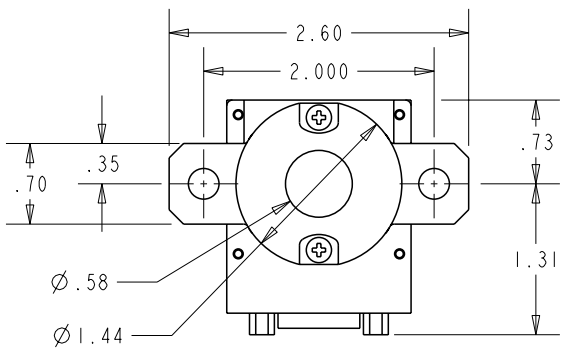


REVISIONS		RELEASED		APPROVED
REV.	DESCRIPTION	DATE		
A	RELEASE TO PRODUCTION FROM REV.6	15/08/06		RSS
B	18-017475 CORRECTED MATING CONNECTOR CALLOUT	18/11/06		AH



**CONSTRUCTION** GASKET SEALED

**MAIN CONTACTS CONFIGURATION** SPST N.O. DOUBLE MAKE  
**VOLTAGE** 28 VDC  
**CURRENT** RESISTIVE 200 AMPS  
 MOTORLOAD 125 AMPS  
 RUPTURE 2000 AMPS

**COIL DATA**  
**DUTY CYCLE** CONTINUOUS (ECONOMIZED)  
**NOM. OPERATE VOLTAGE** 28 VDC  
**PICKUP VOLTAGE** 18 VDC MAX  
**DROP VOLTAGE** 1-9 VDC  
**PICKUP TIME** 15 mS  
**DROPOUT TIME** 15 mS  
**COIL CURRENT**  
 INRUSH 5 AMPS MAX AT 28 VDC & 25°C  
 HOLDING 300 mA MAX AT 28 VDC & 25°C  
 SUPPRESSION ±45 VDC

**AUX CONTACTS CONFIGURATION** 2 SPDT  
**VOLTAGE** 28 VDC  
**CURRENT RES.** 3 AMPS.

**ENVIRONMENTAL DATA**  
**TEMPERATURE** - 55° C TO + 85°C  
**ALTITUDE** 50,000 FEET

**LIFE ELECTRICAL** 50,000 CYCLES MIN.  
**LIFE MECHANICAL** 100,000 CYCLES MIN.  
**MAX WEIGHT** .40 LBS

3	I	48103-002	SCHEMATIC DIAGRAM			8-1616990-3	
2	I	48102-002	NAME PLATE			1-1616972-3	
1	I	48057-040	PRIMARY ASSEMBLY			1616972-3	
FIND NO	QTY RECD	PART OR IDENTIFYING NO	NOMENCLATURE OR DESCRIPTION	DRAWING OR SPECIFICATION	FSCM NO	TE PART NO	MATERIAL OR NOTE

UNLESS OTHERWISE SPECIFIED DIMENSIONS ARE IN INCHES TOLERANCES ON

2 PL DEC.	±.06	13 PL DEC.	±.010	ANGLES	± 1°
-----------	------	------------	-------	--------	------

**TE**  
 Hartman Division 175 N. DIAMOND STREET MANSFIELD, OHIO 44902

DR BY	RV	15/08/06
CHK BY	MDM	15/08/07
ENGR	RSS	15/08/06
MFG	DWA	15/08/10

CONTACTOR - SPST N.O. DB  
 200 AMP, 28 VDC

SIZE	A	CODE IDENT	74063	DWG NO.	K200B3C02
------	---	------------	-------	---------	-----------

SCALE NONE SHEET 1 OF 1 REF TE PN 4-1616968-7