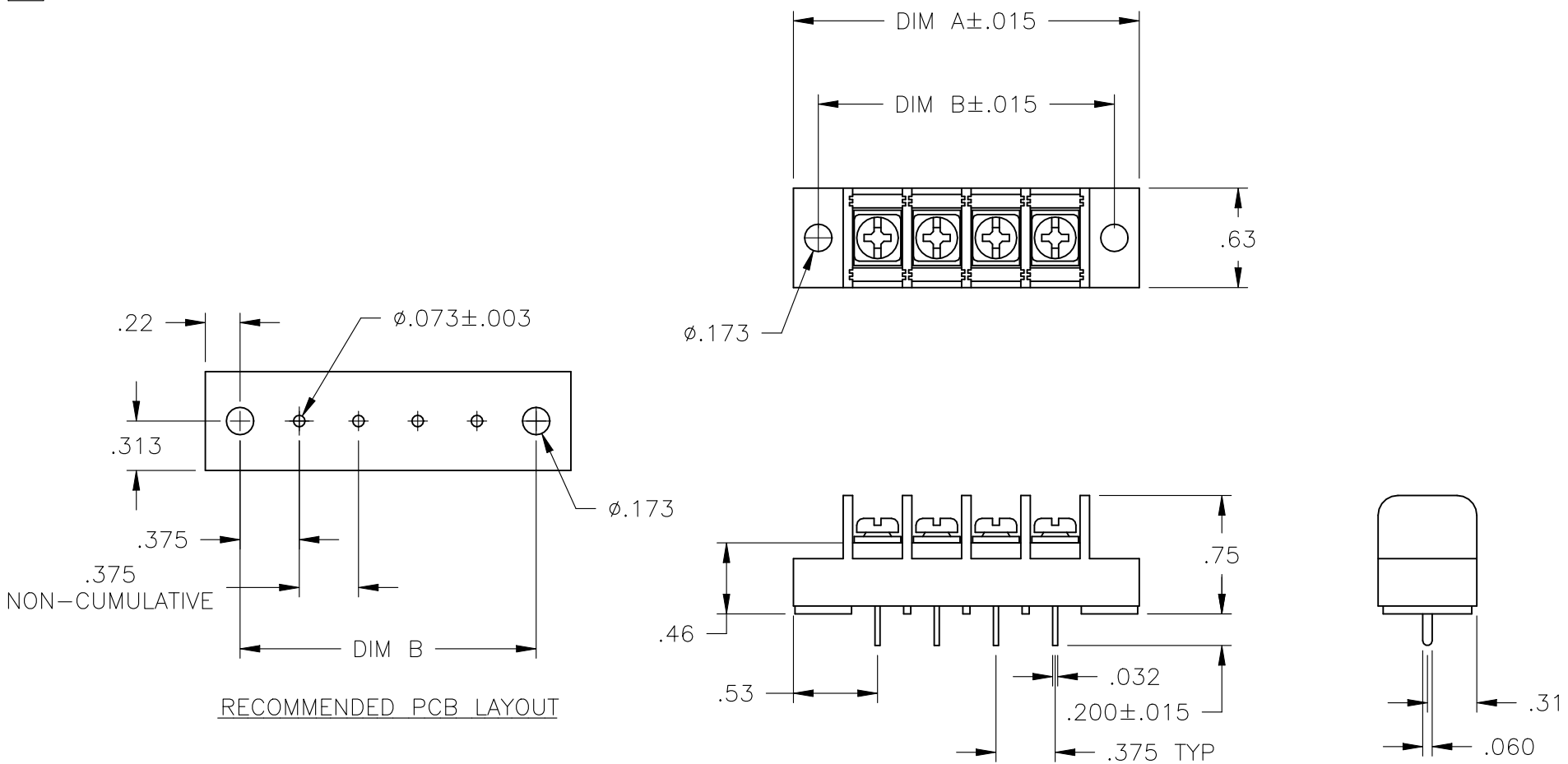


MATERIAL:
 HOUSING: THERMOPLASTIC, UL94V-0, BLACK.
 TERMINALS: BRIGHT TIN OVER COPPER ALLOY.
 SCREWS: #6-32 STEEL, ZINC PLATING W/ CLEAR CHROMATE.

ELECTRICAL:
 RATED CURRENT UL/CSA:
 CLASS C: 20A, 300V
 CLASS D: 5A, 600V
 WIRE RANGE: 12-22 AWG

MECHANICAL:
 RECOMMENDED TORQUE: 7 IN-LB.
 OPERATING TEMP.: 105°C MAX.

1 MARK WITH PERMANENT INK.

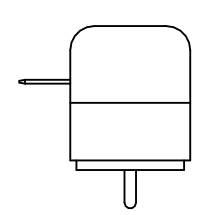
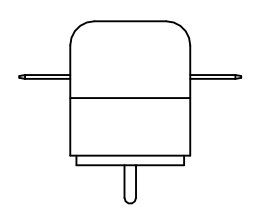
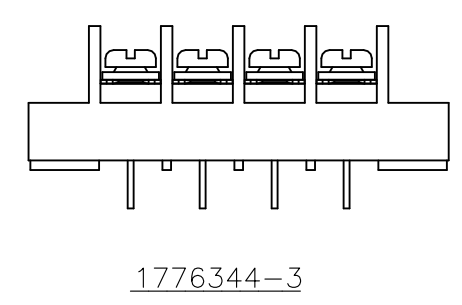
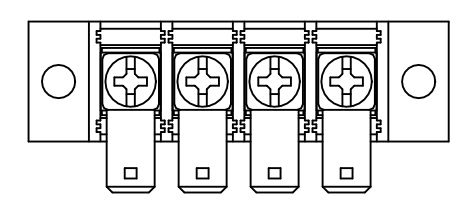
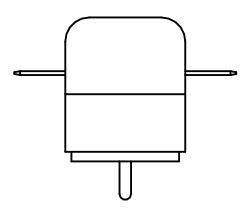
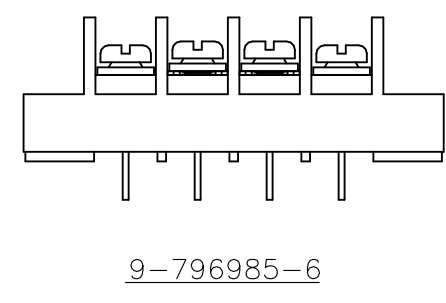
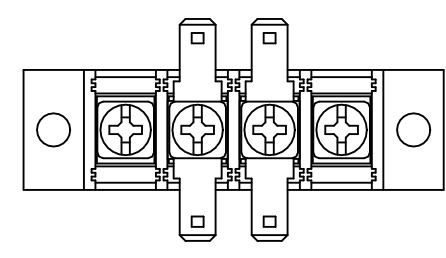
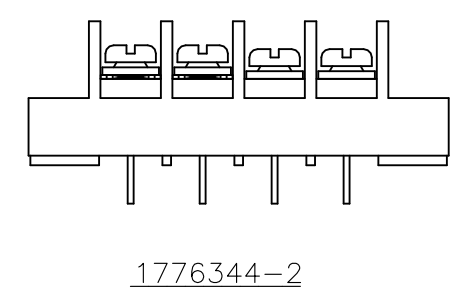
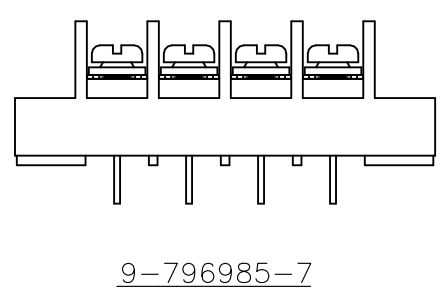
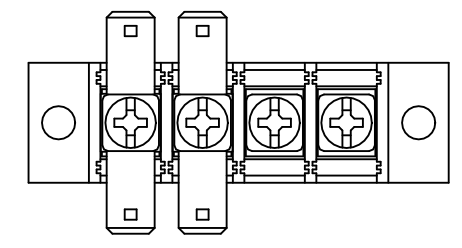
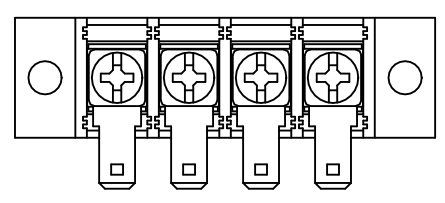
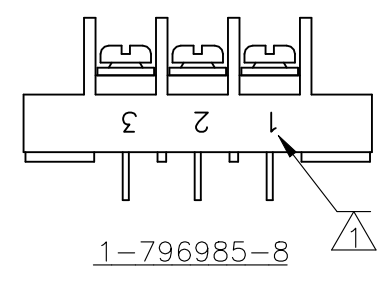
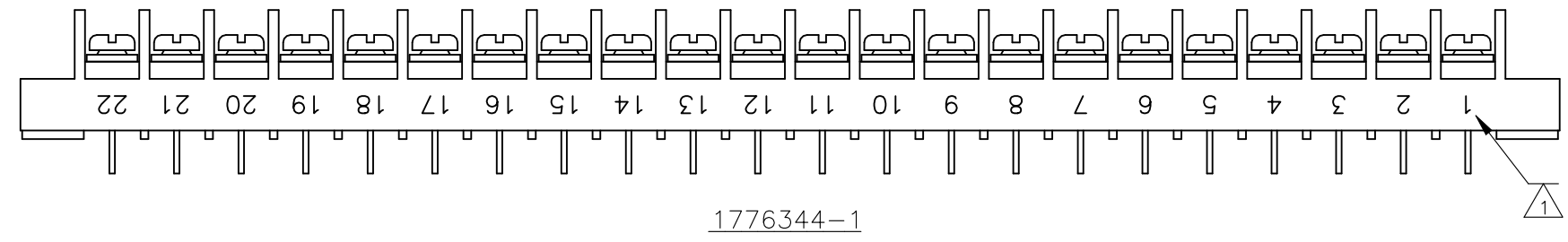



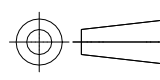
REVISIONS					
P	LTR	DESCRIPTION	DATE	DWN	APVD
	D1	OBSOLETING THE PN 9-796985-7	29SEP2023	SP	PS

	DIM. "B"	DIM. "A"	NO. OF POS.	CATALOG PART NO.	PART NUMBER
OBSOLETE	9.000	9.314	23	JC6-P208-23	6-796985-5
SEE FIGURE	8.625	8.939	22	JC6-P208-22-224	1776344-1
	8.625	8.939	22	JC6-P208-22	6-796985-4
OBSOLETE	8.250	8.564	21	JC6-P208-21	6-796985-3
OBSOLETE	7.875	8.189	20	JC6-P208-20	6-796985-2
OBSOLETE	7.500	7.814	19	JC6-P208-19	6-796985-1
	7.125	7.439	18	JC6-P208-18	2-796985-0
OBSOLETE	6.750	7.064	17	JC6-P208-17	6-796985-0
OBSOLETE	6.375	6.689	16	JC6-P208-16	5-796985-9
	6.000	6.314	15	JC6-P208-15	1-796985-9
OBSOLETE	5.625	5.939	14	JC6-P208-14	5-796985-8
OBSOLETE	5.250	5.564	13	JC6-P208-13	5-796985-7
	4.875	5.189	12	JC6-P208-12	5-796985-6
	4.500	4.814	11	JC6-P208-11	5-796985-5
	4.125	4.439	10	JC6-P208-10	5-796985-4
	3.750	4.064	9	JC6-P208-09	4-1437665-6
	3.375	3.689	8	JC6-P208-08	5-796985-3
	3.000	3.314	7	JC6-P208-07	5-796985-2
	2.625	2.939	6	JC6-P208-06	4-1437665-5
	2.250	2.564	5	JC6-P208-05	4-1437665-4
SEE FIGURE	1.875	2.189	4	JC6-P208-04-505	1776344-3
SEE FIGURE	1.875	2.189	4	JC6-P208-04-504	1776344-2
OBSOLETE	1.875	2.189	4	JC6-P208-04-503	9-796985-7
SEE FIGURE	1.875	2.189	4	JC6-P208-04-500	9-796985-6
	1.875	2.189	4	JC6-P208-04	4-1437665-3
SEE FIGURE	1.500	1.814	3	JC6-P208-03-172	1-796985-8
	1.500	1.814	3	JC6-P208-03	4-1437665-2
	1.125	1.439	2	JC6-P208-02	4-1437665-1

THIS DRAWING IS A CONTROLLED DOCUMENT.		DWN S. SCHLEGEL 5/7/03	TE Connectivity Ltd.			
DIMENSIONS: INCHES		CHK S. YODER 5/7/03				
TOLERANCES UNLESS OTHERWISE SPECIFIED:		APVD S. YODER 5/7/03	NAME			
0 PLC ± - 1 PLC ± - 2 PLC ± .01 3 PLC ± - 4 PLC ± - ANGLES ± -		PRODUCT SPEC	JC6-P208-XX ASSEMBLY			
MATERIAL		APPLICATION SPEC	SIZE	CAGE CODE	DRAWING NO	RESTRICTED TO
FINISH		WEIGHT	A3	00779	C-4-1437665-1	-
CUSTOMER DRAWING			SCALE	SHEET	REV	
			NTS	1 OF 2	D1	

REVISIONS				
P	LTR	DESCRIPTION	DATE	APVD
-	-	SEE SHEET 1	-	-



THIS DRAWING IS A CONTROLLED DOCUMENT.		DWN S. SCHLEGEL 5/7/03	 TE Connectivity Ltd.	
DIMENSIONS: INCHES		CHK S. YODER 5/7/03		
TOLERANCES UNLESS OTHERWISE SPECIFIED:		APVD S. YODER 5/7/03	NAME	
 0 PLC ± - 1 PLC ± - 2 PLC ± .01 3 PLC ± - 4 PLC ± - ANGLES ± -		PRODUCT SPEC	JC6-P208-XX ASSEMBLY	
MATERIAL		FINISH	APPLICATION SPEC	RESTRICTED TO
-		-	WEIGHT	-
		SIZE A3 00779		CAGE CODE C-4-1437665-1
		DRAWING NO		RESTRICTED TO
		CUSTOMER DRAWING		SCALE NTS
		SHEET 2 OF 2		REV D1