

THIS DRAWING IS UNPUBLISHED.

RELEASED FOR PUBLICATION

,19

© COPYRIGHT 19

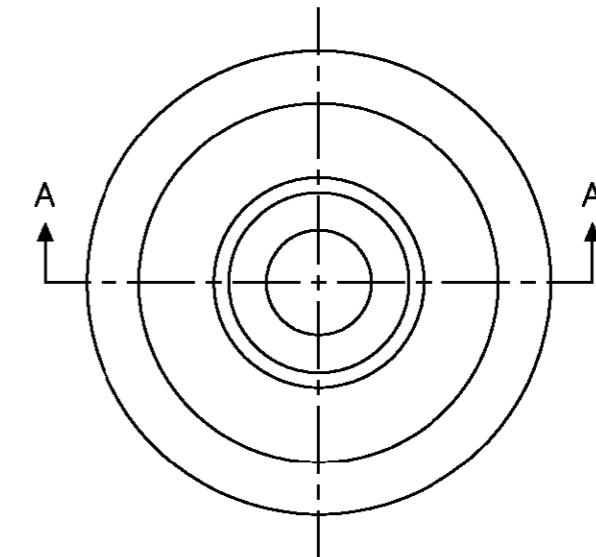
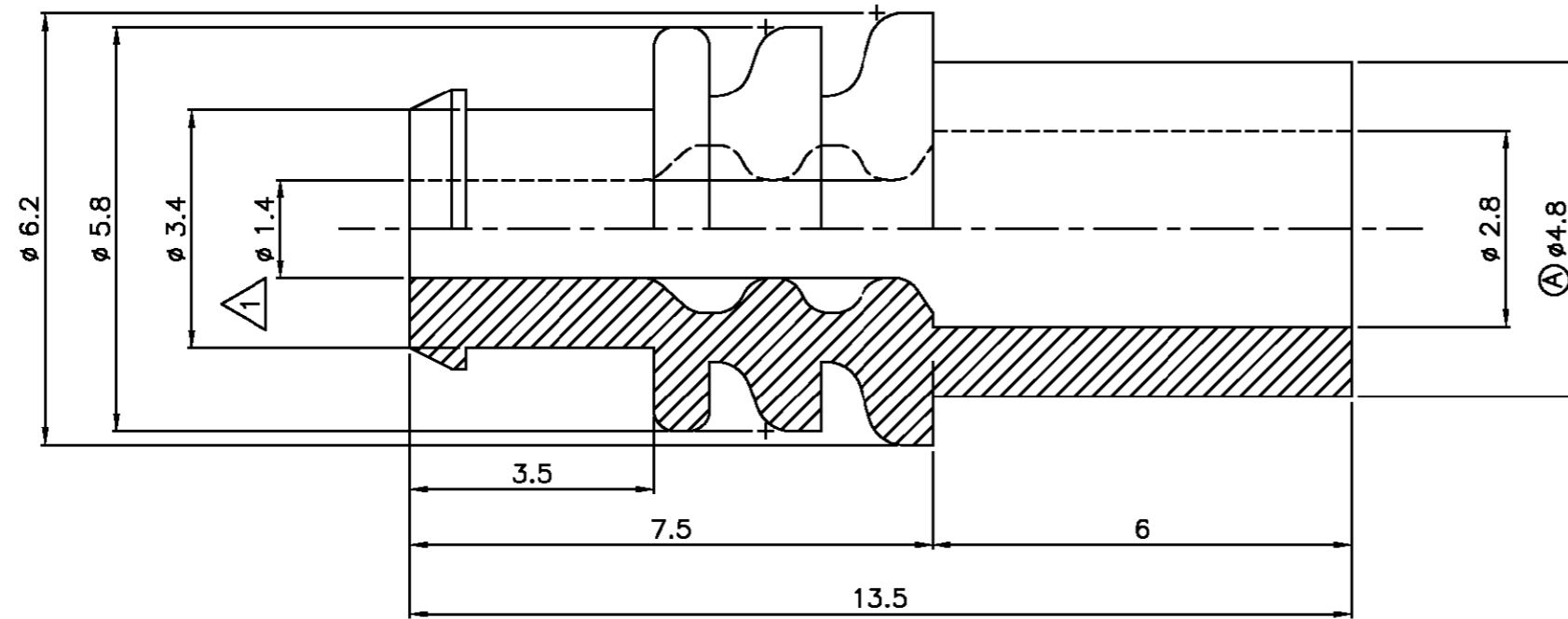
BY AMP INCORPORATED. ALL RIGHTS RESERVED.

LDC DS

DIST

REVISIONS

P	LTR	DESCRIPTION	DATE	DWN	APVD
	0	RELEASED(FC00-0075-00)	5/JUN '00	YD	CS
	A	REVISED(FC00-0090-00)	10/JULY '00	YD	CS



SECTION A-A

NOTE :

P/N	MATERIAL	COLOR	HARNESS	△	INSULATION φ
368947-1	SILICONE	YELLOW	50 ± 5°	△	φ1.4 φ1.8-2.4mm
368947-2		△ RED		△	φ1.8 φ2.6-3.3mm △

THIS DRAWING IS A CONTROLLED DOCUMENT FOR AMP INCORPORATED. IT IS SUBJECT TO CHANGE AND THE CONTROLLING ENGINEERING ORGANIZATION SHOULD BE CONTACTED FOR THE LATEST REVISION.

DIMENSIONS: MM

TOLERANCES UNLESS OTHERWISE SPECIFIED:

0<XX<10 ± 0.2
 10<XX<30 ± 0.25
 30<XX<100 ± 0.3
 ANGLES ± 3°



3rd ANGLE PROJECTION

MATERIAL

FINISH

DWN

CHK

APVD

PRODUCT SPEC

APPLICATION SPEC

WEIGHT

AMP

AMP KOREA.
kyungsan, korea

NAME

SUPER WIRE SEAL

SIZE

CAGE CODE

DRAWING NO

A3

00779

©-3 6 8 9 4 7

SCALE 10/1

SHEET 1

OF 1

REV A