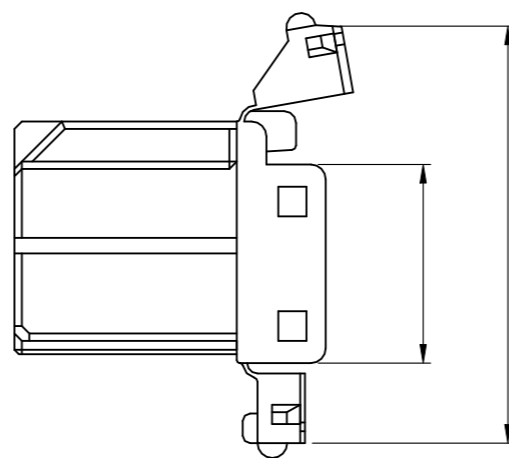
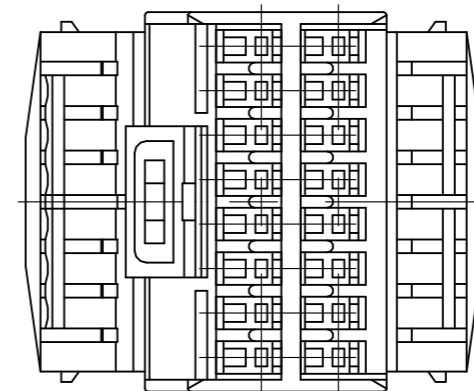
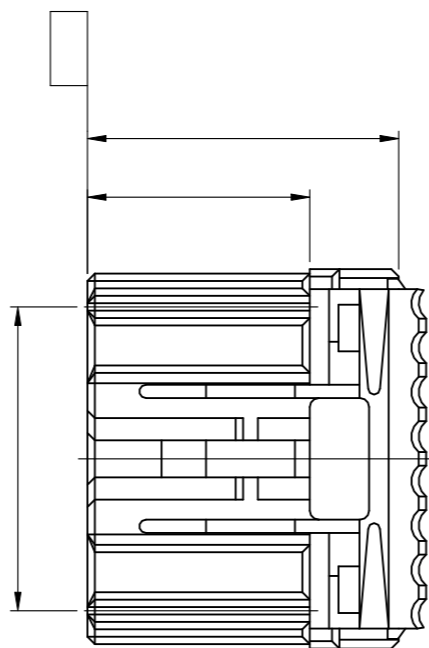
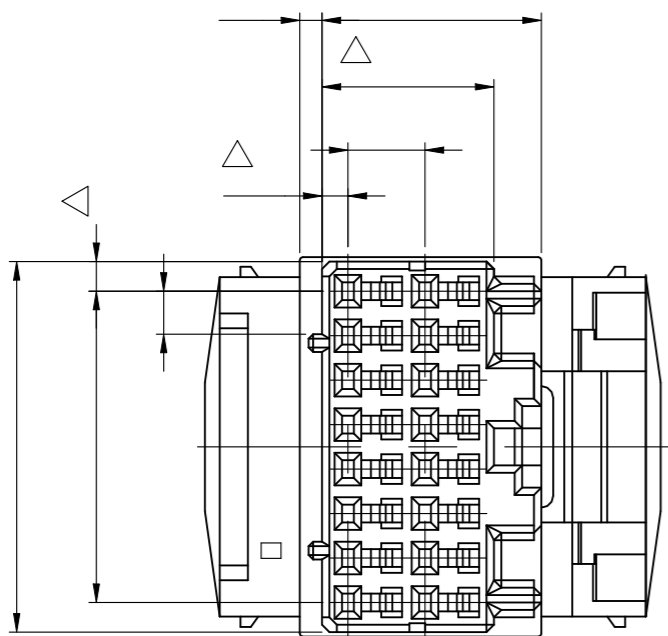



REVISIONS					
P	LTR	DESCRIPTION	DATE	DWN	APVD
	B	REVISED(FC00-0098-03)	15/JUL/'03	HS	CS
	B1	REVISED PER ECR-23-177343	17MAY2023	RK	JT



THIS DRAWING IS A CONTROLLED DOCUMENT.		DWN HS BAE	 TE Connectivity														
DIMENSIONS: mm		CHK BM JANG															
TOLERANCES UNLESS OTHERWISE SPECIFIED:		APVD CS LEE	NAME 040 16P REC HSG														
<table border="0"> <tr> <td>0 PLC</td> <td>± -</td> </tr> <tr> <td>1 PLC</td> <td>± -</td> </tr> <tr> <td>2 PLC</td> <td>± -</td> </tr> <tr> <td>3 PLC</td> <td>± -</td> </tr> <tr> <td>4 PLC</td> <td>± -</td> </tr> <tr> <td>ANGLES</td> <td>± -</td> </tr> </table>		0 PLC	± -	1 PLC	± -	2 PLC	± -	3 PLC	± -	4 PLC	± -	ANGLES	± -	PRODUCT SPEC -	-		
0 PLC	± -																
1 PLC	± -																
2 PLC	± -																
3 PLC	± -																
4 PLC	± -																
ANGLES	± -																
MATERIAL SEE TABLE		FINISH SEE TABLE	APPLICATION SPEC -	-													
		WEIGHT -	SIZE A3	CAGE CODE 00779	DRAWING NO C-368134												
CUSTOMER DRAWING			RESTRICTED TO -	SCALE 2:1	SHEET 1 OF 1												
			REV B1														