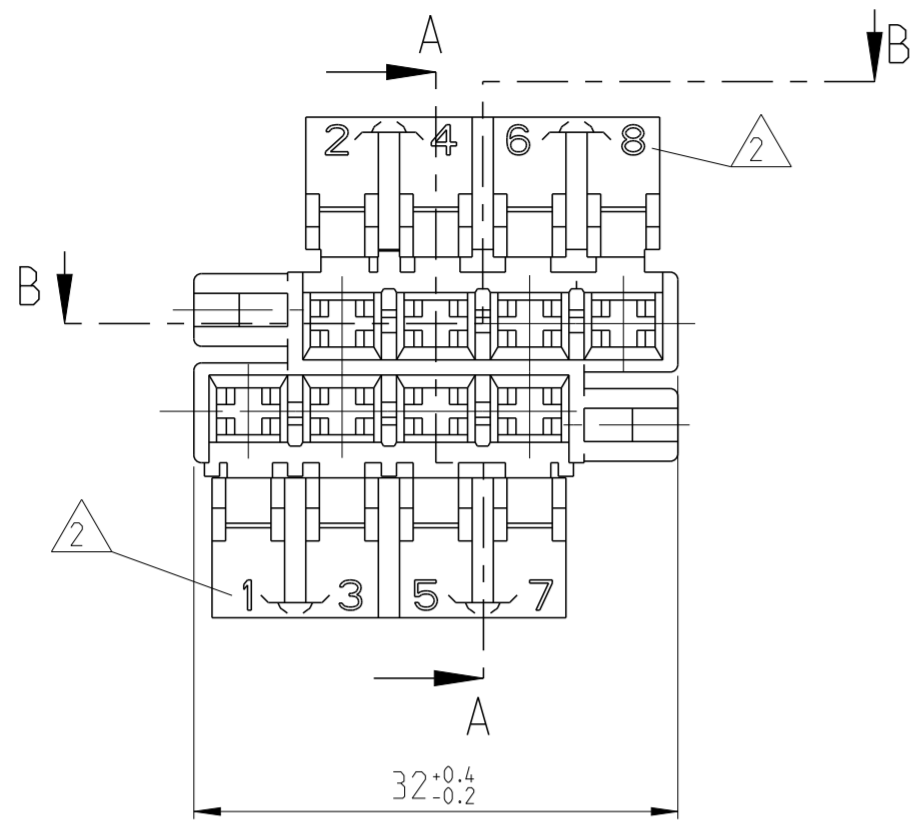
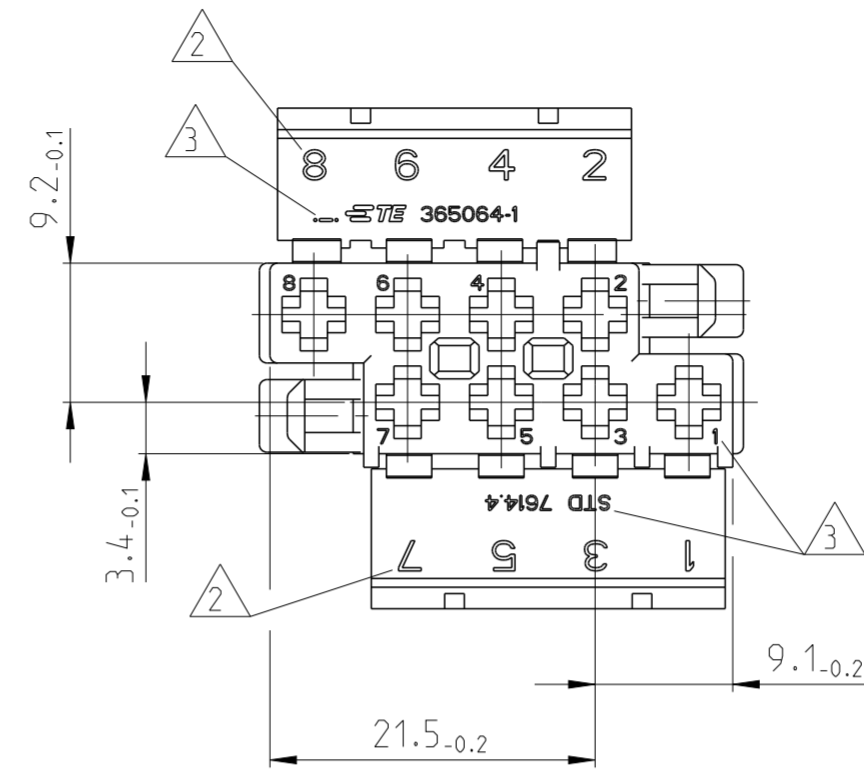
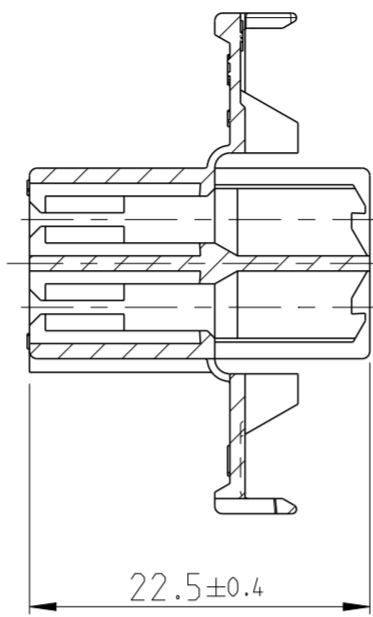


THIS DRAWING IS UNPUBLISHED. RELEASED FOR PUBLICATION 2011
 © COPYRIGHT 2011 ALL RIGHTS RESERVED.

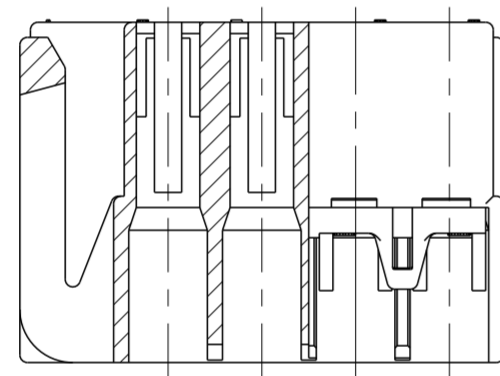
LOC	DIST	REVISIONS					
AL	2	P	LTR	DESCRIPTION	DATE	DWN	APVD
		E1		ECR 12-004643	17APR2012	XP	RS
		E2		OBSOLETE PN 365064-4	29JUL2022	KMD	SCK



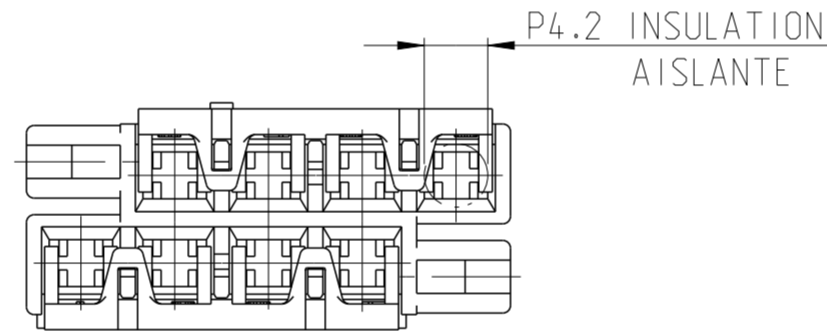
SECCION A-A
SECTION



SECCION B-B
SECTION

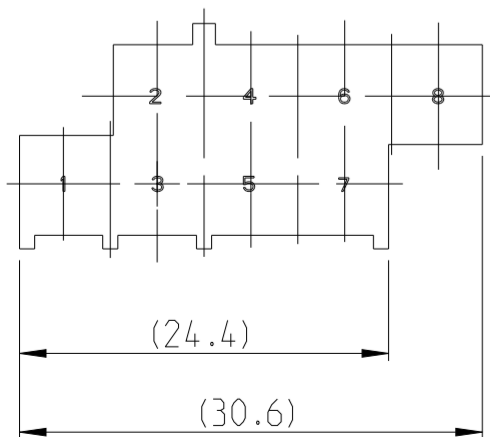


DETALLE CAJA CON BISAGRA CERRADA
HOUSING WITH CLOSED FLAP

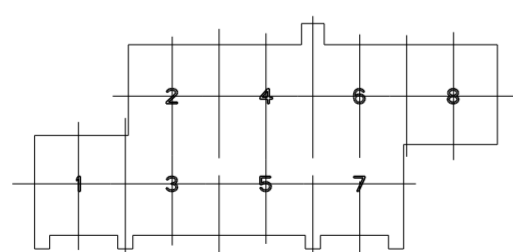


- MATERIAL Y COLORES HAN DE ESTAR LIBRES DE CADMIO
MATERIAL AND COLORS ARE FREE OF CADMIUM
- ALTURA LETRA 2
CHARACTER HEIGHT 2
- ALTURA LETRA 1
CHARACTER HEIGHT 1
- USAR CON 365063
FITTING WITH 365063
- LAS PIEZAS DEBEN IR EMPAQUETADAS HERMETICAMENTE
Y SU CONTENIDO DE HUMEDAD DEBE SER 2.5±1%
PARTS MUST BE AIR TIGHT PACKAGED.
MOISTURE CONTENT MUST BE 2.5±1%

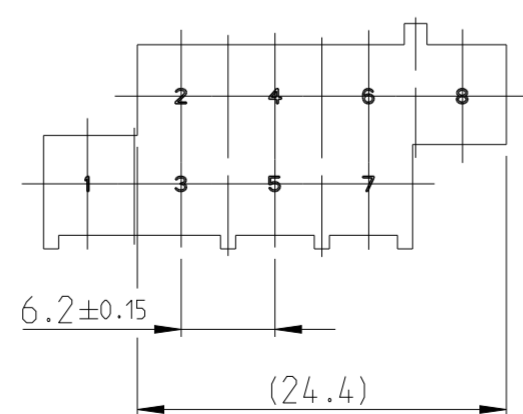
CODIGO 1
CODING



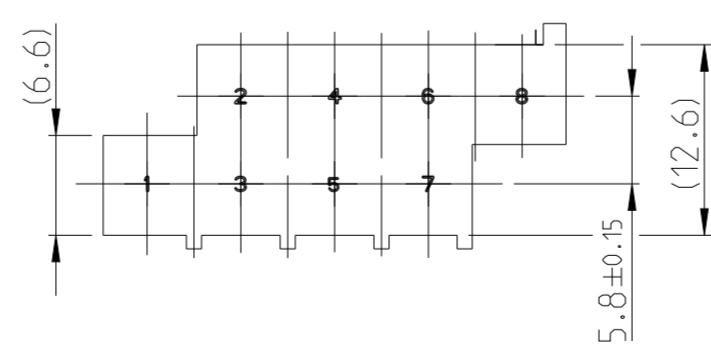
CODIGO 2
CODING



CODIGO 3
CODING



CODIGO 4
CODING



OBSOLETE	CODE 4	365064-4	PA 6.6	YELLOW
	CODE 3	365064-3	PA 6.6	BLACK
	CODE 2	365064-2	PA 6.6	GREY
	CODE 1	365064-1	PA 6.6	NATUR
	Code No.	Part Number	Material	Finish / Colour

THIS DRAWING IS A CONTROLLED DOCUMENT.		DWN R. ULLRICH 15OCT1984	TE Connectivity	
DIMENSIONS: mm		CHK J. PASCUAL 15JUN1993		
TOLERANCES UNLESS OTHERWISE SPECIFIED: ±0.2		APVD L. BATILLO 15JUN1993		
MATERIAL SEE PART LIST		NAME	8 POS. HOUSING FOR JUNIOR TIMER CONTACT	
CUSTOMER DRAWING		SIZE A2	CAGE CODE 00779	DRAWING NO. C-365064
SCALE 2:1		SHEET 1 OF 1		REV E2