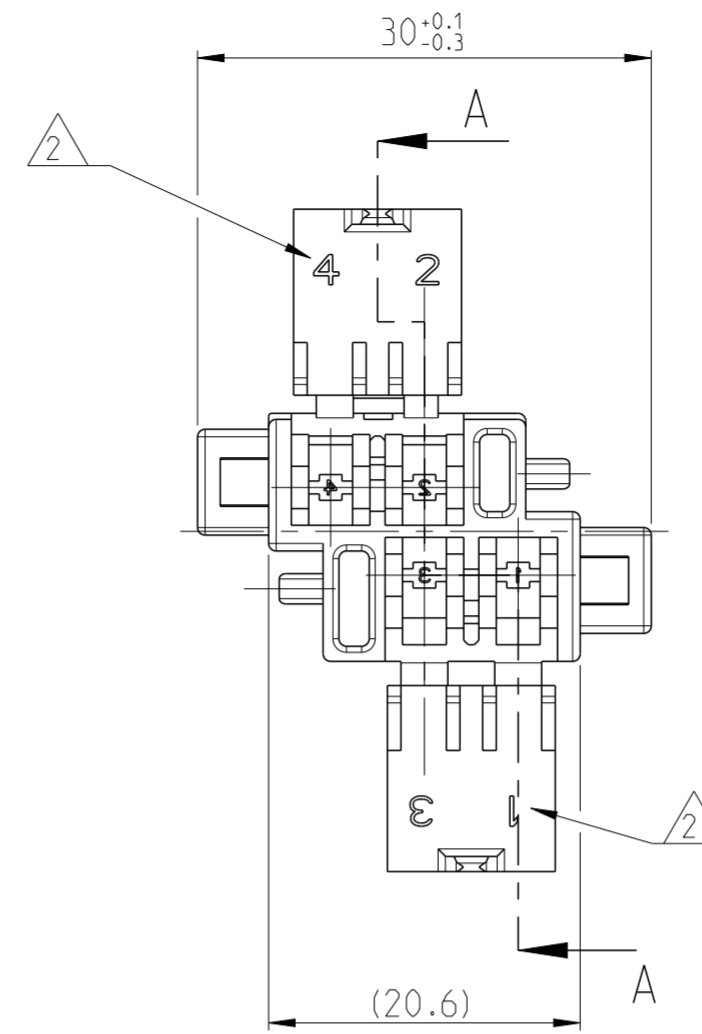
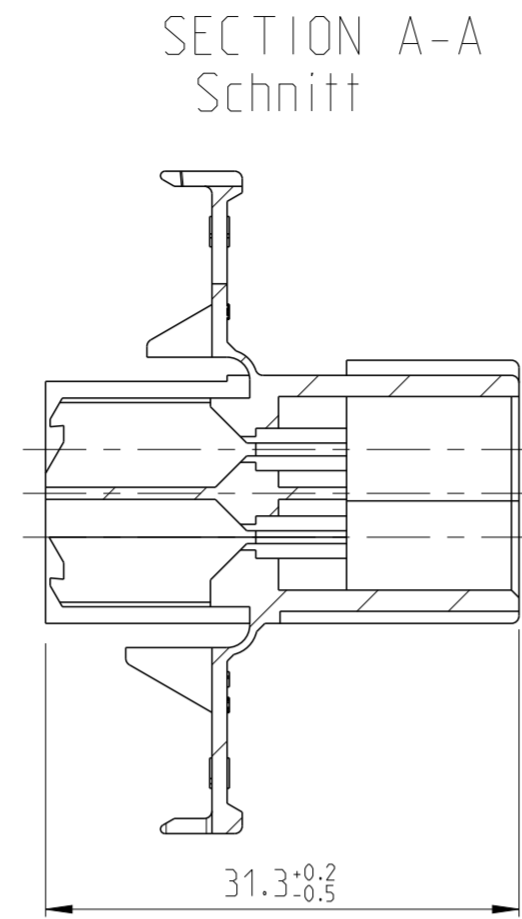
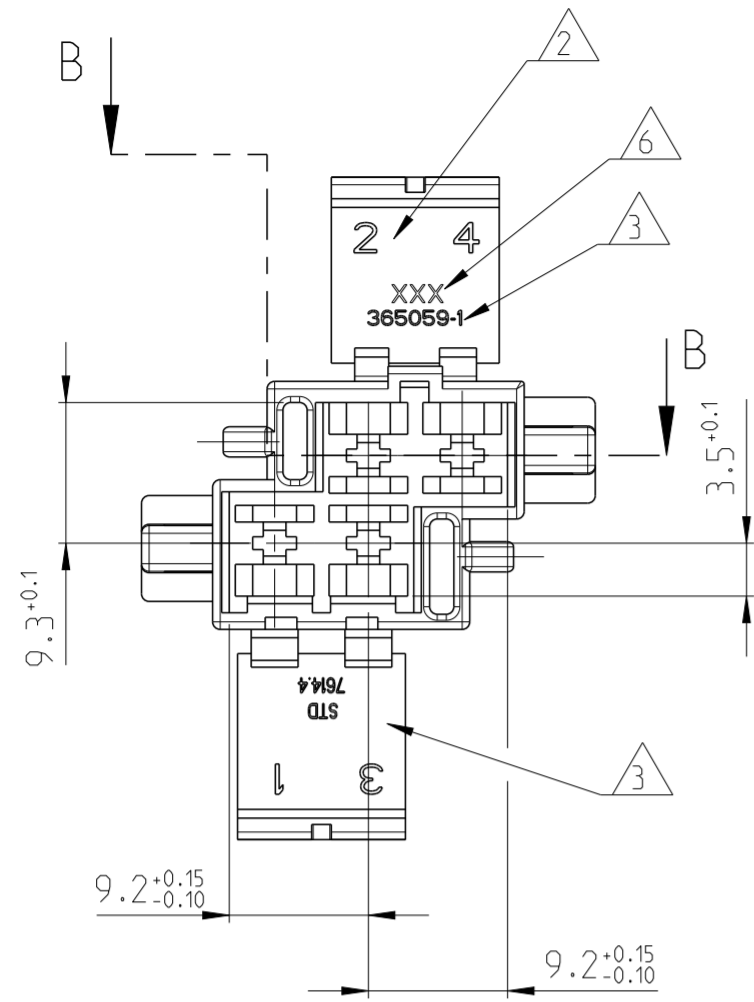
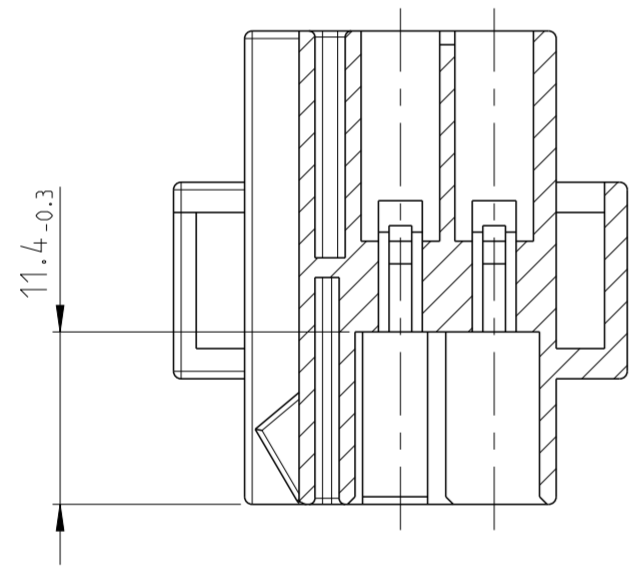


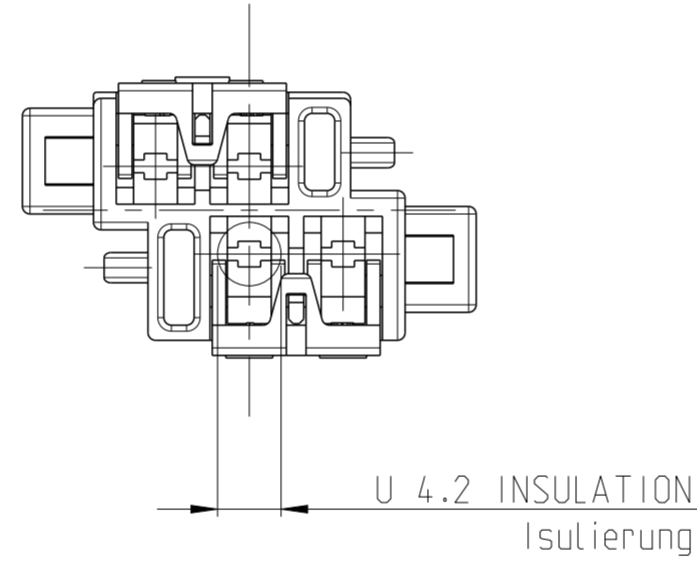
LOC	DIST	REVISIONS					
AL	2	P	LTR	DESCRIPTION	DATE	DWN	APVD
		G2		Logo changed	30JAN2013	Ho.	Schin.
		G3		Revision in the titleblock adepited	01FEB2013	Ho.	Schin.
		G4		OBSOLETE PN 365059-2	18JAN2022	KMD	SCK



SECTION B-B Schnitt

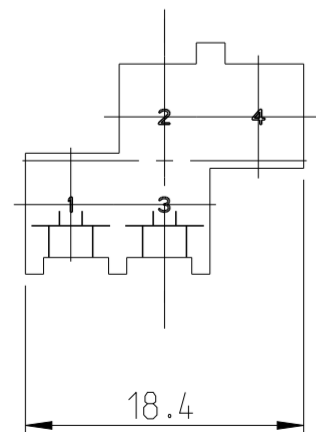


HOUSING WITH CLOSED FLAP  
 Gehaeuse mit geschlossener Klappe

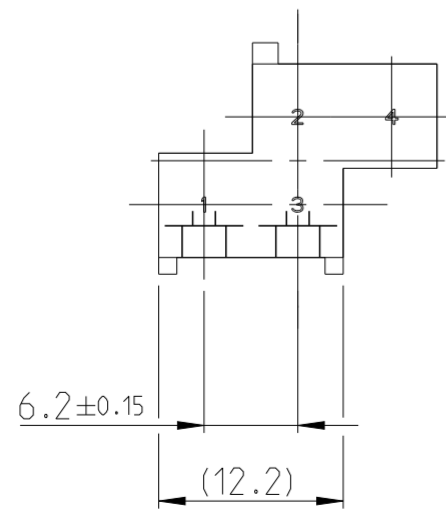


- 1 MATERIAL Y COLORES HAN DE ESTAR LIBRES DE CADMIO  
 Material und Farbbatch muss cadium frei sein
- 2 CHARACTER HEIGHT 2  
 Schrifthoehe 2
- 3 CHARACTER HEIGHT 1  
 Schrifthoehe 2
- 4 FITTING WITH 365060  
 Passend zu 365060
- 5 PARTS MUST BE AIR TIGHT PACKAGED, MOISTURE CONTENT MUST BE 2.5±1%  
 Teile muessen luftdicht verpackt sein, die Feuchte muss 2.5±1% betragen
- 6 LOGO ACC. TO TE SPEC TEC-202-36;  
 0.15 RAISED  
 Firmenlogo entsprechend TE Spec TEC-202-36;  
 0.15 erhaben

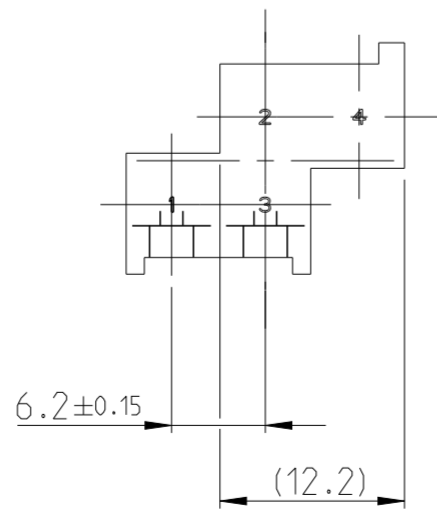
CODING 1  
 Kodierung



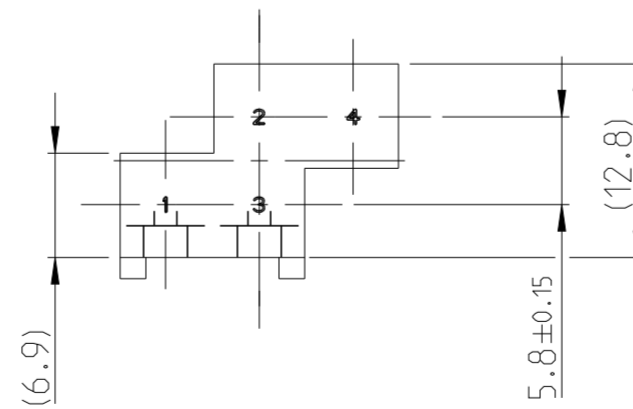
CODING 2  
 Kodierung



CODING 3  
 Kodierung



CODING 4  
 Kodierung



Code NO.	Part Number	Material	Finish Colour
CODE 4	365059-4	PA 6.6	YELLOW
CODE 3	365059-3	PA 6.6	BLACK
<del>CODE 2</del>	<del>365059-2</del>	<del>PA 6.6</del>	<del>GREY</del>
CODE 1	365059-1	PA 6.6	NATUR

THIS DRAWING IS A CONTROLLED DOCUMENT.		DWN R.ULLRICH 22NOV84	<b>STE</b> TE Connectivity	
DIMENSIONS: mm		CHK J.PASCUAL 15JUN93		
TOLERANCES UNLESS OTHERWISE SPECIFIED:		APVD L.BATILLO 15JUN93	NAME 4 POS. TAB HOUSING	
0 PLC ±		PRODUCT SPEC -	SIZE CAGE CODE DRAWING NO RESTRICTED TO	
1 PLC ± ±0.2		APPLICATION SPEC -	A2 00779 C-365059 -	
2 PLC ±		WEIGHT -	SCALE 2:1 SHEET 1 OF 1 REV G4	
3 PLC ±		Customer Drawing		
4 PLC ±				
ANGLES ±°				
FINISH				