

4

3

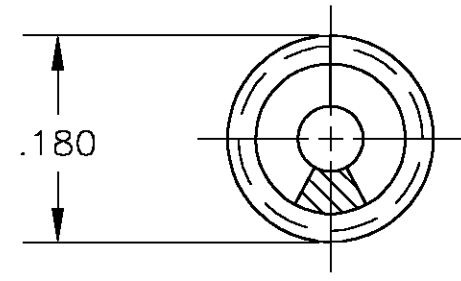
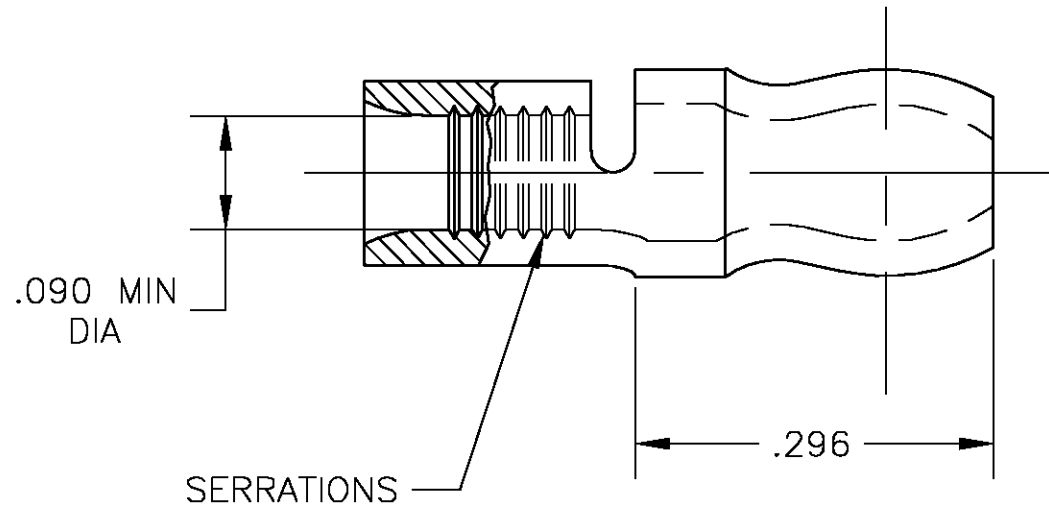
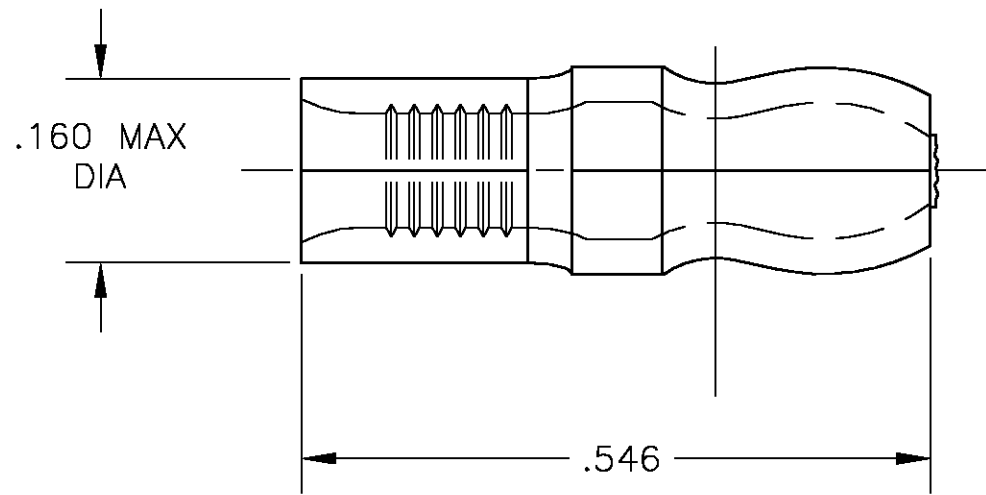
2

1

THIS DRAWING IS UNPUBLISHED. RELEASED FOR PUBLICATION
 © COPYRIGHT BY TYCO ELECTRONICS CORPORATION. ALL RIGHTS RESERVED.

LOC	DIST	REVISIONS					
		P	LTR	DESCRIPTION	DATE	DWN	APVD
G	14		C	REV PER 0G3A-0356-04	10MAY04	JR	MS

- 1 MATERIAL THICKNESS IS .031±.002
- △2 COPPER PER ASTM B-152
- △3 TIN PLATE PER ASTM B-545



35240-0
 PART NO

THIS DRAWING IS A CONTROLLED DOCUMENT.		DWN jr_ruth 10MAY04	Tyco Electronics Corporation Harrisburg, PA 17105			
DIMENSIONS: INCHES		CHK M SPICER 10MAY04				
		APVD M SPICER 10MAY04	NAME TERMINAL BODY, SHUR PLUG			
TOLERANCES UNLESS OTHERWISE SPECIFIED: 0 PLC ± - 1 PLC ± - 2 PLC ± - 3 PLC ± .008 4 PLC ± - ANGLES ± 5°		PRODUCT SPEC -	RESTRICTED TO -			
MATERIAL - △2		FINISH - △3	APPLICATION SPEC -	SIZE A3	CAGE CODE 00779	DRAWING NO C-35240
CUSTOMER DRAWING			WEIGHT -	SCALE 6:1	SHEET 1 OF 1	REV C