



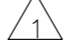
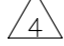
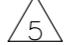
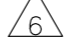

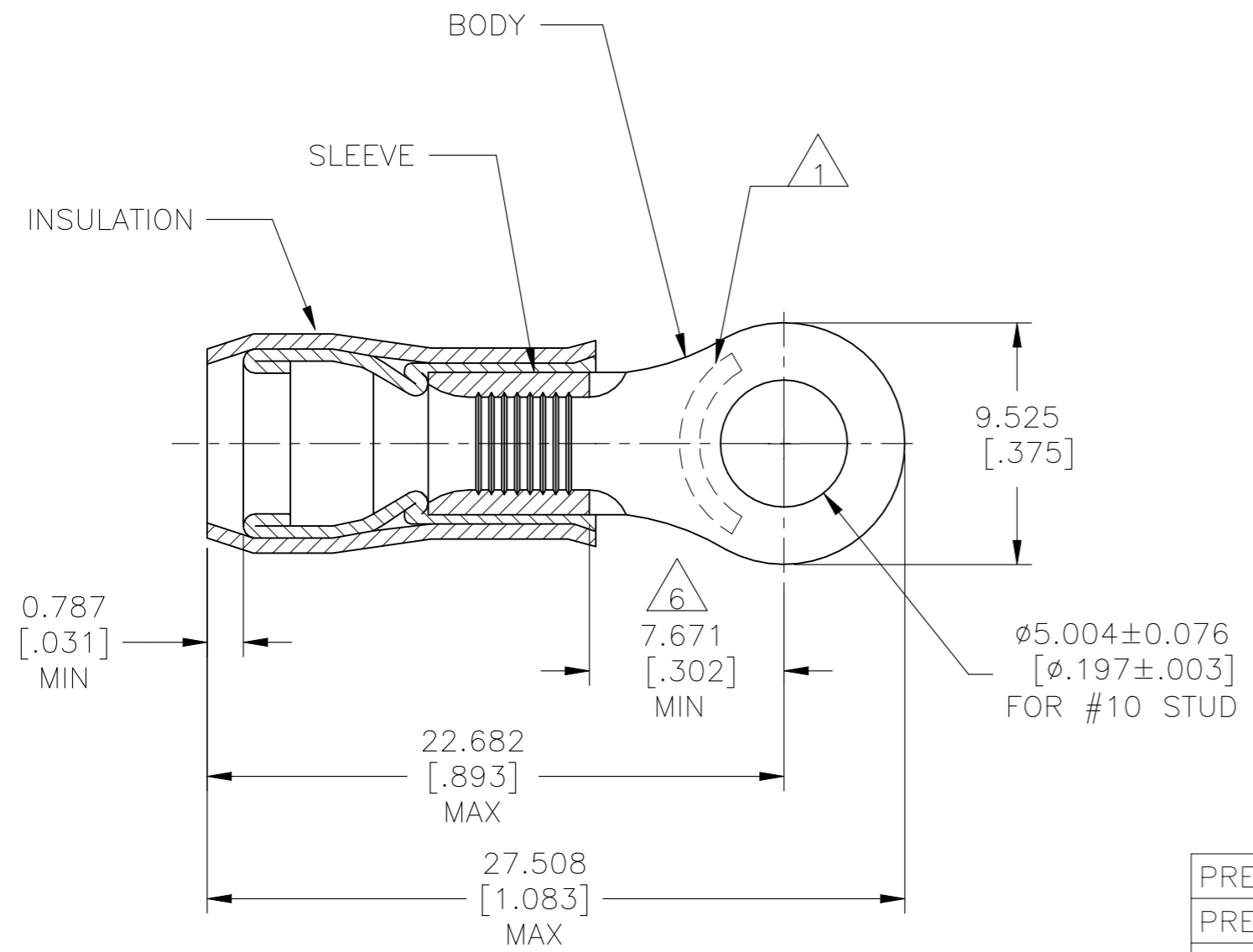


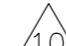



© - TE Connectivity. All Rights Reserved.

REVISIONS				
P	LTR	DESCRIPTION	DATE	APVD
	S7	REVISED PER ECR-24-211715	30AUG2024	LP DSC

AMP WIRE RANGE	  E13288 Listed
12-10 AWG SOLID OR STRANDED	12-10 AWG SOLID OR STRANDED
  LR7189 Certified	
12-10 AWG SOLID OR STRANDED	

-  STAMP "AMP 12-10*" APPROX AS SHOWN.
- 2 WIRE INSULATION: $\phi 3.810-6.350[\phi .150-.250]$.
- 3 BODY MATERIAL THK: $0.991\pm 0.051[.039\pm .002]$.
-  FINISH: BODY & SLEEVE: TIN PLATE $0.00254[.000100]$
MIN EXT THK PER ASTM B545.
INSULATION COLOUR: SEE TABLE
-  MATERIAL: BODY & SLEEVE- CU PER ASTM B152
INSULATION - NYLON PER ASTM D4066
-  APPLIES FROM EDGE OF METAL WIRE BARREL
TO CENTER OF STUD HOLE.
-  MEETS MS25036-112, CLASS 1.
- 8 NOTE DELETED



PRELIMINARY		WHITE	500	LOOSE PIECE	35109-3
PRELIMINARY		GREEN	500	LOOSE PIECE	35109-2
PRELIMINARY		BLUE	500	LOOSE PIECE	35109-1
	 	YELLOW	100	LOOSE PIECE, BOX	8-35109-1
		YELLOW	2500	ON TAPE & REEL	2-35109-1
		YELLOW	500	LOOSE PIECE	 35109
		INSULATION COLOR	QTY	PACKAGE TYPE	PART NO

AMP INCORPORATED
CUSTOMER SERVICE SYSTEMS

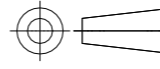


THIS DRAWING IS A CONTROLLED DOCUMENT.

DWN JR RUTH 16DEC09
CHK T MICHIELUTTI 16DEC09
APVD T MICHIELUTTI 16DEC09



FOR ADDITIONAL PRODUCT INFORMATION OR COPIES OF DRAWINGS AND TECHNICAL DOCUMENTS	PRODUCT INFORMATION CENTER 1-800-522-6752
FOR APPLICATION TOOLING INFORMATION	TOOLING ASSISTANCE CENTER 1-800-722-1111
FOR ORDER ENTRY	1-800-526-5142

MAX RECOMMENDED OPERATING TEMPERATURE: 105°C[221°F] MAX
VOLTAGE RATING: 300 VOLT MAX
CIRCULAR MIL AREA: 2.62-6.64mm²[5,180-13,100] STRANDED OR SOLID

DIMENSIONS: mm [INCHES]	TOLERANCES UNLESS OTHERWISE SPECIFIED:
	0 PLC ± - 1 PLC ± - 2 PLC ± - 3 PLC ± 0.127[.005] 4 PLC ± - ANGLES ± -
MATERIAL 	FINISH 

PRODUCT SPEC	UL486A-B
APPLICATION SPEC	114-2157
WEIGHT	-

NAME				TERMINAL, RING TONGUE, PIDG	
				WIRE SIZE: 12-10 AWG	
SIZE	CAGE CODE	DRAWING NO	RESTRICTED TO		
A3	00779	C-35109	-		
CUSTOMER DRAWING			SCALE	SHEET	REV
			4:1	1 OF 1	S7