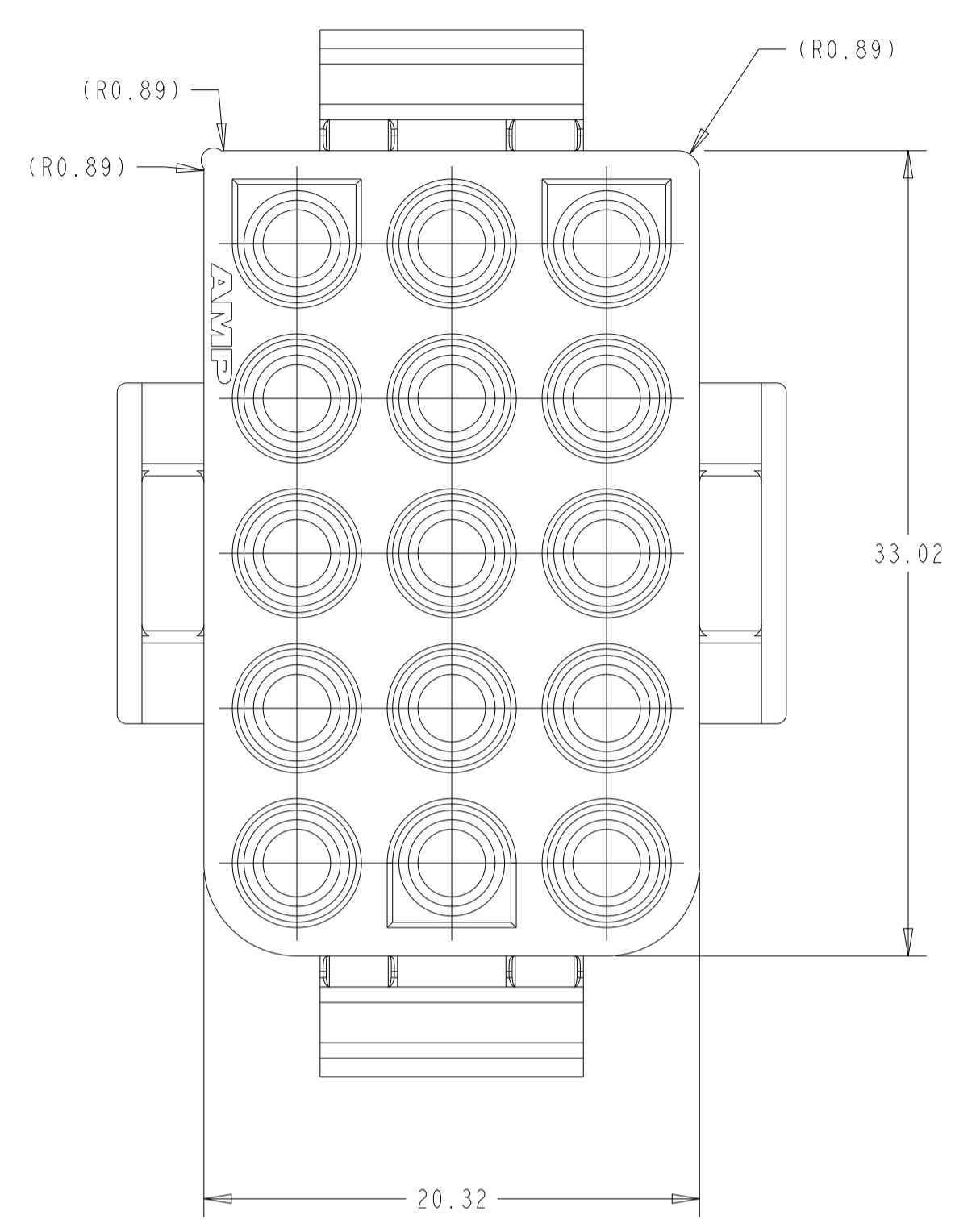
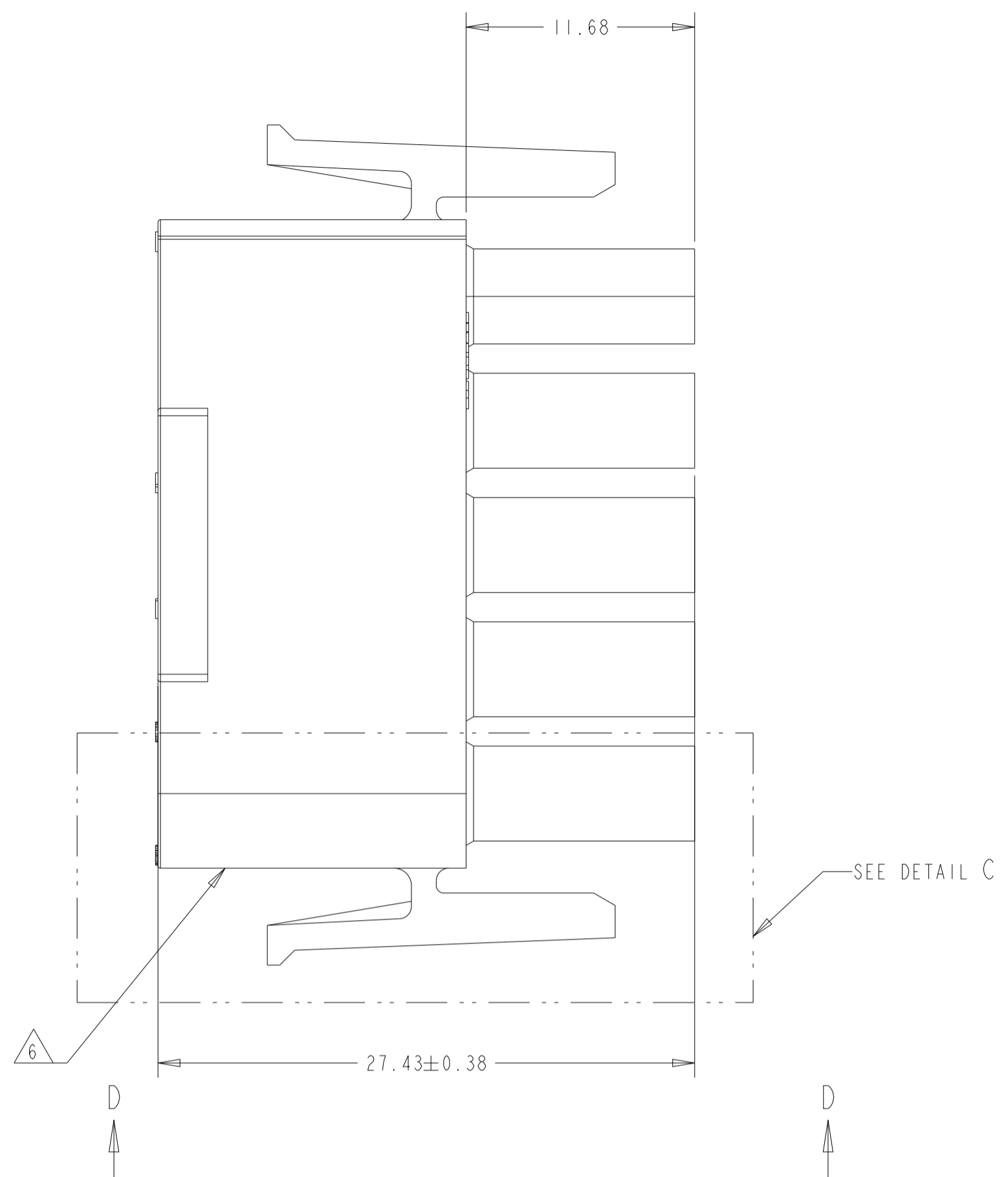
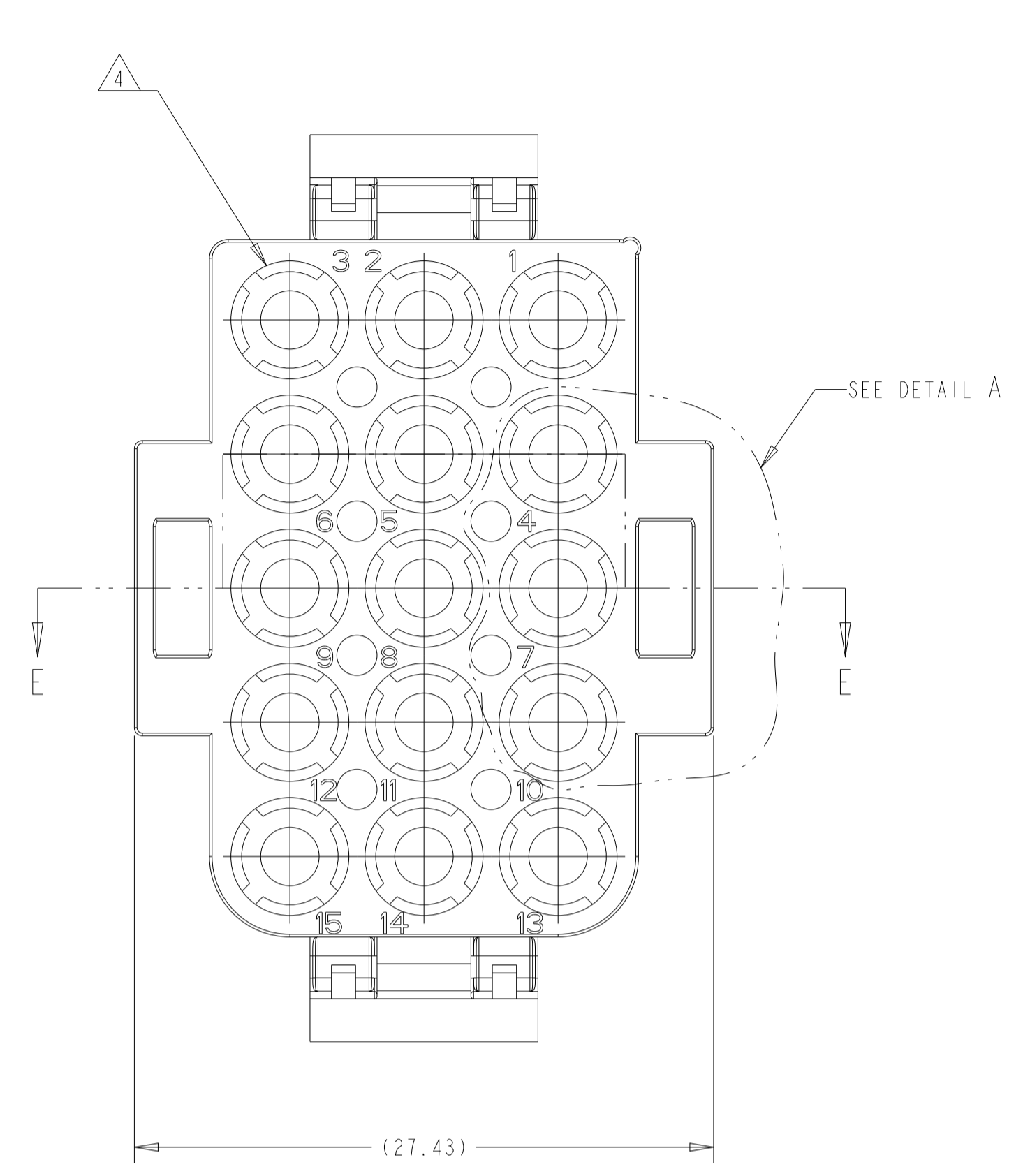
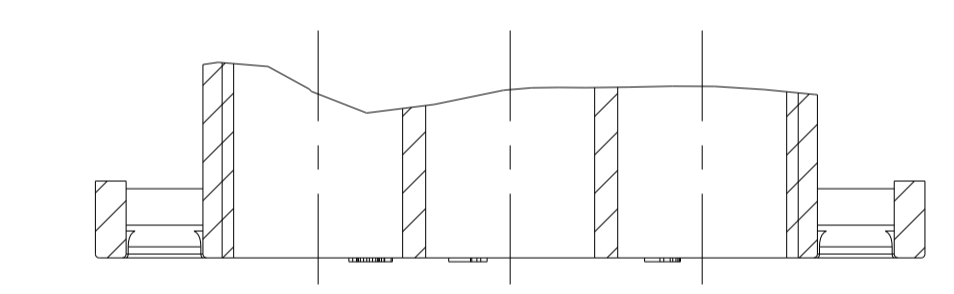


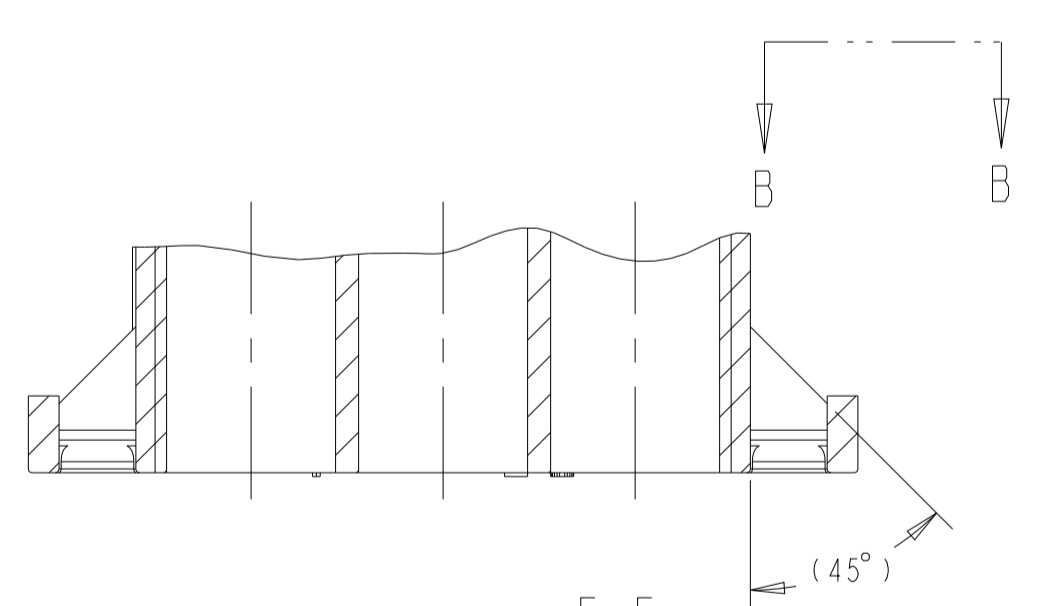
REVISIONS				
P	LTN	DESCRIPTION	DATE	APVD
Z		REVISED PER ECR-19-008106	11JUN2019	BDA FS
AA		REVISED PER ECR-24-218682	09SEP2024	AK BR



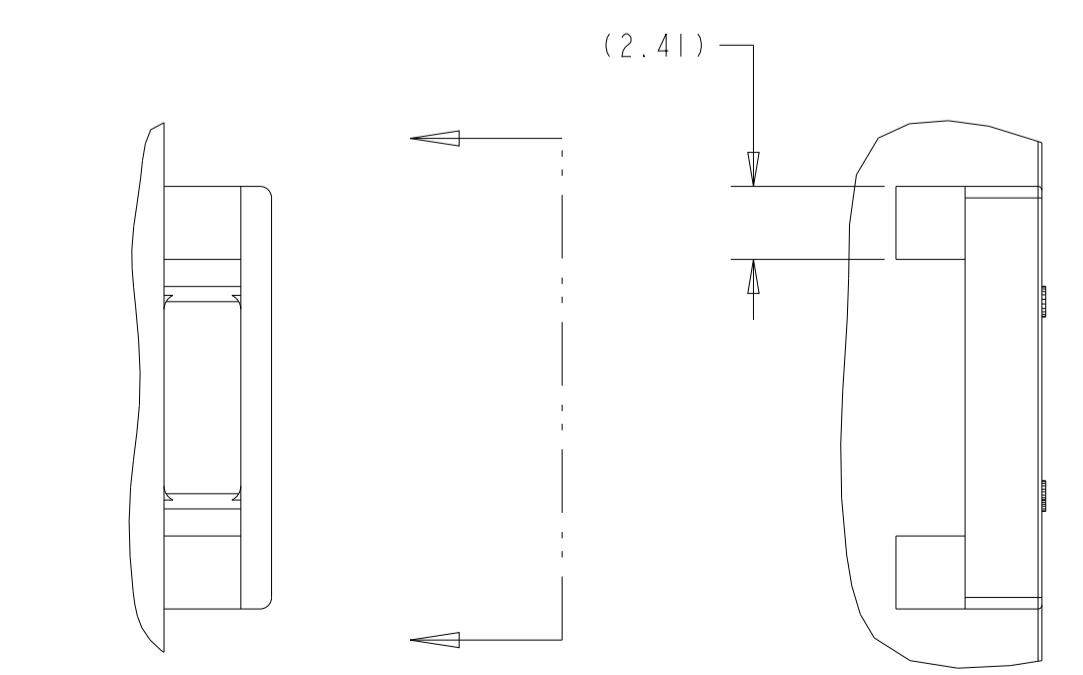
- MATES WITH APPROPRIATE UNIVERSAL MATE-N-LOK™ CAP OR HEADER.
 - SMALL NICKS ARE PERMITTED ON THE CIRCUIT TOWERS WHICH COULD INCREASE THE INITIAL HOUSING MATING FORCE BY UP TO 4.4 NEWTONS (1.0 LBS). NO INDIVIDUAL NICKED TOWER SHALL INCREASE THIS FORCE BY OVER 2.2 NEWTONS (0.5 LBS).
 - DIMENSIONS SHOWN REPRESENT PRODUCT IN DRY, AS MOLDED, CONDITION. ADDITIONAL 2% GROWTH DUE TO SUBSEQUENT MOISTURE ABSORPTION MAY OCCUR AND SHOULD BE ACCOUNTED FOR.
- △ 4 FOUR RIBS EQUALLY SPACED, NO SPECIFIC ORIENTATION, OR SIX RIBS EQUALLY SPACED, NO SPECIFIC ORIENTATION, OPTIONAL.
 - △ 5 NOT MANUFACTURED IN U.S.
 - △ 6 UNDERWRITERS RECOGNIZED COMPONENT LOGO AND CSA CERTIFICATION LOGO TO BE LOCATED ONCE ON EACH SIDE OF HOUSING.



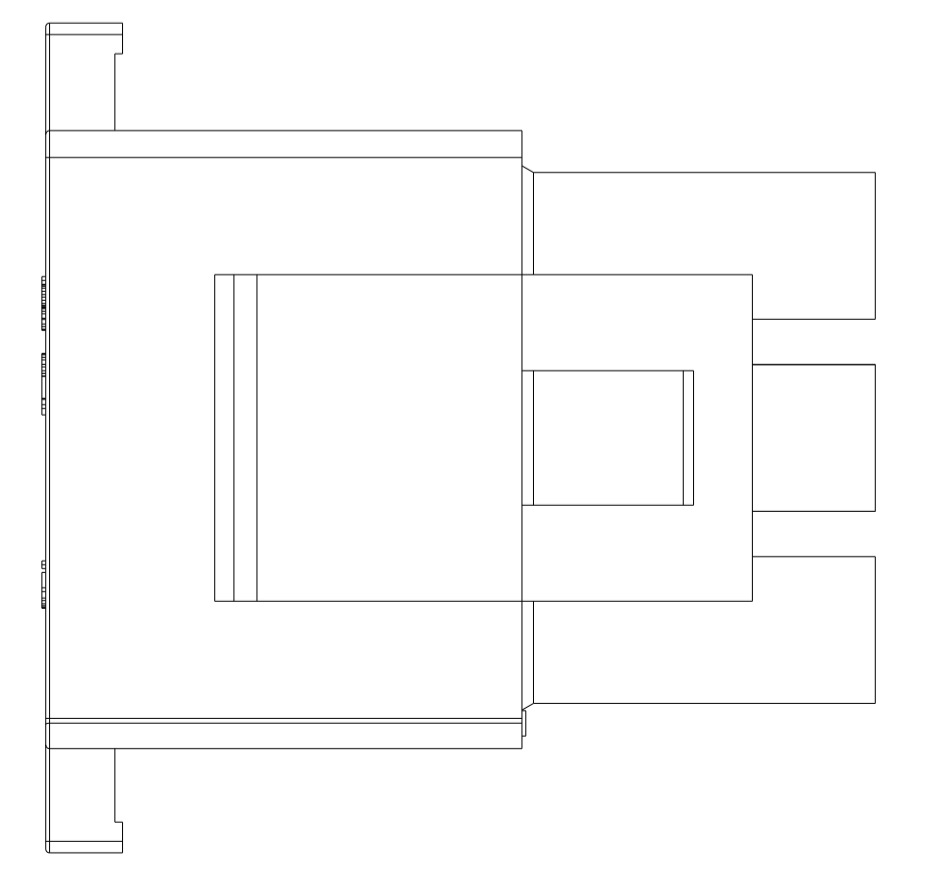
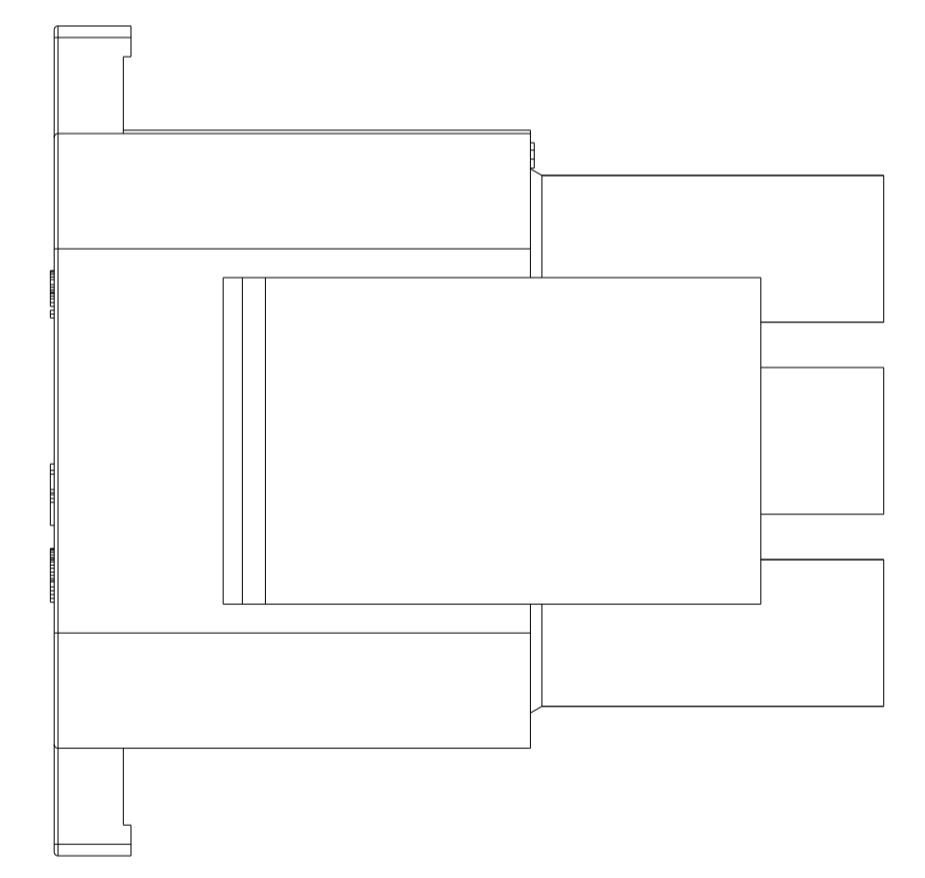
PARTIAL SECTION E-E



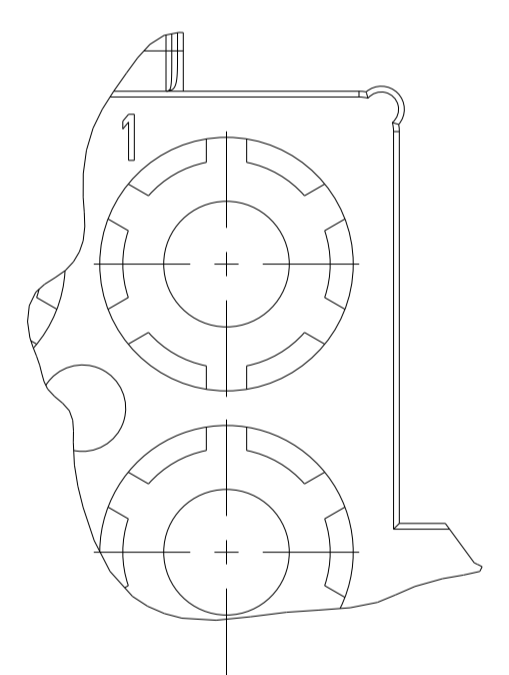
PARTIAL SECTION E-E
OPTIONAL CONSTRUCTION



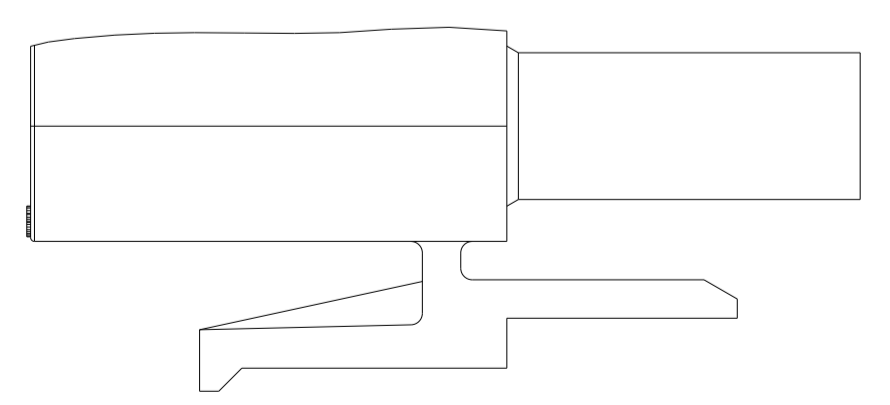
VIEW B
OPTIONAL CONSTRUCTIONS



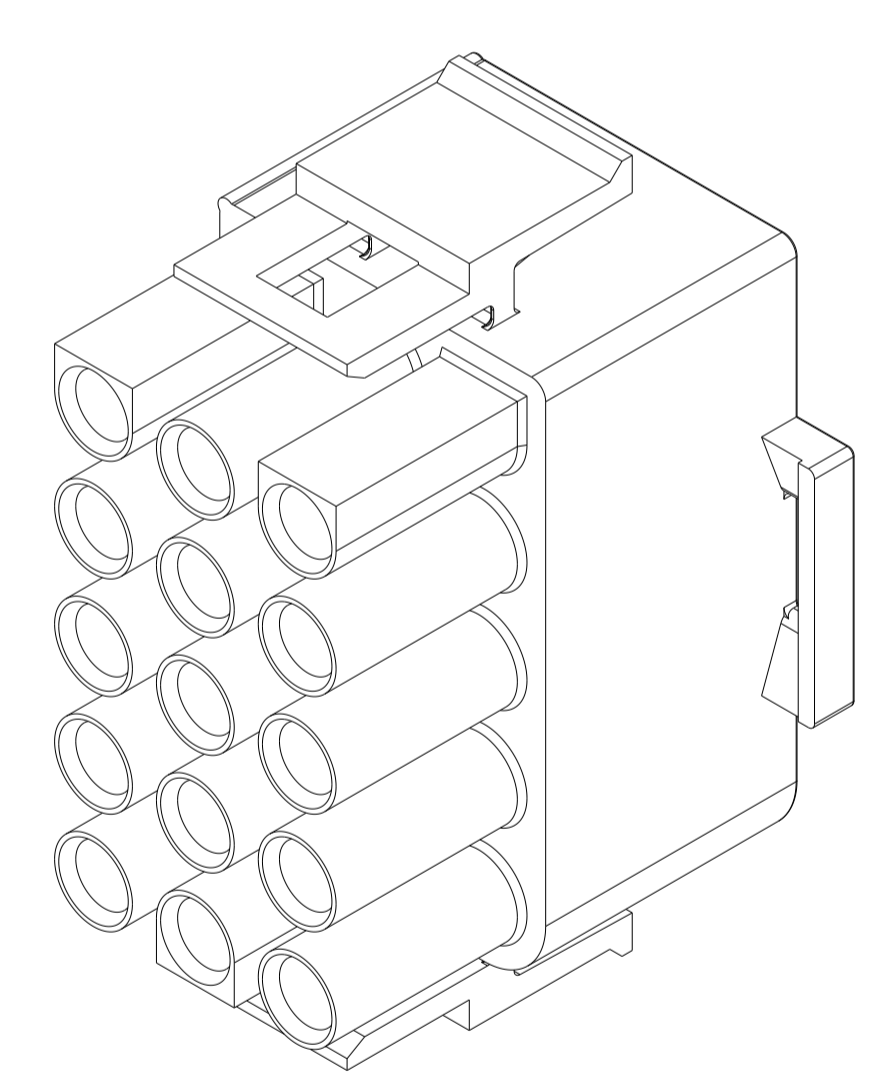
VIEW D-D
350736-4 ONLY



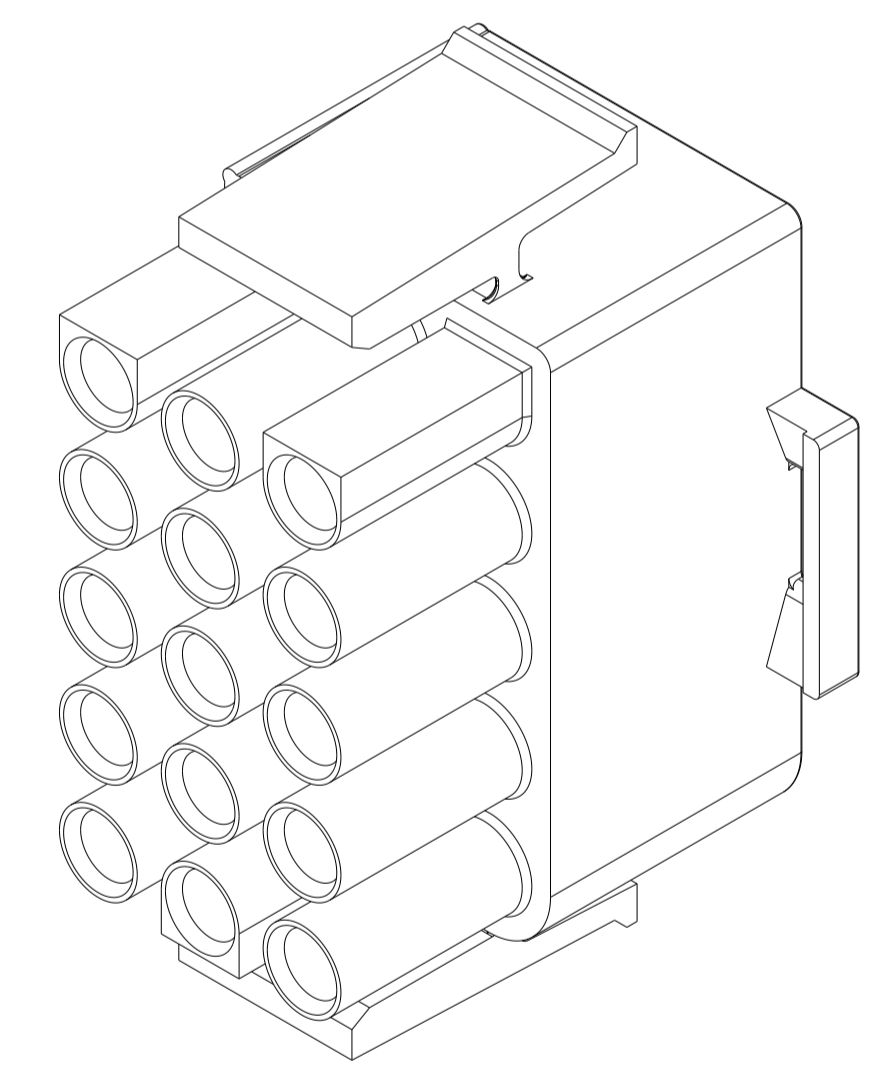
DETAIL A
SCALE: 6:1
OPTIONAL CONSTRUCTIONS



DETAIL C
350736-4 ONLY



350736-4 ONLY



BLACK	1-350736-9
GRAY	1-350736-8
BLUE	1-350736-6
GREEN	1-350736-5
YELLOW	1-350736-4
ORANGE	1-350736-3
RED	1-350736-2
BROWN	1-350736-1
△	350736-4
NATURAL	350736-1
COLOR	PART NUMBER

THIS DRAWING IS A CONTROLLED DOCUMENT.

DIMENSIONS:	TOLERANCES UNLESS OTHERWISE SPECIFIED:	OWN: R. WHITAKER 20FEB1992	CHK: R. SWING 20FEB1992	APVD: D. SELE 24FEB1992	NAME: PLUG, 15 CIRCUIT, UNIVERSAL MATE-N-LOK
mm	0 PLC ±0.13	PRODUCT SPEC	108-1031	APPLICATION SPEC	SIZE: CAGE CODE: DRAWING NO: RESTRICTED TO
MATERIAL: NYLON, UL 94V-0	FINISH: 40°30'	WEIGHT: 114-1010	00779	350736	SCALE: 4:1 SHEET 1 OF 1 REV AA

CUSTOMER DRAWING