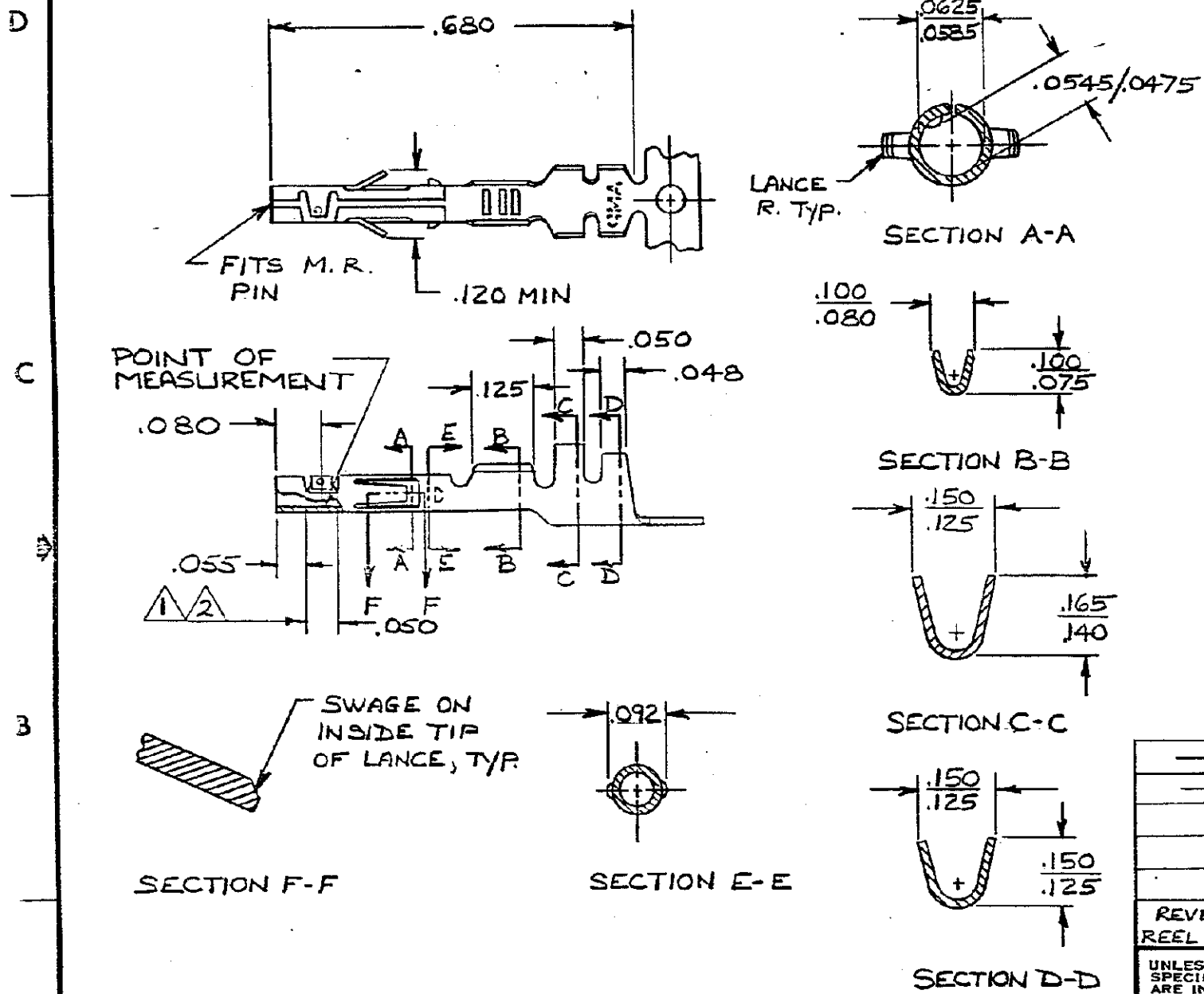


THIS DRAWING IS UNPUBLISHED. RELEASED FOR PUBLICATION . 19
 © COPYRIGHT 19 BY AMP INCORPORATED, HARRISBURG, PA. ALL INTERNATIONAL RIGHTS RESERVED. AMP PRODUCTS MAY BE COVERED BY U.S. AND FOREIGN PATENTS AND/OR PATENTS PENDING.

		REVISIONS				
P	F	ZONE	LTR	DESCRIPTION	DATE	APPROVED
			U	ADDED - 8 PER TTI-83-69	7-28-82	KW/gmm
			U ₁	RESTORED	3/22/85	RS
			V	OBSOLETE - 4 & - 6 CM-473	3-7-80	KW/RS
			W	OBSOLETE - 5 PER CM-858 OBSOLETE - 7 PER CM-911	7-13-88	PH RS
			Y	REVISED PER ECR-22-159524	25NOV22	M.J T.S
			Z	REVISED PER ECR-22-161356	15DEC22	M.J T.S



⚠ PLATED INSIDE WITH .000030 GOLD, OVER .000050 NICKEL.

⚠ REELED FOR MINI-APPLICATOR.

⚠ REELED FOR STANDARD APPLICATOR.

REVERSE REEL PART NO.	FINISH	MATERIAL	INSULATION DIA	WIRE RANGE	PART NO
	UNPLATED	.008 PH. BRZ.			350019-8
			.050-.115	#26-18 A.W.G	350019-2
	PRE-TIN	.008 PH. BRZ.			350019-1

UNLESS OTHERWISE SPECIFIED DIMENSIONS ARE IN INCHES. TOLERANCES ON: DECIMALS ±.015 ANGLES ±		CONTRACT NO DR D.A. SALTZER 7-13-82		AMP AMP INCORPORATED Harrisburg, Pa.	
MATERIAL SEE TABLE		CHKD D. S. Afford 7/2/82		NAME RECEPTACLE, M.R., .058 DIA.	
FINISH SEE TABLE		APPD [Signature]		SIZE B	FSCM NO 00779
		DSGN APPD		DRAWING NO 350019	
		OTHER APPD		SCALE	
				SHEET	