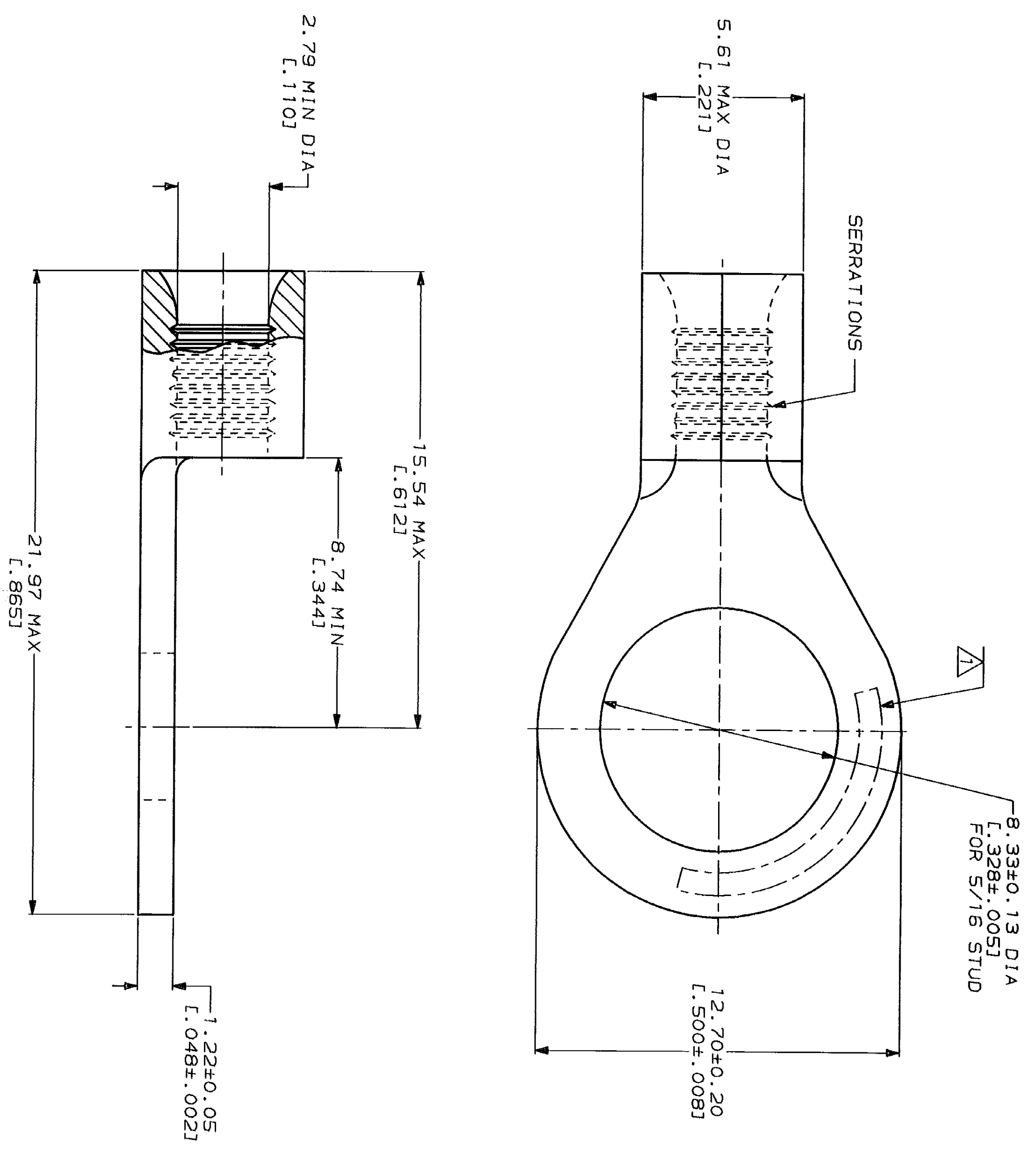


LOC	DIST	P	F	ZONE	LTR	DESCRIPTION	DATE	APPD
G	14					RELEASED PER 0720-0008-93	2-1-93	18 DAP

**METRIE**  
 DIMENSIONS LISTED IN mm [ INCHES ]

<b>AMP</b> WIRE RANGE	<b>UL</b> E13288 Listed
16-14HD AWG STRANDED	16-14HD AWG STRANDED
<b>LR7189</b> Certified	MILITARY P/N AND CLASS
NOT CERTIFIED	NOT APPLICABLE

△ STAMP AMP 16-14HD\* APPROX AS SHOWN



**AMP INCORPORATED**  
**CUSTOMER SERVICE SYSTEMS**

FOR ADDITIONAL PRODUCT INFORMATION OR COPIES OF DRAWINGS AND TECHNICAL DOCUMENTS	PRODUCT INFORMATION CENTER 1-800-522-6752
FOR APPLICATION TOOLING INFORMATION	TOOLING ASSISTANCE CENTER 1-800-722-1111
FOR ORDER ENTRY	1-800-526-5142

MAX RECOMMENDED OPERATING TEMPERATURE: 170°C MAX  
 VOLTAGE RATING: NOT APPLICABLE  
 WIRE CROSS SECTIONAL AREA RANGE: 1.04-2.62mm<sup>2</sup> [2,050-5,180] CIR MILS STRANDED

DO NOT SCALE PRINT.  
 UNLESS SPECIFIED DIMENSIONS IN mm [ INCHES ]  
 1 TOLERANCES ON :  
 2 PLC DEC # -  
 3 PLC DEC # -  
 ANGLES

MATERIAL  
 FINISH  
 TIN PLATE  
 0.00254L [0.00100] MIN THK PER MIL-T-10727

DR 2-1-93  
 TA BRINKMAN  
 CHK 2-1-93  
 DA PATTERSON  
 APPD 2-1-93  
 DE MILLER  
 APPD 2-1-93  
 JL NECKLEY  
 PRODUCT SPEC

<b>AMP</b> AMP Incorporated Harrisburg, PA 17105-3608	NAME TERMINAL, RING TONGUE, HEAVY DUTY, BUDGET
SIZE CAGE CODE 00779	DRAWING NO 34969
SCALE 8:1	SHEET 1 OF 1