

THIS DRAWING IS UNPUBLISHED.

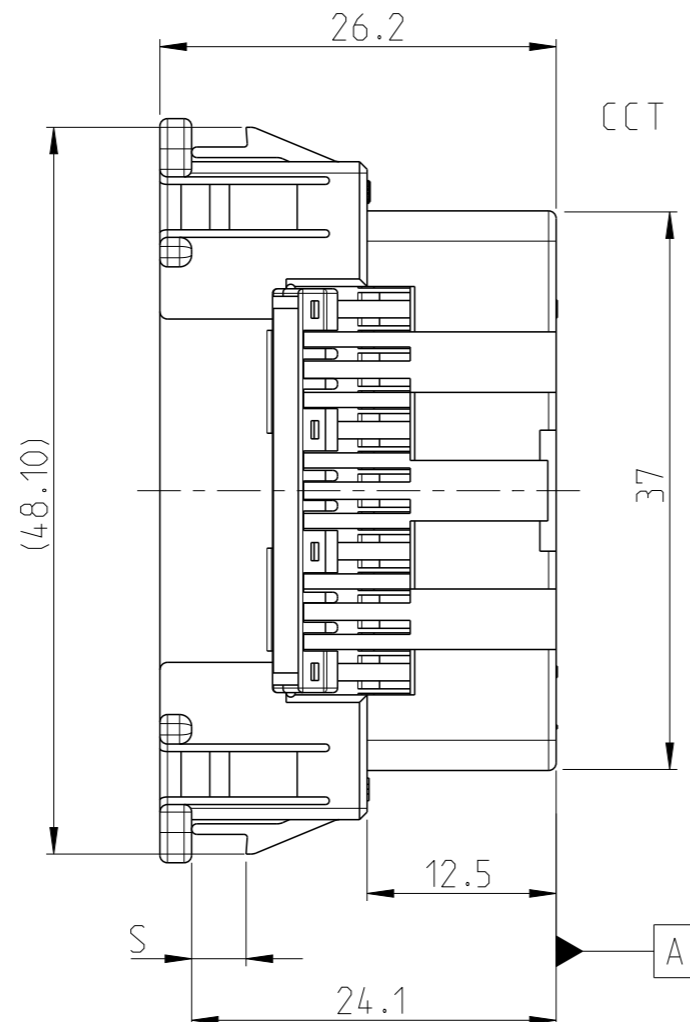
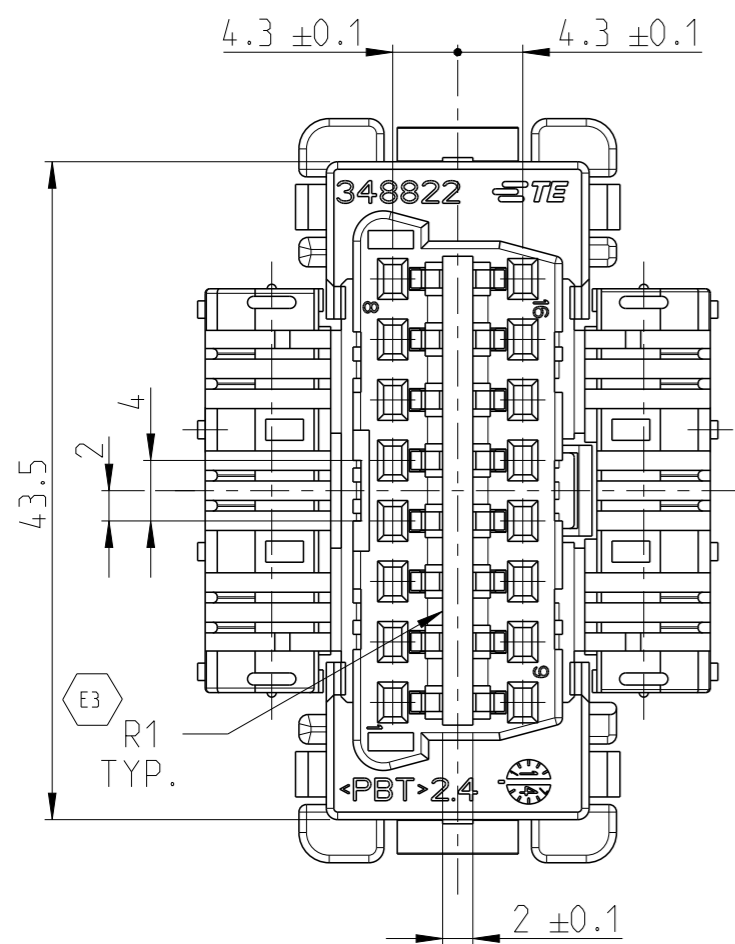
RELEASED FOR PUBLICATION

20

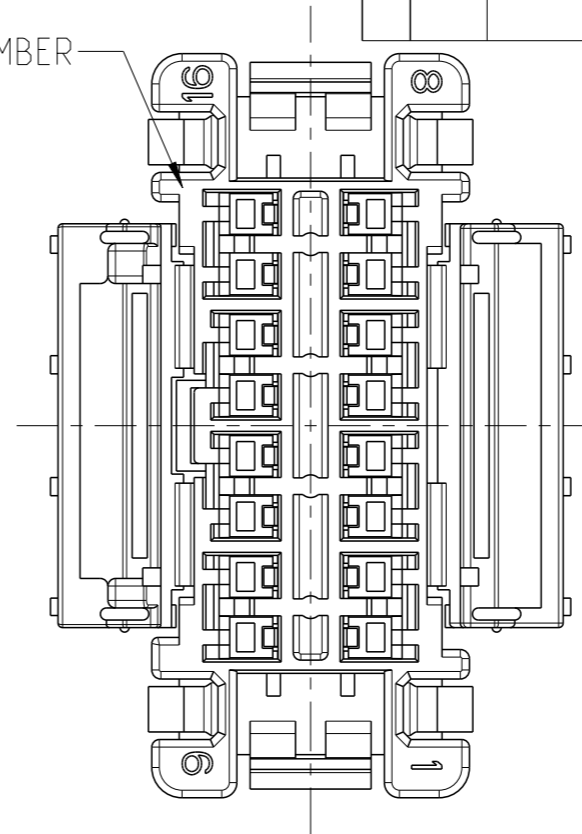
REVISIONS

© COPYRIGHT 20 BY - ALL RIGHTS RESERVED.

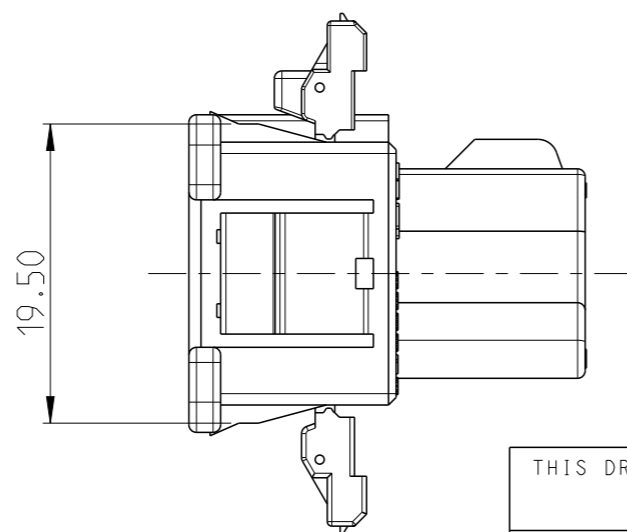
P	LTR	DESCRIPTION	DATE	DWN	APVD
E2		REDRAWN TO CREO	17NOV2017	SCK	MN
E3		CORRECTED DIMENSION FROM R0.1 TO R1	19NOV2019	SCK	MN
E4		OBSOLETE VARIANT 348822-3	20MAY2024	KMD	SCK



CCT ID NUMBER



1. APPLICABLE RECPT. P/N 776001



1.8	1.2±0.05	GREY	PBT	348822-6
3.6	3.0±0.13	GREY	PBT	348822-3
3.6	3.0±0.13	BLACK	PBT	348822-2
"S"±0.3	PANEL THICKNESS	COLOR	MATERIAL	PART NUMBER

THIS DRAWING IS A CONTROLLED DOCUMENT.

DWN M. MISTRY 22DEC1994
 CHK P. GAULTON
 APVD M. MISTRY
 PRODUCT SPEC

STE TE Connectivity

DIMENSIONS:	TOLERANCES UNLESS OTHERWISE SPECIFIED:
mm	
	0 PLC ± 1 PLC ± 2 PLC ± 3 PLC ± 4 PLC ± ANGLES ±1°
MATERIAL	FINISH

NAME
 APPLICATION SPEC
 WEIGHT

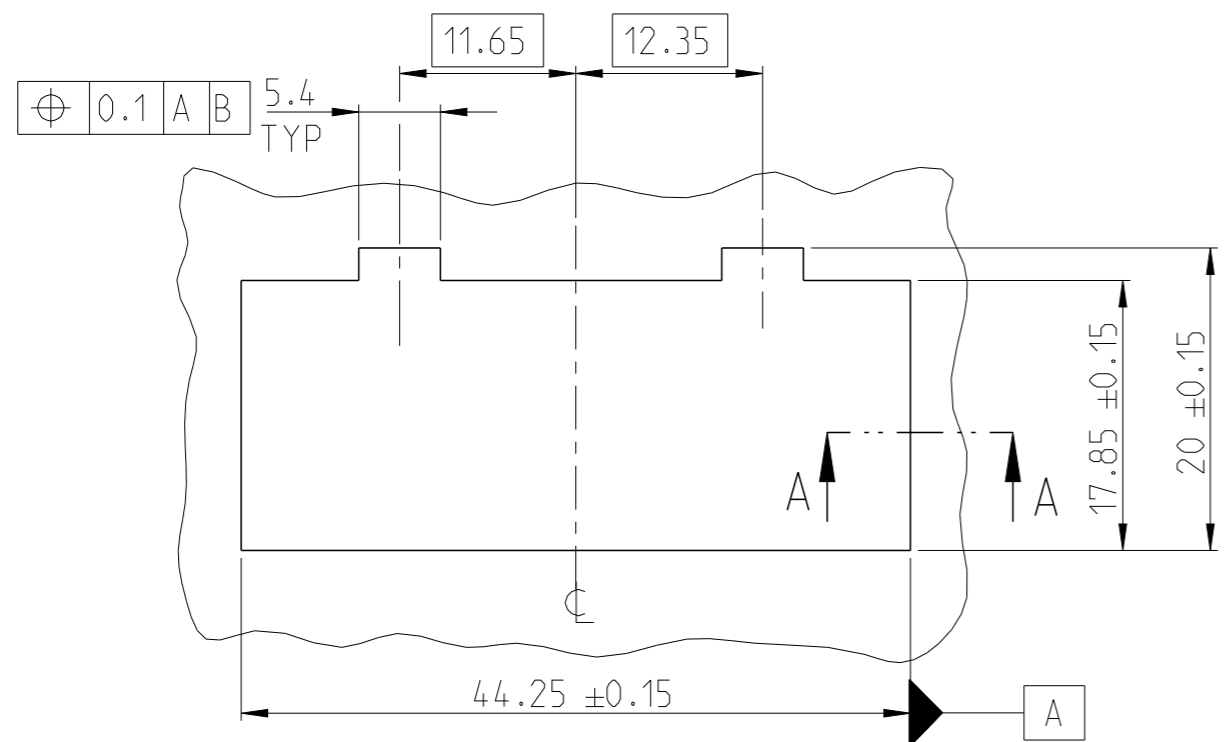
DIAGNOSTIC CONNECTOR
16 POSN PLUG HOUSING

SIZE	CAGE CODE	DRAWING NO	RESTRICTED TO
A3	00779	348822	

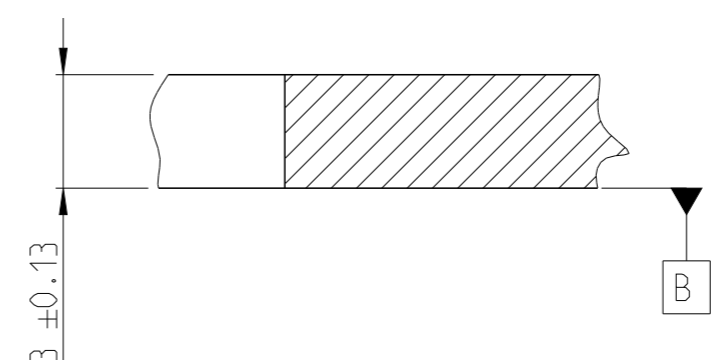
CUSTOMER DRAWING SCALE 2:1 SHEET 1 OF 2 REV E4

REVISIONS

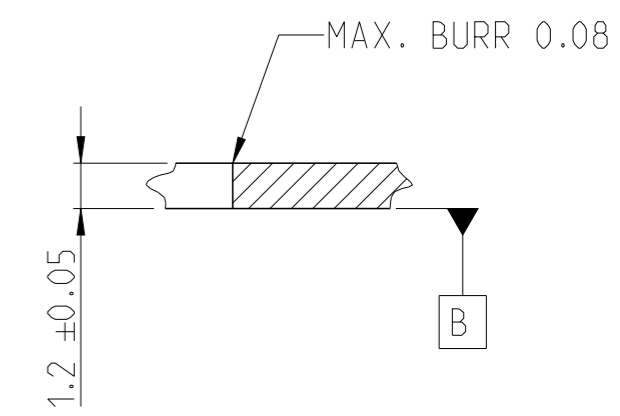
P	LTR	DESCRIPTION	DATE	DWN	APVD
		SEE SHEET 1			



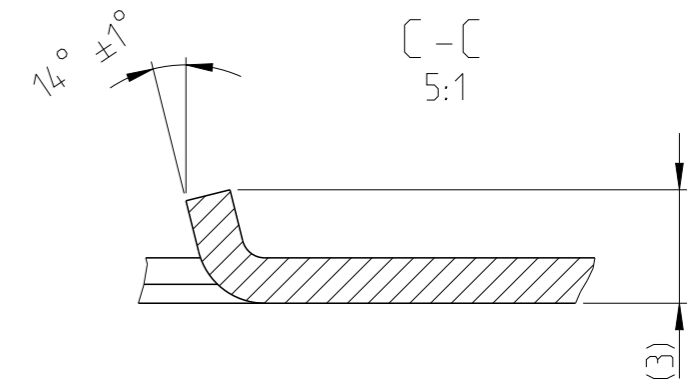
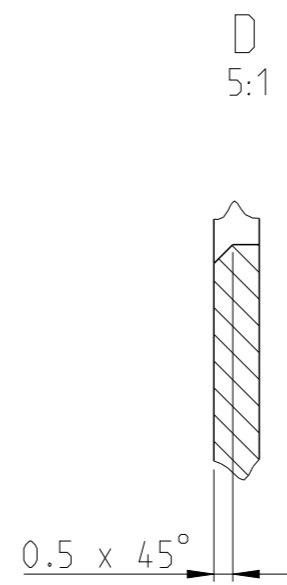
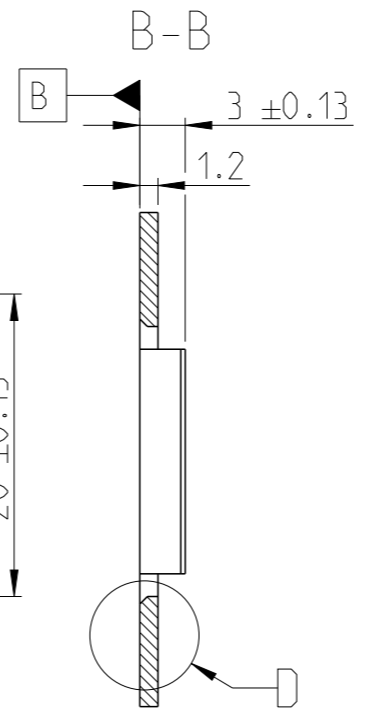
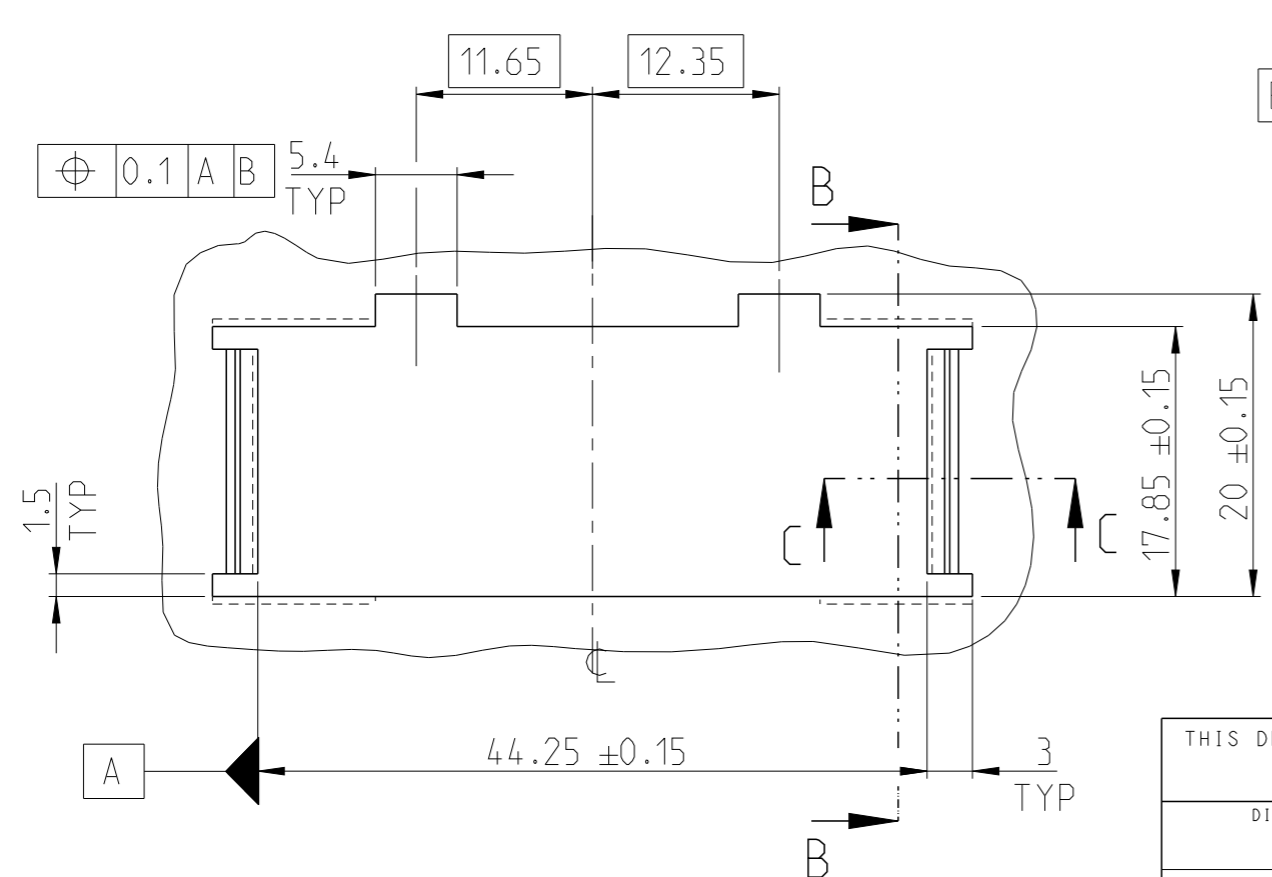
A-A 5:1 3.0mm PLASTIC PANEL CUTOUT



A-A 5:1 1.2mm METAL PANEL CUTOUT



RECOMMENDED 1.2mm METAL AND 3.0mm PLASTIC PANEL CUTOUT (MATING VIEW)



RECOMMENDED 3.0mm FORMED PANEL CUTOUT (MATING VIEW) FOR -2

THIS DRAWING IS A CONTROLLED DOCUMENT.		DWN M. MISTRY 22DEC1994	STE TE Connectivity													
DIMENSIONS: mm		CHK P. GAULTON														
TOLERANCES UNLESS OTHERWISE SPECIFIED:		APVD M. MISTRY	NAME													
<table border="1"> <tr><td>0 PLC</td><td>±0.5</td></tr> <tr><td>1 PLC</td><td>±0.5</td></tr> <tr><td>2 PLC</td><td>±0.5</td></tr> <tr><td>3 PLC</td><td>±0.5</td></tr> <tr><td>4 PLC</td><td>±0.5</td></tr> <tr><td>ANGLES</td><td>±1°</td></tr> </table>		0 PLC	±0.5	1 PLC	±0.5	2 PLC	±0.5	3 PLC	±0.5	4 PLC	±0.5	ANGLES	±1°	PRODUCT SPEC	DIAGNOSTIC CONNECTOR 16 POSN PLUG HOUSING	
0 PLC	±0.5															
1 PLC	±0.5															
2 PLC	±0.5															
3 PLC	±0.5															
4 PLC	±0.5															
ANGLES	±1°															
MATERIAL		APPLICATION SPEC	SIZE A3	CAGE CODE 00779	DRAWING NO C-348822											
FINISH		WEIGHT	RESTRICTED TO													
		CUSTOMER DRAWING	SCALE 2:1	SHEET 2 OF 2	REV E4											