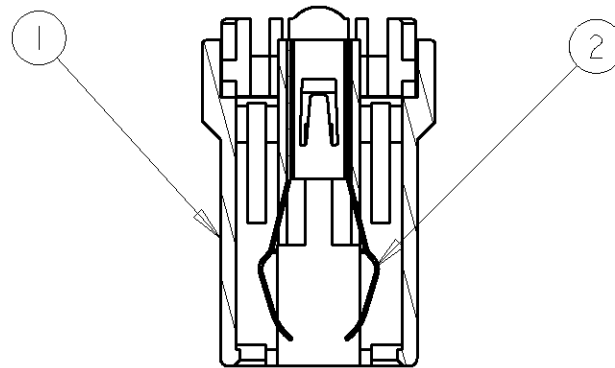
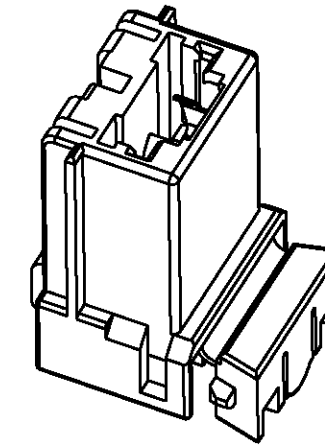
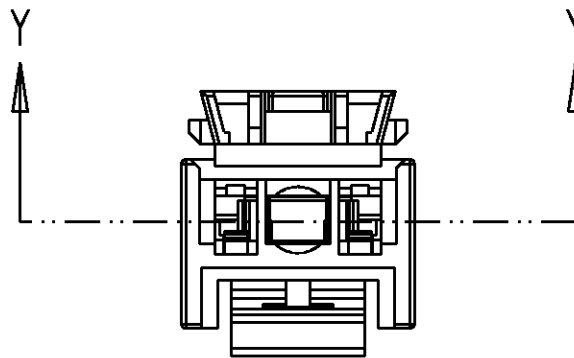
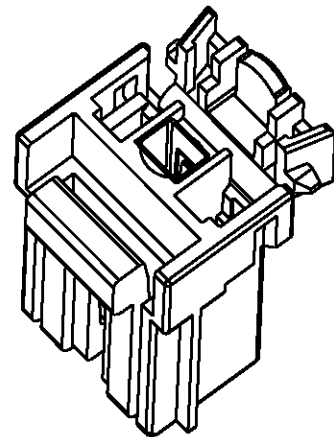
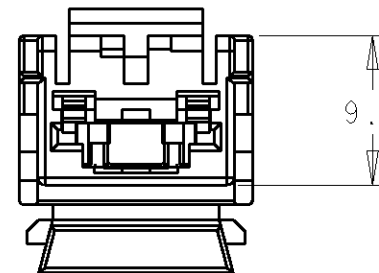
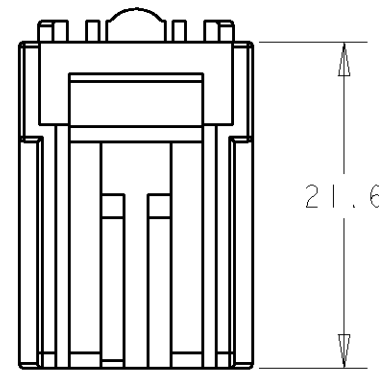


THIS DRAWING IS UNPUBLISHED. RELEASED FOR PUBLICATION 20  
 © COPYRIGHT 20 BY TYCO ELECTRONICS CORPORATION. ALL RIGHTS RESERVED.

LOC	DIST	REVISIONS					
E	B	P	LTR	DESCRIPTION	DATE	DWN	APVD
			O	EB00-0500-95	08/02/96	PG	RS
			A	EB00-0531-98	09/10/98	MA	PB
			B	EB00-0124-99	09/02/99	MA	PB
			C	EBA0-0030-03	08-08-03	MJG	BB



SECTION Y-Y



INHIBITIONS	
348793-1	348793-2
348793-4	348793-3
348793-5	

NOTES

- 348793-5 MATES WITH 348794-5  
 348793-4 MATES WITH 348794-4  
 348793-3 MATES WITH 348794-3  
 348793-2 MATES WITH 348794-2  
 348793-1 MATES WITH 348794-1
- RECEPTACLE FOR 0.5mm WIRE WITH INSULATION 1.6 TO 2.1mm :
- RECEPTACLES TO BE FITTED BEFORE PART IS MATED TO HOUSING
- 962941-2 SHORTING LINK MATERIAL STAINLESS STEEL WITH SELECTIVE GOLD PLATE

COMPONENT (2)	COMPONENT (1)	INS DIA	ASSY PT NO
962941-2	HSG PALE YELLOW PA66	1.8 - 2.1mm	348793-5
962941-2	HSG BRIGHT YELLOW PA66	1.6 - 1.8mm	348793-4
962941-2	HSG BRIGHT YELLOW PA66	1.8 - 2.1mm	348793-3
962941-2	HSG BLUE PA66	1.6 - 1.8mm	348793-2
962941-2	HSG PALE YELLOW PA66	1.6 - 1.8mm	348793-1

THIS DRAWING IS A CONTROLLED DOCUMENT FOR TYCO ELECTRONICS CORPORATION IT IS SUBJECT TO CHANGE AND THE CONTROLLING ENGINEERING ORGANIZATION SHOULD BE CONTACTED FOR THE LATEST REVISION.

DIMENSIONS: mm	TOLERANCES UNLESS OTHERWISE SPECIFIED: 0 PLC ±- 1 PLC ±0.5 2 PLC ±0.5 3 PLC ±0.5 4 PLC ±- ANGLES ±2	DWN P. GAULTON 8-10-94 CHK D. KUIPER-MOORE 8-2-96 APVD R. SIMMONS 8-9-96	<b>tyco</b> Electronics Tyco Electronics UK Ltd, Stanmore, Middx, HA7 4RS.
MATERIAL SEE TABLE & NOTE 4	FINISH -	PRODUCT SPEC 108-3371	NAME 2 WAY SHORTING CONNECTOR RECEPTACLE HOUSING ASSEMBLY
		APPLICATION SPEC -	SIZE A3 CAGE CODE 00779 DRAWING NO C-348793 RESTRICTED TO -
		WEIGHT -	SCALE 2:1 SHEET 1 OF 1 REV C