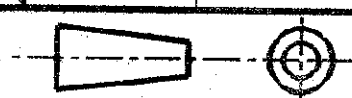
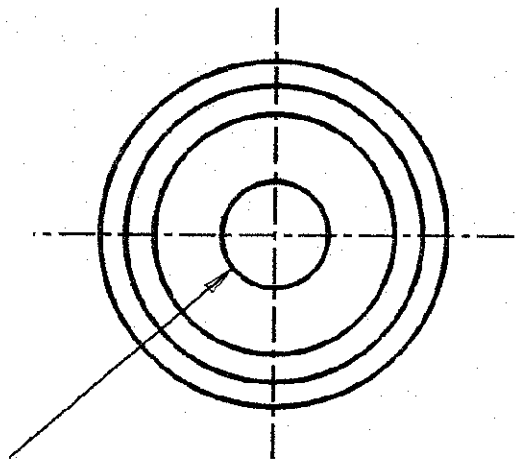


DO NOT SCALE

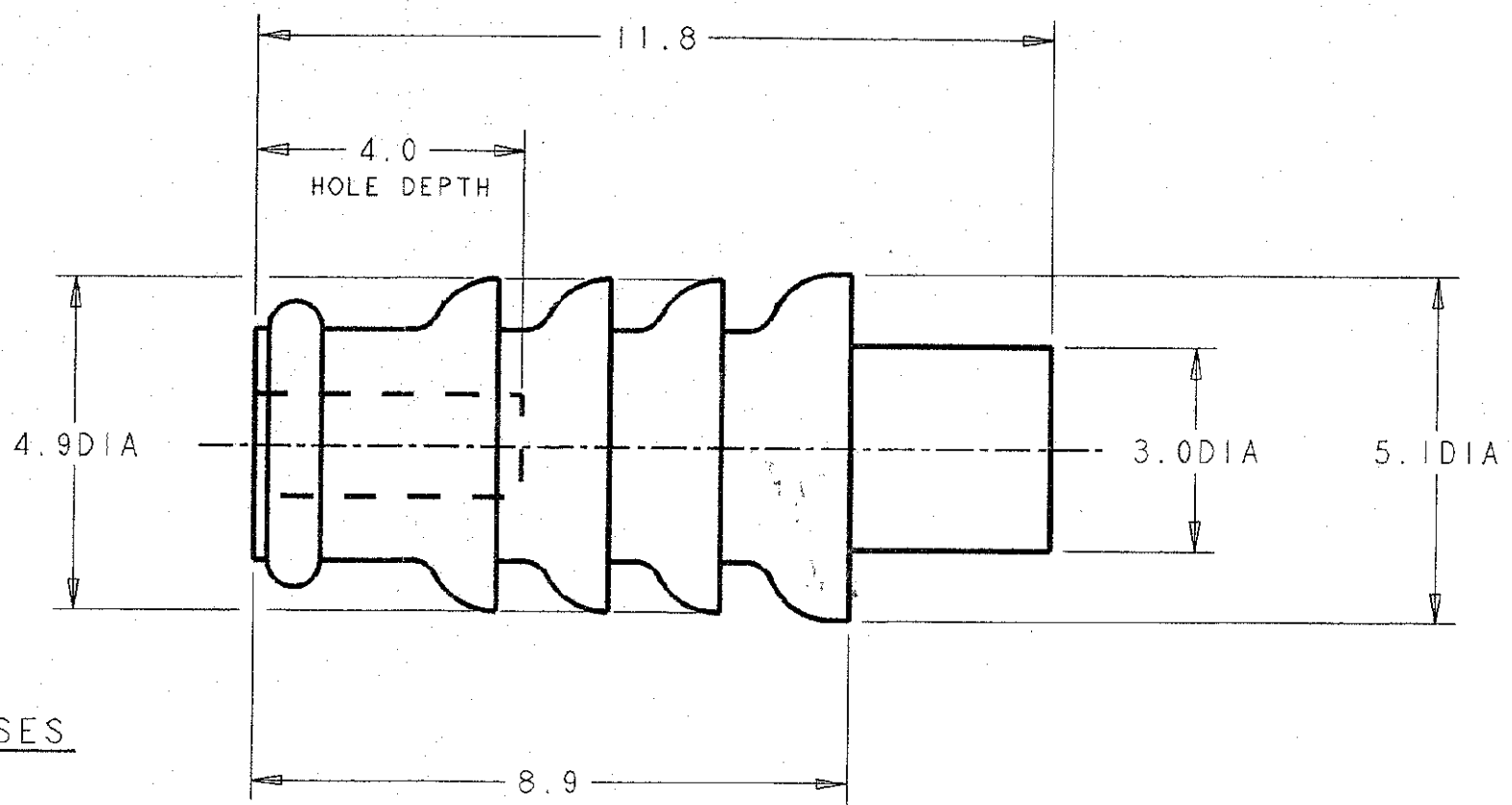
DIMENSIONS IN MM.



# AMP



HOLE: 1.5 DIA FOR TOOLING PURPOSES  
( Optional hole for tooling purposes )



THIS PLUG IS SUITABLE FOR BLANKING OFF UNUSED CAVITIES IN ECONOSEAL 3 LOW CURRENT CONNECTORS.

GREY		SELF-LUBRICATING SILICONE RUBBER		348461-1	
FINISH		MATERIAL		PART NUMBER	
CUSTOMER DWG FOR REFERENCE ONLY			© COPYRIGHT 1993 BY AMP OF GREAT BRITAIN LTD. ALL INTERNATIONAL RIGHTS RESERVED. ALL PRODUCTS MAY BE COVERED BY BRITISH AND FOREIGN PATENTS AND/OR PATENTS PENDING.		
		TOLERANCES UNLESS OTHERWISE STATED :		DR. R.J.S. 22.9.93	
		DEC ± 0.5		CH. K.W. APP. J.P.	
		ANGLES ± 1°			
A1		NOTE ADDED	ECR-14-002006	12FEB2014	
A		RELEASED	EB00-0091-01	12.03.91	
2		TOOLING HOLE ADDED	EB00-0149-96	28.03.96	
1		PRELIM. ISSUE	EB00- -93	22.09.93	
REV		MODIFICATION	CHANGE No.	DATE	
				SCALE	LOC
				10/1	E
				SIZE	DWG.No.
				A 3	C348461
				REV	SHEET
				A1	1 / 1

CAVITY REAR PLUG  
ECONOSEAL 3 LOW CURRENT

C.A.D. FILE CODE  
348461