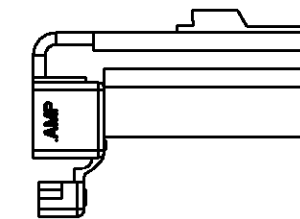
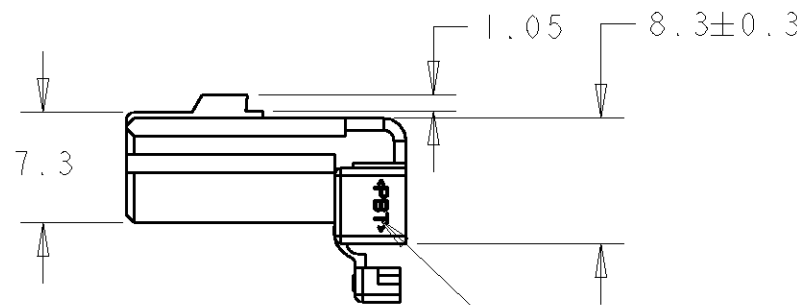
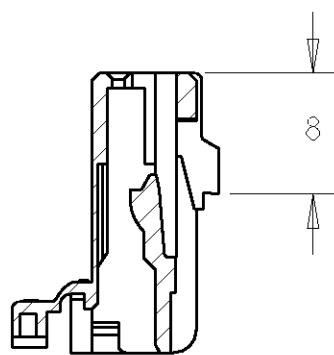
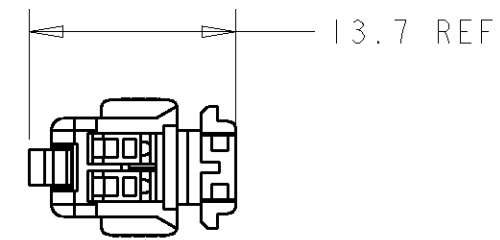
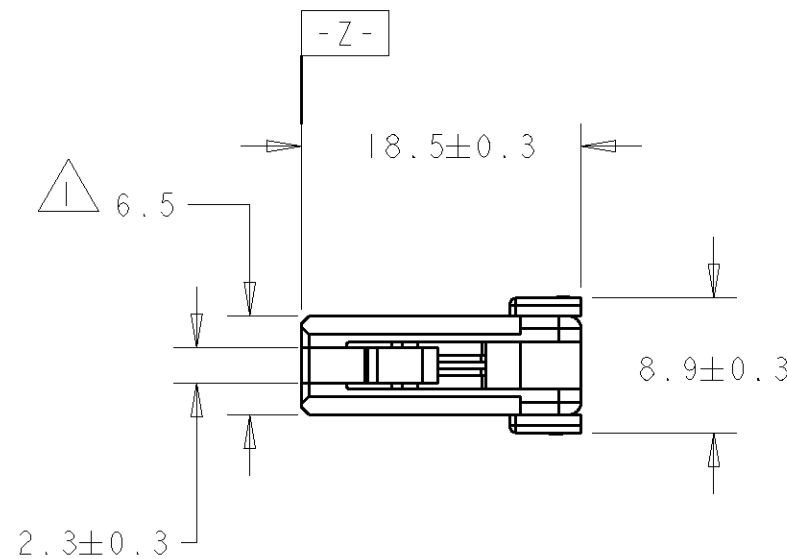
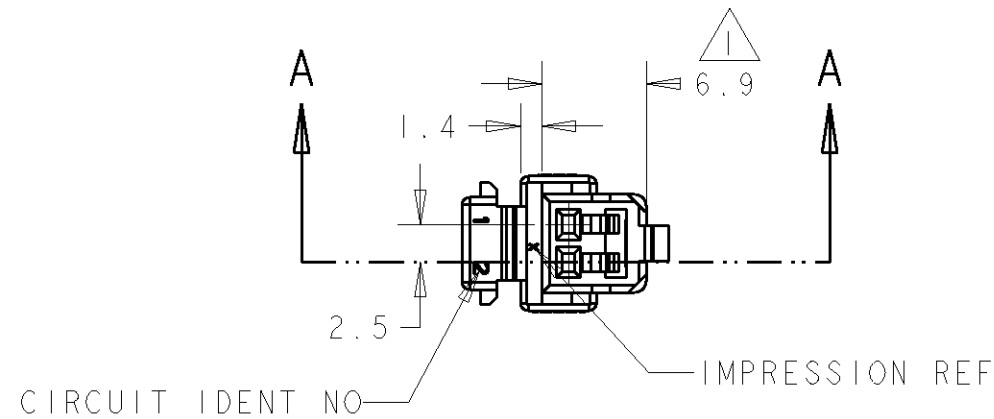
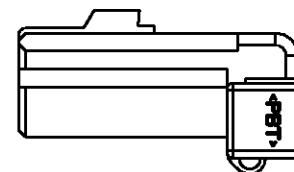


THIS DRAWING IS UNPUBLISHED. RELEASED FOR PUBLICATION 20
 © COPYRIGHT 20 BY TYCO ELECTRONICS CORPORATION. ALL RIGHTS RESERVED.

| LOC | DIST | REVISIONS | | | |
|-----|------|----------------------------|-----------|-----|------|
| P | LTR | DESCRIPTION | DATE | DWN | APVD |
| | 0 | EB00-0527-94 | 17/10/94 | MM | MJW |
| | A | EBA0-0009-04 | 28/02/04 | MJG | BB |
| | A1 | OBSOLETE VARIANT 345166-5 | 11APR2022 | JS | SCK |
| | A2 | OBSOLETE VARIANT 345166- 4 | 17MAY2024 | SDT | KMD |



OBSOLETE



HINGE LOCKED

⚠ TO BE MEASURED WITHIN 2.0 OF **-Z-**

- 2. APPLICABLE 040 RECEPTACLE CONTACT 345160
- 3. MATING CAP HOUSING 345176
- 4. THIS PART SIMILAR TO 174056

| | | | | |
|-----------|-----------------|--------|----------|----------|
| A2 | OBSOLETE | BLUE | PBT | 345166-5 |
| | OBSOLETE | GREEN | PBT | 345166-4 |
| | | BLACK | PBT | 345166-2 |
| | | COLOUR | MATERIAL | PART NO |

| | | | | | |
|---|--|--|--|--|--|
| <small>THIS DRAWING IS A CONTROLLED DOCUMENT FOR TYCO ELECTRONICS CORPORATION IT IS SUBJECT TO CHANGE AND THE CONTROLLING ENGINEERING ORGANIZATION SHOULD BE CONTACTED FOR THE LATEST REVISION.</small> | | DWN 28FEB2004 M.GREENER CHK 28FEB2004 M.HARRIS APVD 28FEB2004 B.BAKER | | | |
| DIMENSIONS: mm | | TOLERANCES UNLESS OTHERWISE SPECIFIED: 0 PLC ±- 1 PLC ±0.5 2 PLC ±0.5 3 PLC ±0.25 4 PLC ±- ANGLES ±2 | | NAME 2 WAY PLUG HOUSING .040 SERIES MULTI-LOCK CONNECTOR | |
| MATERIAL - | | FINISH - | | PRODUCT SPEC 108-3146 APPLICATION SPEC 114-3122 WEIGHT - | |
| | | CUSTOMER DRAWING | | SIZE A3 CAGE CODE 00779 DRAWING NO C-345166 RESTRICTED TO - | |
| | | | | SCALE 3:1 SHEET 1 OF 1 REV A2 | |