

4

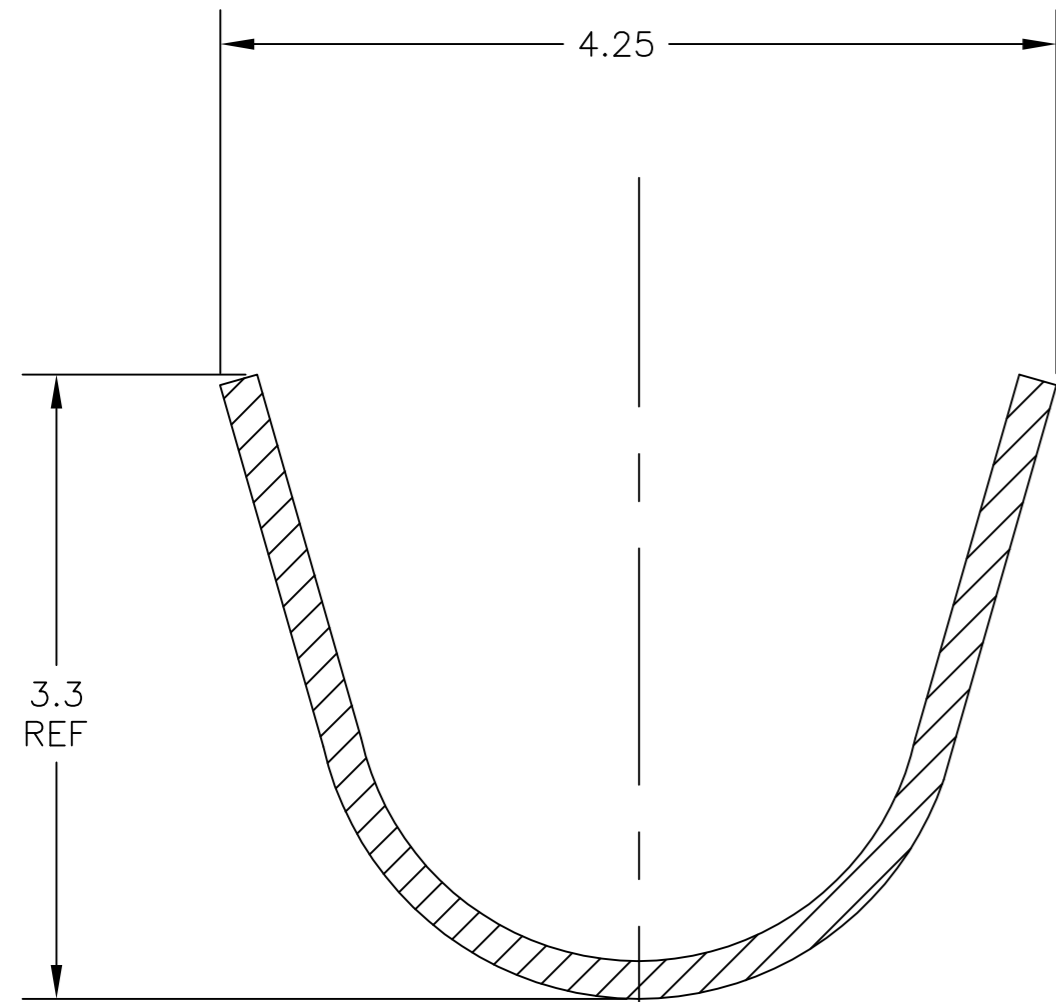
3

2

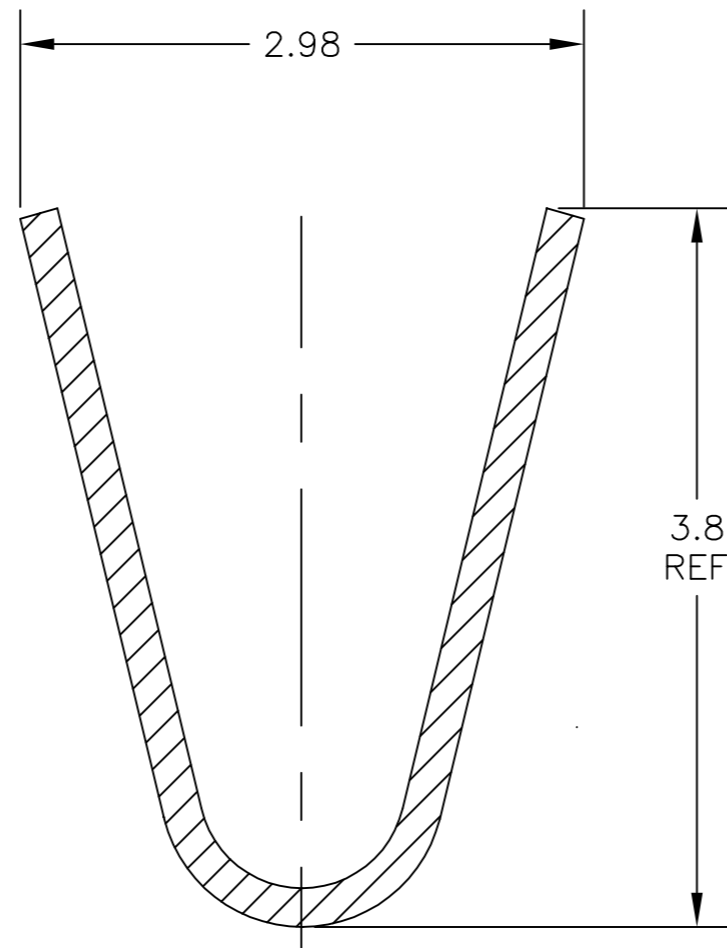
1

THIS DRAWING IS UNPUBLISHED. RELEASED FOR PUBLICATION
 © COPYRIGHT - By - TE CONNECTIVITY ALL RIGHTS RESERVED.

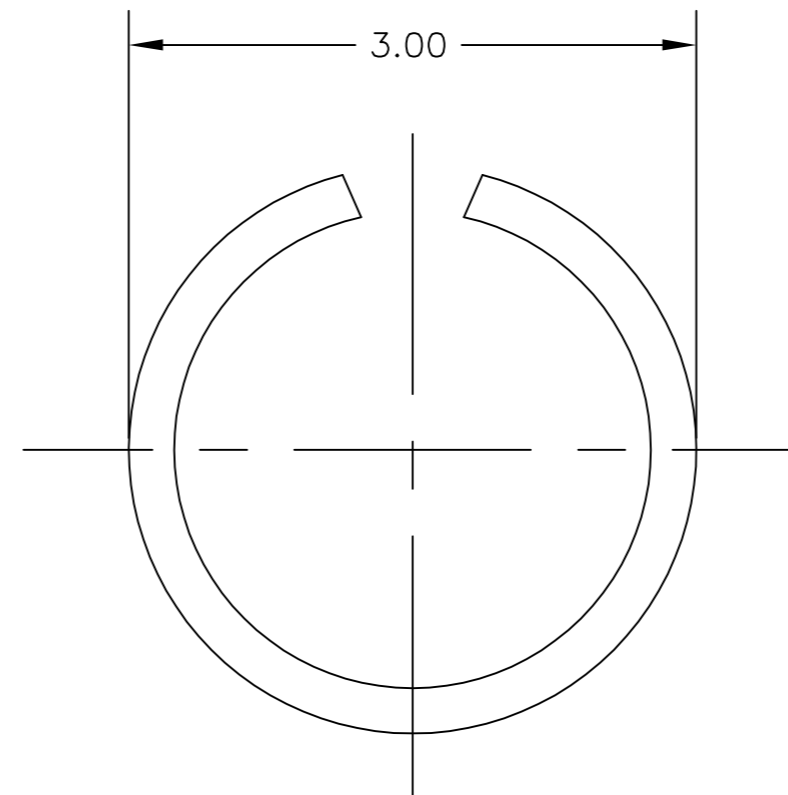
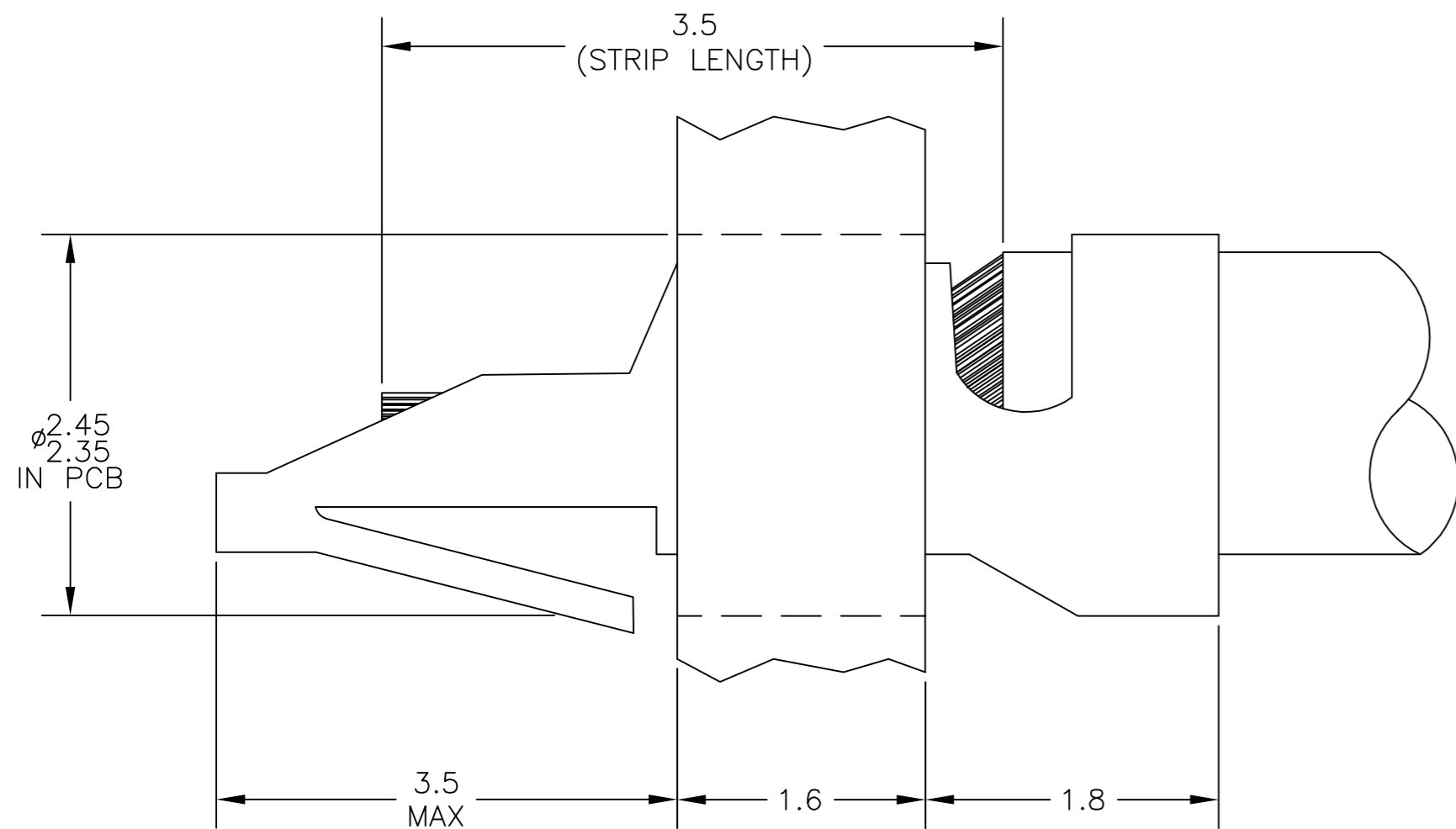
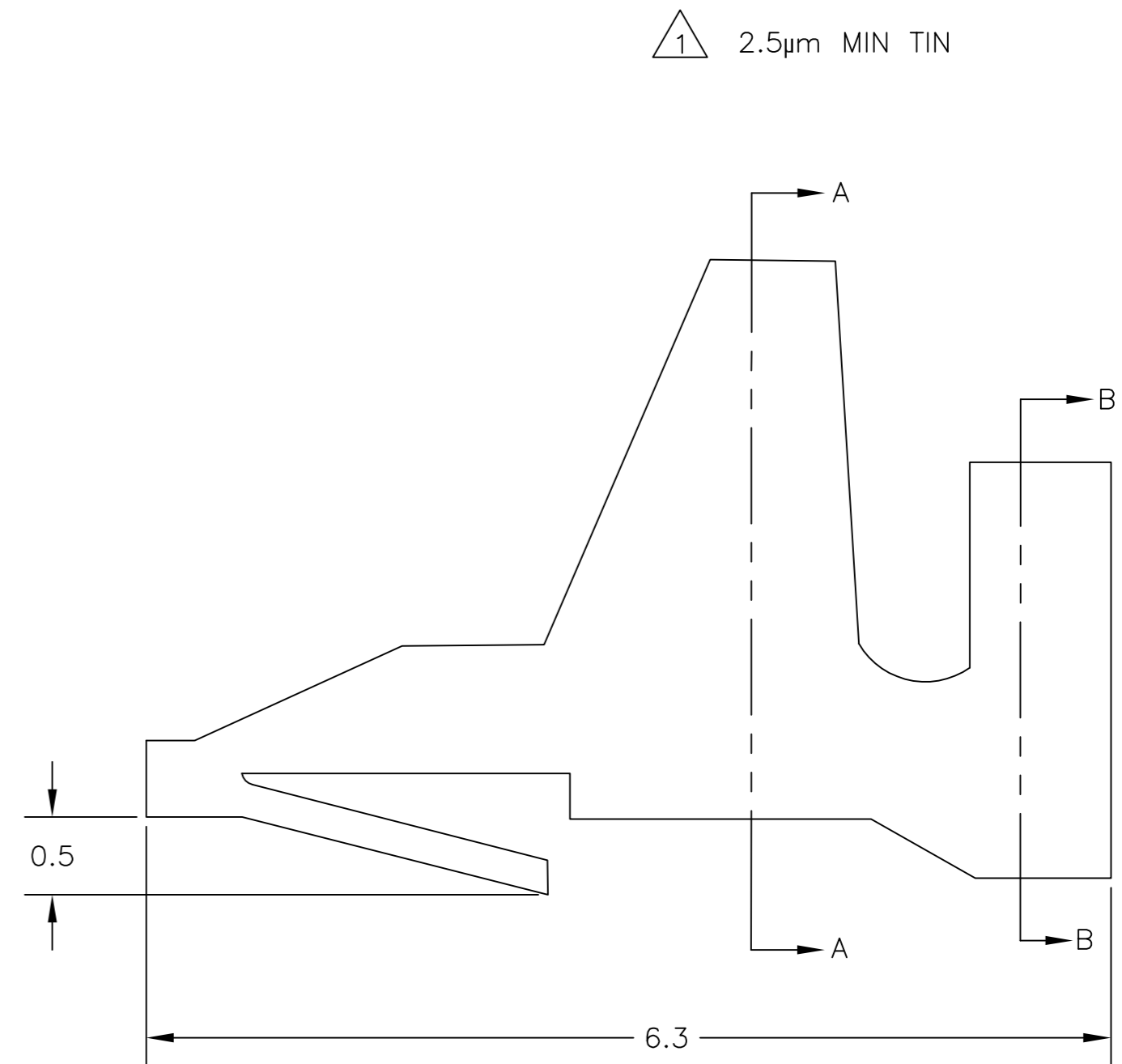
REVISIONS					
P	LTR	DESCRIPTION	DATE	DWN	APVD
	B	REVISED PER ECR-16-017190	20FEB2017	BW	SG



SECTION B-B



SECTION A-A



DRAWING SHOWS 2mm² CABLE WITH
 2.5mm INSULATION DIAMETER

	0.204 THK.	PRE-TIN $\triangle 1$	PHOS. BRONZE	343445-2
OBSOLETE	0.204 THK.	POST-TIN	BRASS	343445-1
	OTHER TREATMENT	FINISH	MATERIAL	PART NUMBER

THIS DRAWING IS A CONTROLLED DOCUMENT.		DWN C. BARRY 13AUG1985		
DIMENSIONS: mm		CHK J. PALMER 13AUG1985		
		APVD J. PALMER 13AUG1985	NAME AMP-IN-MINI (SPECIAL)	
TOLERANCES UNLESS OTHERWISE SPECIFIED:		PRODUCT SPEC	-	
0 PLC ± -		APPLICATION SPEC	-	
1 PLC ± 0.5		WEIGHT	-	
2 PLC ± -		SIZE	A2	
3 PLC ± -		CAGE CODE	00779	
4 PLC ± -		DRAWING NO	C=343445	
ANGLES ± 1°		RESTRICTED TO	-	
MATERIAL		CUSTOMER DRAWING	SCALE	8:1
-		FINISH	SHEET	1 of 1
WIRE RANGE 0.75-2.0mm ²		REV		B
INS. DIA. RANGE 2.20-2.70				