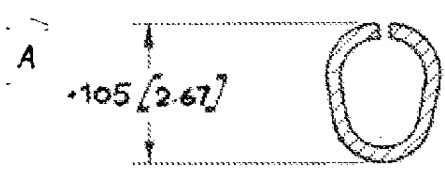
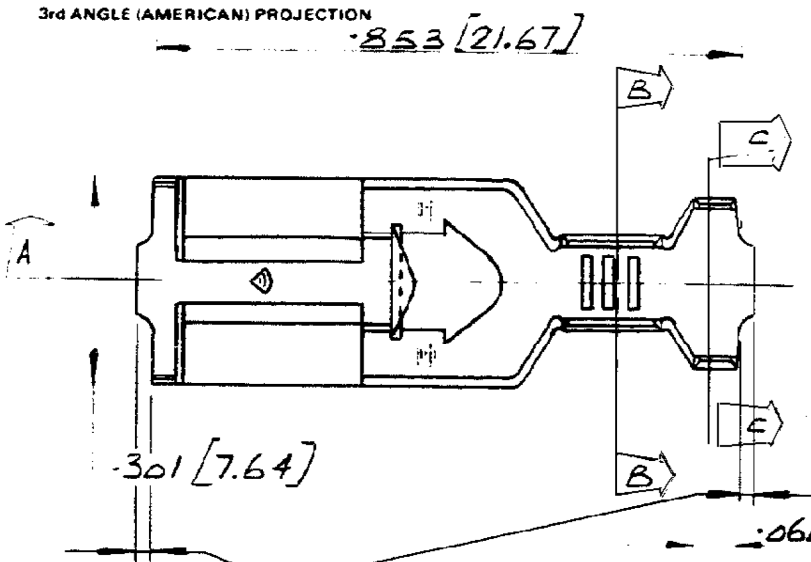


NUMBER
C-341412

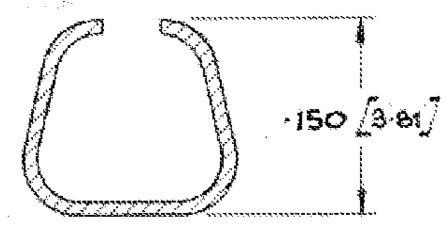
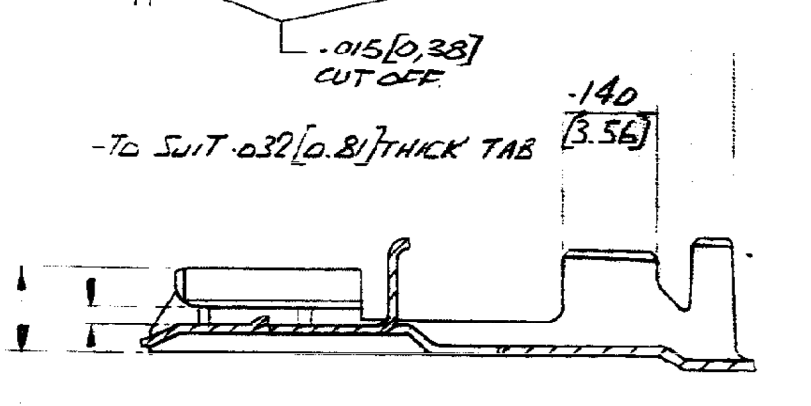
3rd ANGLE (AMERICAN) PROJECTION

DIMENSIONS IN INCHES DO NOT SCALE PRINT
DIMENSIONS THUS [] IN MM.



SECTION B-B

WIRE BARREL SECTION B-B
PRE-FORM TO HEIGHT
SHOWN WITH .115 [2.92] 'F'
CRIMPER



SECTION C-C

INSULATION BARREL SECTION C-C
PRE-FORM TO HEIGHT SHOWN WITH .165
[4.19] 'F' CRIMPER

⚠ OBSOLETE PARTS

PART NO.	MATERIAL	FINISH	
C-341412-5	NICKEL SILVER	NONE	⚠
C-341412-4	PHOSPHOR BRONZE	PRE-TIN	⚠
C-341412-3	PHOSPHOR BRONZE	NONE	⚠
C-341412-2	BRASS	PRE-TIN	
C-341412-1	BRASS	NONE	

REV PER ECR-19-008681	PC	DL	04OCT2019
Adding note for pre-form height	C.J	RRP	13JUN11
1 PRELIMINARY ISSUE	JPS	-	3/5/77
ISS	REVISION RECORD	DR	CHK
DR	J.P. STOCKWELL	DE	4-12
CHK		APP	

© TE of GREAT BRITAIN LTD
1978

MATERIAL AND FINISH
SEE TABLE

TE TE Connectivity

CLASS

TYPE

WIRE RANGE - INSULATION
0.5mm - 2.9mm

TOLERANCE EXCEPT AS NOTED
SCALE 4:1

LOC REV NO
E A1 C-341412

NAME
LOOSE PIECE PART
POSITIVE LOCK RECEPTACLE MK II (270)

PRINT DIST.