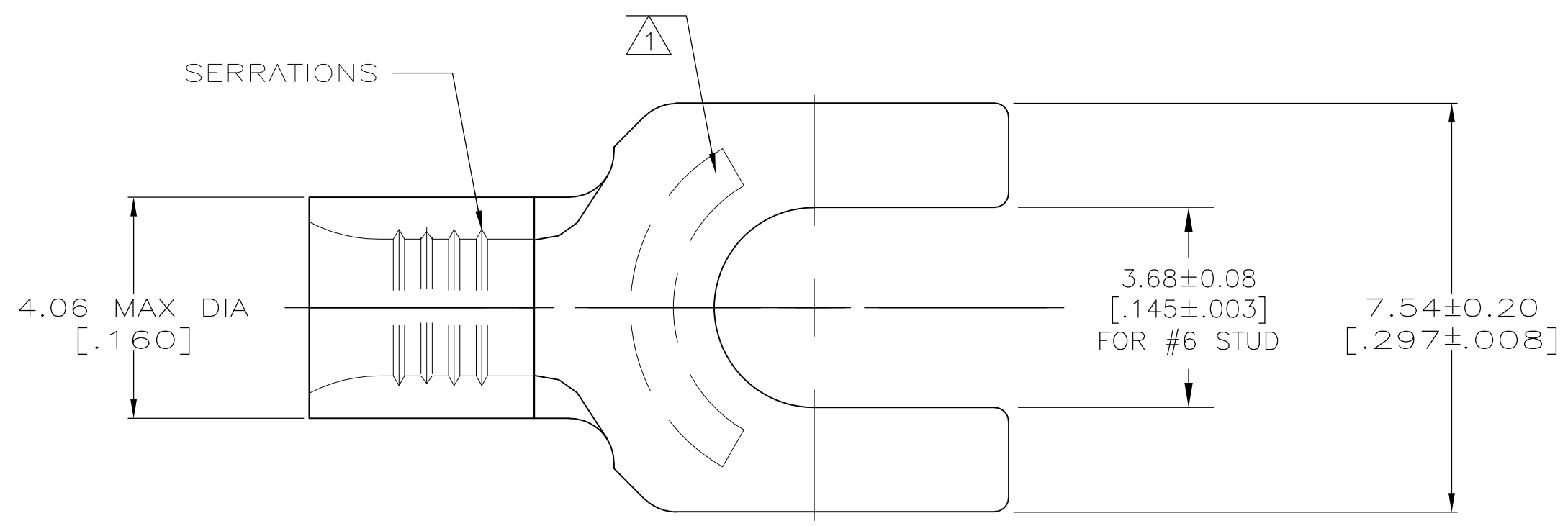


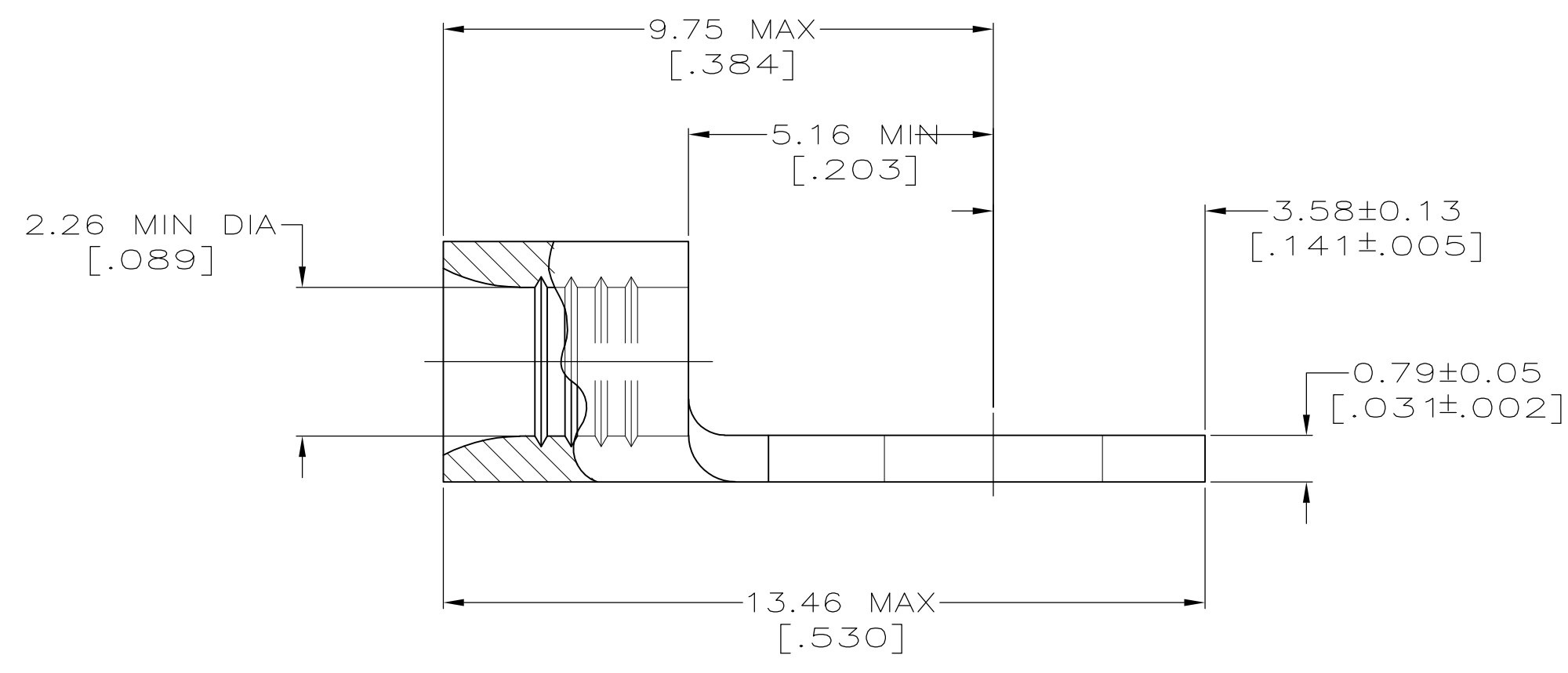
THIS DRAWING IS UNPUBLISHED. RELEASED FOR PUBLICATION
 © COPYRIGHT BY TYCO ELECTRONICS CORPORATION. ALL INTERNATIONAL RIGHTS RESERVED.

LOC	DIST	REVISIONS					
		P	LTR	DESCRIPTION	DATE	DWN	APVD
G	14			D1 REVISED PER ECR 09-023200	27OCT09	JR	TM



AMP WIRE RANGE	Listed FILE E13288	LR7189 Certified
16-14 AWG STRANDED	16-14 AWG STRANDED	NOT CERTIFIED

- 1 STAMP AMP 16-14*, APPROX AS SHOWN
- 2 COPPER PER ASTM B-152, ANNEALED
- 3 0.00254 [.000100] MIN TIN PER ASTM B-545



50	LOOSE PIECE, BOX	8-33202-2
--	LOOSE PIECE	33202
QTY	PACKAGE TYPE	PART NUMBER

CUSTOMER SERVICE SYSTEMS FOR ADDITIONAL PRODUCT INFORMATION OR COPIES OF DRAWINGS AND TECHNICAL DOCUMENTS PRODUCT INFORMATION CENTER 1-800-522-6752 FOR APPLICATION TOOLING ASSISTANCE CENTER TOOLING INFORMATION 1-800-722-1111 FOR ORDER ENTRY 1-800-526-5142		MAX RECOMMENDED OPERATING TEMPERATURE: 170°C MAX VOLTAGE RATING: N/A CIRCULAR MIL AREA: 1.04-2.62mm ² [2,050-5,180] STRANDED	THIS DRAWING IS A CONTROLLED DOCUMENT. DIMENSIONS: MM [INCHES] 	TOLERANCES UNLESS OTHERWISE SPECIFIED: 0 PLC ± - 1 PLC ± - 2 PLC ± 0.20 [.008] 3 PLC ± - 4 PLC ± - ANGLES ± - FINISH - 2 - 3 -	DWN TA BRINKMAN 1-28-93 CHK DA PATTERSON 1-28-93 APVD JL MECKLEY 1-28-93 PRODUCT SPEC APPLICATION SPEC WEIGHT -	Tyc Tyc Electronics Corporation Harrisburg, PA 17105-3608 NAME TERMINAL, SPADE TONGUE, BUDGET SIZE A2 CAGE CODE 00779 DRAWING NO C-33202 RESTRICTED TO - SCALE 10:1 SHEET 1 of 1 REV D1
		THIS DRAWING IS A CONTROLLED DOCUMENT FOR AMP INCORPORATED. IT IS SUBJECT TO CHANGE AND THE CONTROLLING ENGINEERING ORGANIZATION SHOULD BE CONTACTED FOR THE LATEST REVISION.			CUSTOMER DRAWING	