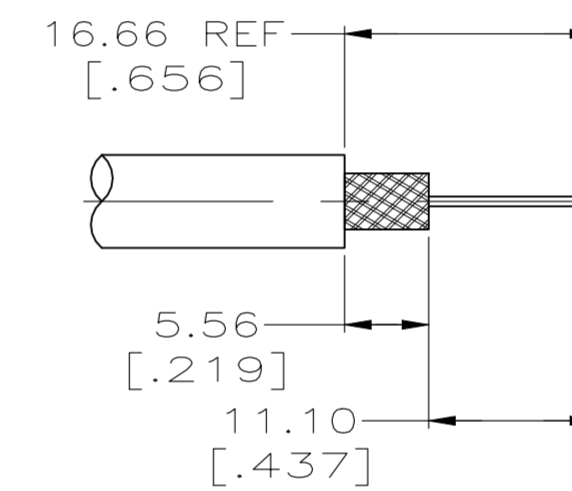
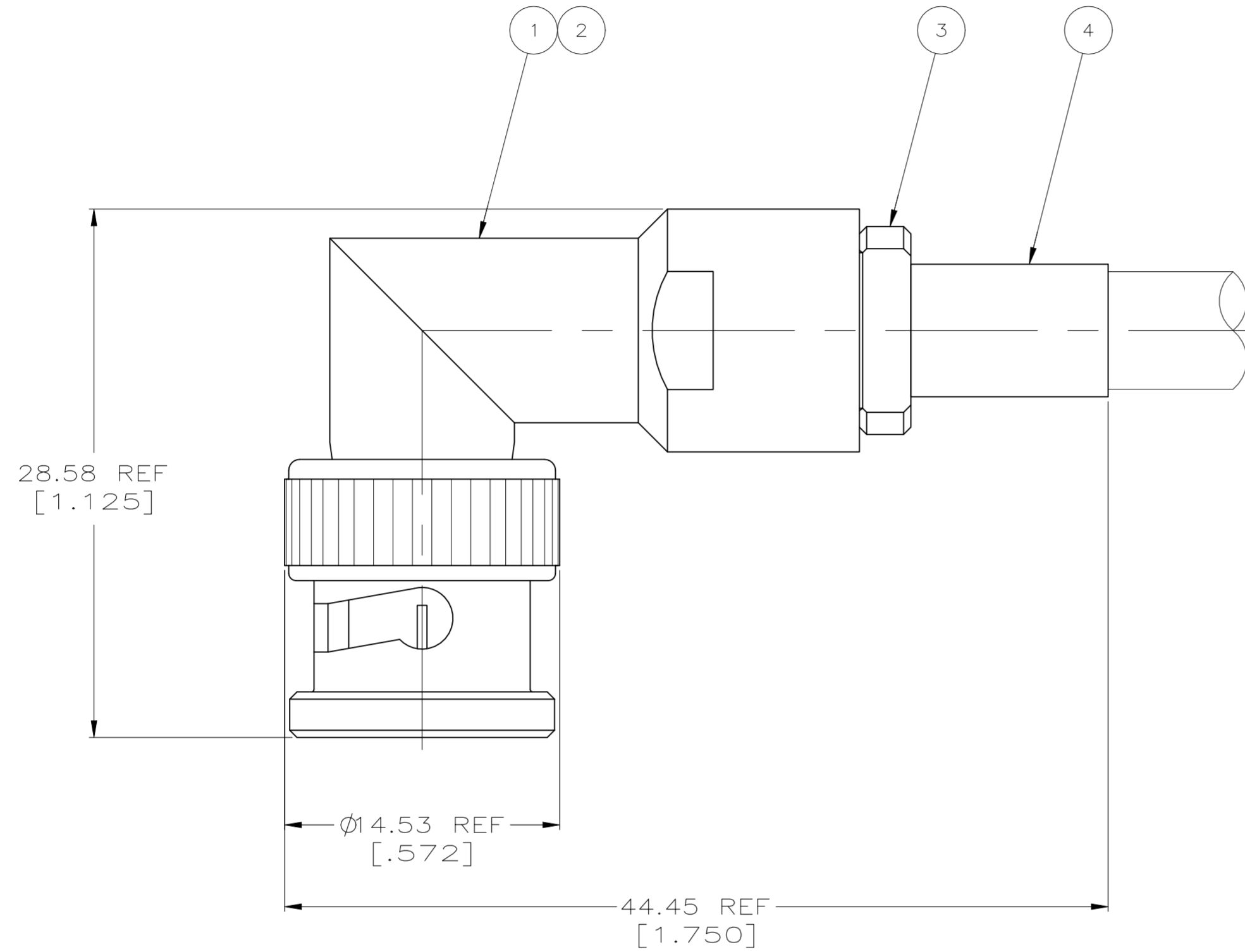


REVISIONS					
P	LTR	DESCRIPTION	DATE	DWN	APVD
K1		REVISED PER ECN-21-122181	18OCT2021	RZ	WK

1. USE INSTRUCTION SHEET 1799-5



RECOMMENDED STRIP LENGTH  
SCALE 2:1

SUPERSEDED BY 329926	-	-	-	-	-	-	2-331182-1
	RG-55/U, 55A/U, 55B/U, 223/U	69140-2	9-414489-0	50793-1	2-329106-1	330797	331182
	RG-142/U, 142A/U, 142B/U	69331-1					
	CABLE	CRIMP TOOL	④ FERRULE QTY=1	③ CRIMP END ASSEMBLY QTY=1	② GASKET QTY=1	① PLUG ASSEMBLY, BULKHEAD QTY=1	PART NUMBER

THIS DRAWING IS A CONTROLLED DOCUMENT.		DWN 09FEB96 MICHAEL E. COWHER		TE Connectivity	
DIMENSIONS: mm [INCHES]		CHK 15FEB96 FRANK P. MORANA		NAME -	
TOLERANCES UNLESS OTHERWISE SPECIFIED:		APVD 15FEB96 FRANK P. MORANA	PRODUCT SPEC -		
0 PLC ± -		APPLICATION SPEC -	SIZE A2	CAGE CODE 00779	DRAWING NO C=331182
1 PLC ± -			WEIGHT 0.000000	SCALE 4:1	SHEET 1 of 1
2 PLC ± 0.41 [.016]			CUSTOMER DRAWING	REV K1	
3 PLC ± -					
4 PLC ± -					
ANGLES ± -					
FINISH					