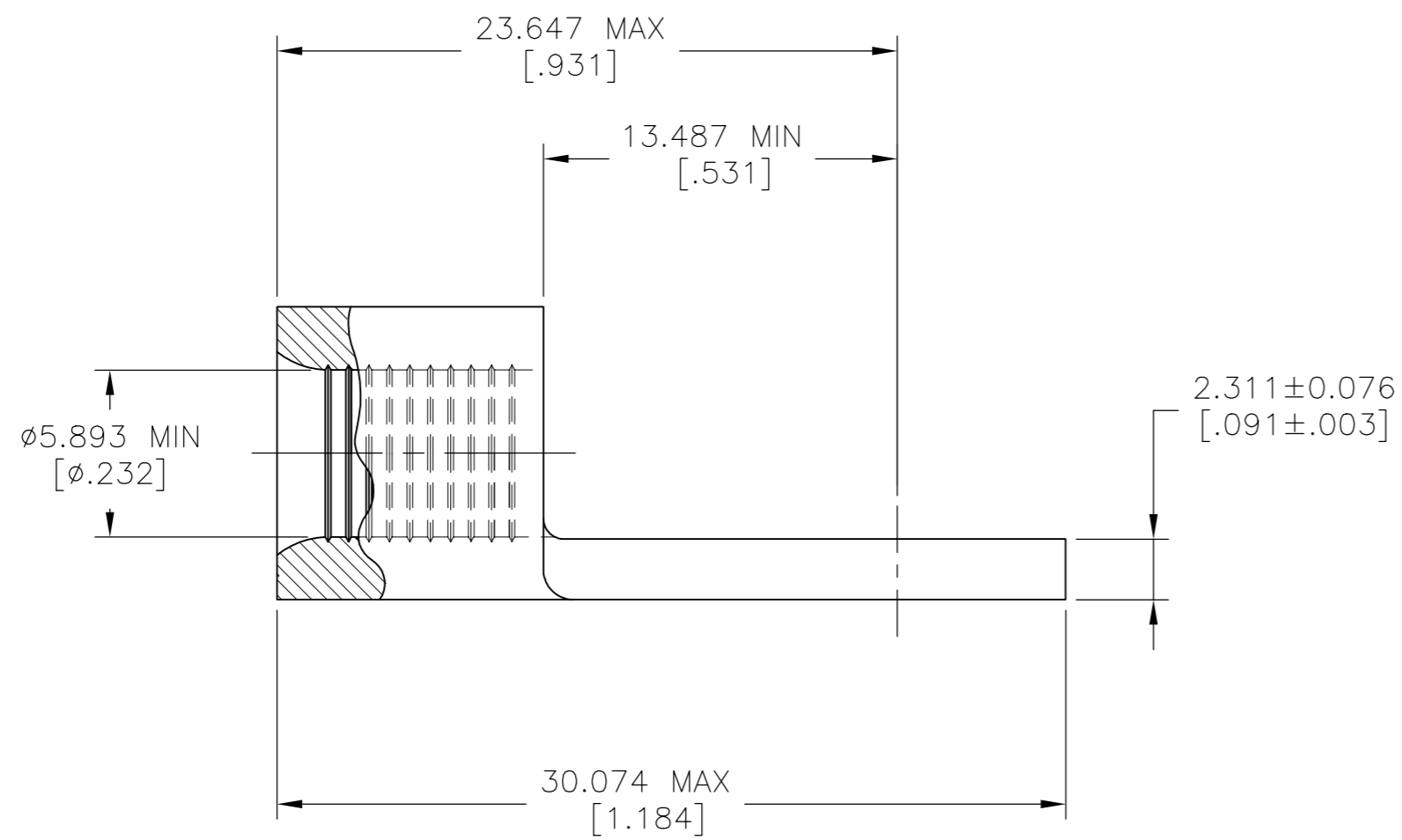
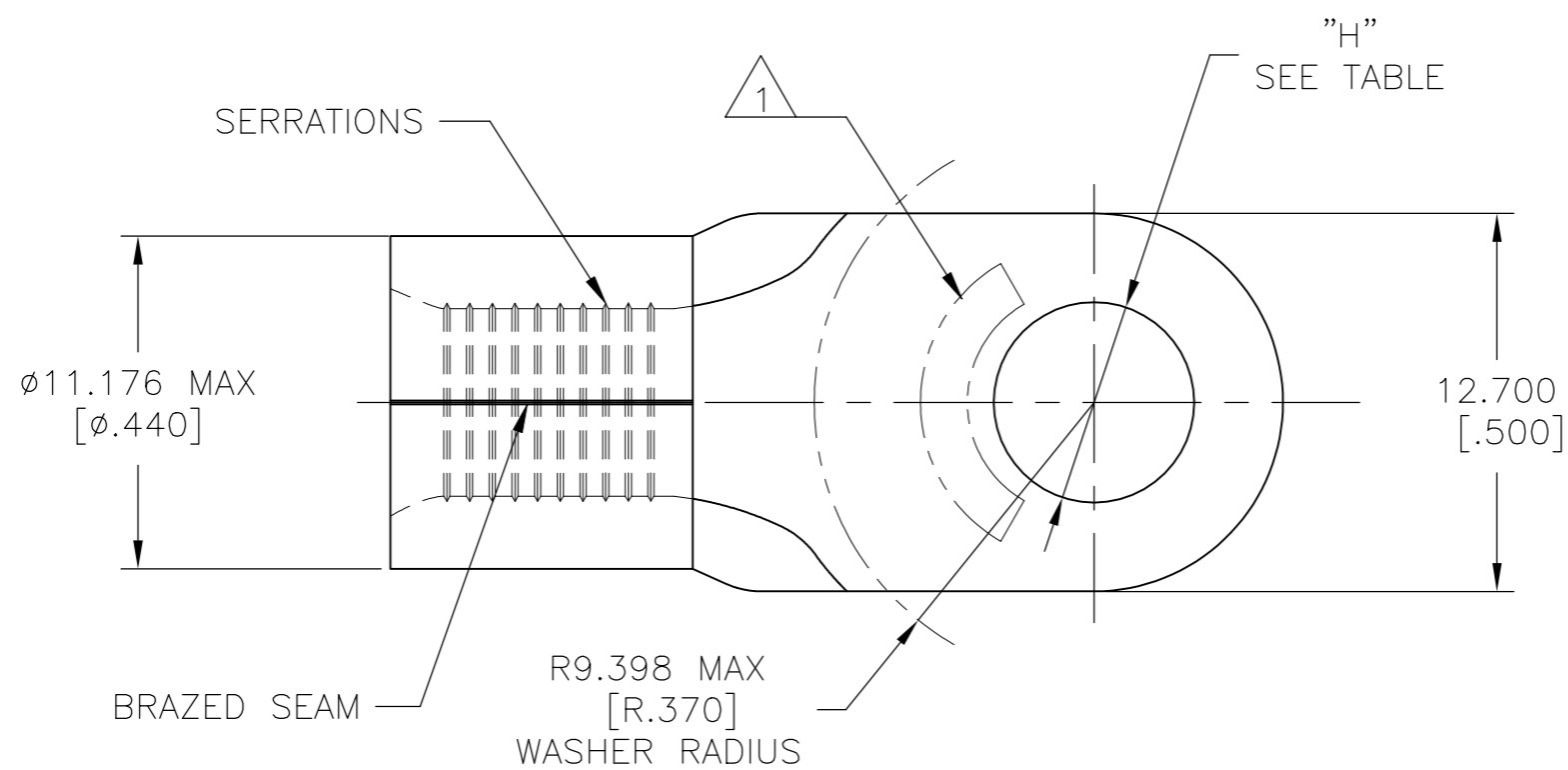


THIS DRAWING IS UNPUBLISHED. RELEASED FOR PUBLICATION
 © COPYRIGHT - TE Connectivity Ltd. ALL RIGHTS RESERVED.

REVISIONS					
P	LTR	DESCRIPTION	DATE	DWN	APVD
F		REV, RDRAWN PER 0720-0040-93	3-24-93	-	DAP
F1		REVISED PER ECO-17-008806	19FEB2018	RS	DR



AMP WIRE RANGE	E13288 Listed
6HD AWG SOLID OR STRANDED	6HD AWG STRANDED
LR7189 Certified	MILITARY P/N AND CLASS
6HD AWG SOLID OR STRANDED	NOT APPLICABLE

STAMP AMP 6HDW* APPROX AS SHOWN

100	LOOSE PIECE	1/4	Ø6.731±0.127 [Ø.265±.005]	330969
QTY	PACKAGE TYPE	STUD SIZE	"H"	PART NO

AMP INCORPORATED CUSTOMER SERVICE SYSTEMS		THIS DRAWING IS A CONTROLLED DOCUMENT.		DWN TA BRINKMAN 3-24-93	TE Connectivity Ltd.
FOR ADDITIONAL PRODUCT INFORMATION OR COPIES OF DRAWINGS AND TECHNICAL DOCUMENTS PRODUCT INFORMATION CENTER 1-800-522-6752		DIMENSIONS: mm [INCHES]		CHK DA PATTERSON 3-24-93	
FOR APPLICATION TOOLING ASSISTANCE CENTER 1-800-722-1111		TOLERANCES UNLESS OTHERWISE SPECIFIED: 0 PLC ± - 1 PLC ± - 2 PLC ± - 3 PLC ± 0.127[.005] 4 PLC ± - ANGLES ± -		APVD DE MILLER 3-24-93	NAME UL 486 A-B
FOR ORDER ENTRY 1-800-526-5142		WIRE CROSS SECTIONAL AREA RANGE, 10.5-16.8mm²[20,800-33,100] CIR MILS SOLID OR STRANDED		MATERIAL COPPER PER PER ASTM B-152 ANNEALED	APPLICATION SPEC -
		FINISH TIN PLATE 0.00254[.000100] MIN THK PER ASTM B545		WEIGHT	SIZE A2
				CUSTOMER DRAWING	CAGE CODE 00779
					DRAWING NO C=330969
					RESTRICTED TO -
					SCALE 4:1
					SHEET 1 OF 1
					REV F1