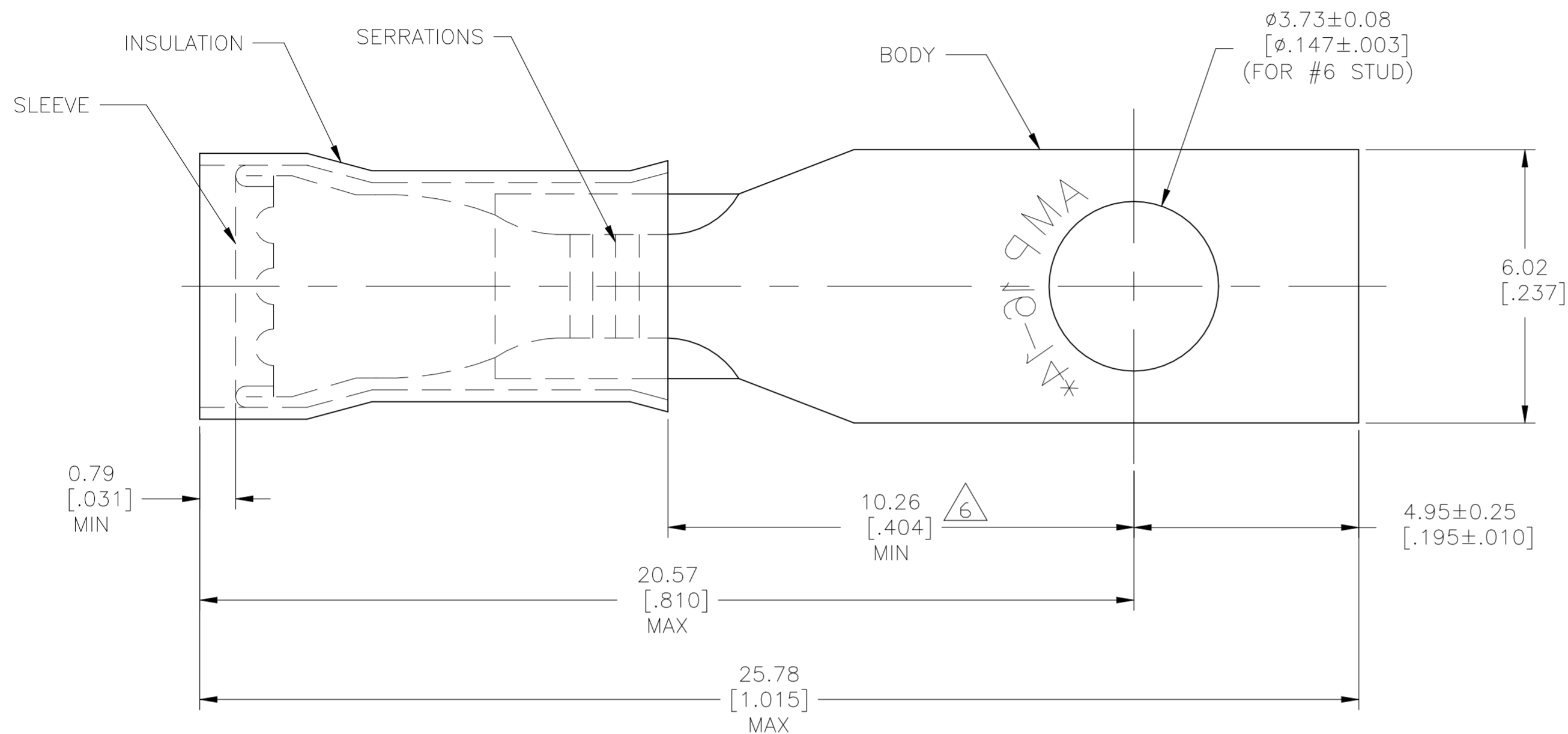


REVISIONS					
P	LTR	DESCRIPTION	DATE	DWN	APVD
P3		REVISED PER ECN-22-156403	03JUN2022	RK	CSD



- 1 WIRE INSULATION DIAMETER: SEE TABLE
- 2 TONGUE MATERIAL THK: $0.79 \pm .05$ [.031 ± .002]
- 3 FINISH: 0.00254 [.000100] MIN THK TIN PLATE (ASTM-B545)
- 4 PVC - BLUE
- 5 NYLON ASTM-D4066 TYPE 1 - BLUE
- 6 APPLIES FROM THE METAL EDGE OF THE BARREL TO THE CENTER OF THE STUD
- 7 MEETS MS17143-14, CLASS 1

OBSELETE	3	5	2.67-3.81 [.105-.150]	100	ON TAPE, SMALL BOX	2-327958-7
SUPERSEDED BY 2-327958-1	3	5	2.67-3.81 [.105-.150]	1000	ON TAPE, LARGE BOX	2-327958-6
SUPERSEDED BY 2-327958-4	3	5	2.67-3.81 [.105-.150]	5000	ON TAPE, REEL	2-327958-5
	3	5	2.67-3.81 [.105-.150]	-	LOOSE PIECE	7 2-327958-4
OBSELETE	3	5	2.92-4.32 [.115-.170]	5000	ON TAPE, REEL	2-327958-2
	3	5	2.92-4.32 [.115-.170]	-	LOOSE PIECE	2-327958-1
SUPERSEDED BY 2-327958-1	3	4	2.92-4.32 [.115-.170]	-	LOOSE PIECE	327958

BODY FINISH	INSULATION MATERIAL	WIRE INSULATION DIAMETER	QTY	DESCRIPTION	PART NO
THIS DRAWING IS A CONTROLLED DOCUMENT.					
DIMENSIONS: mm [INCHES]			TOLERANCES UNLESS OTHERWISE SPECIFIED: 0 PLC ± - 1 PLC ± - 2 PLC ± - 3 PLC ± 0.20 [.008] 4 PLC ± - ANGLES ± -		
MATERIAL BODY & SLEEVE COPPER (ASTM-B152)		FINISH SEE TABLE		WEIGHT - CUSTOMER DRAWING	
DWN RAGHAVENDRA 01SEP09 CHK JEFF RUTH 01SEP09 APVD TOM MICHELUTTI 01SEP09 PRODUCT SPEC APPLICATION SPEC		NAME RAGHAVENDRA JEFF RUTH TOM MICHELUTTI			
SIZE A2 CAGE CODE 00779 DRAWING NO C-327958		RESTRICTED TO - SCALE 10:1 SHEET 1 OF 1 REV P3			



TERMINAL,
PIDG, RECTANGULAR TONGUE,
WIRE SIZE : 16-14