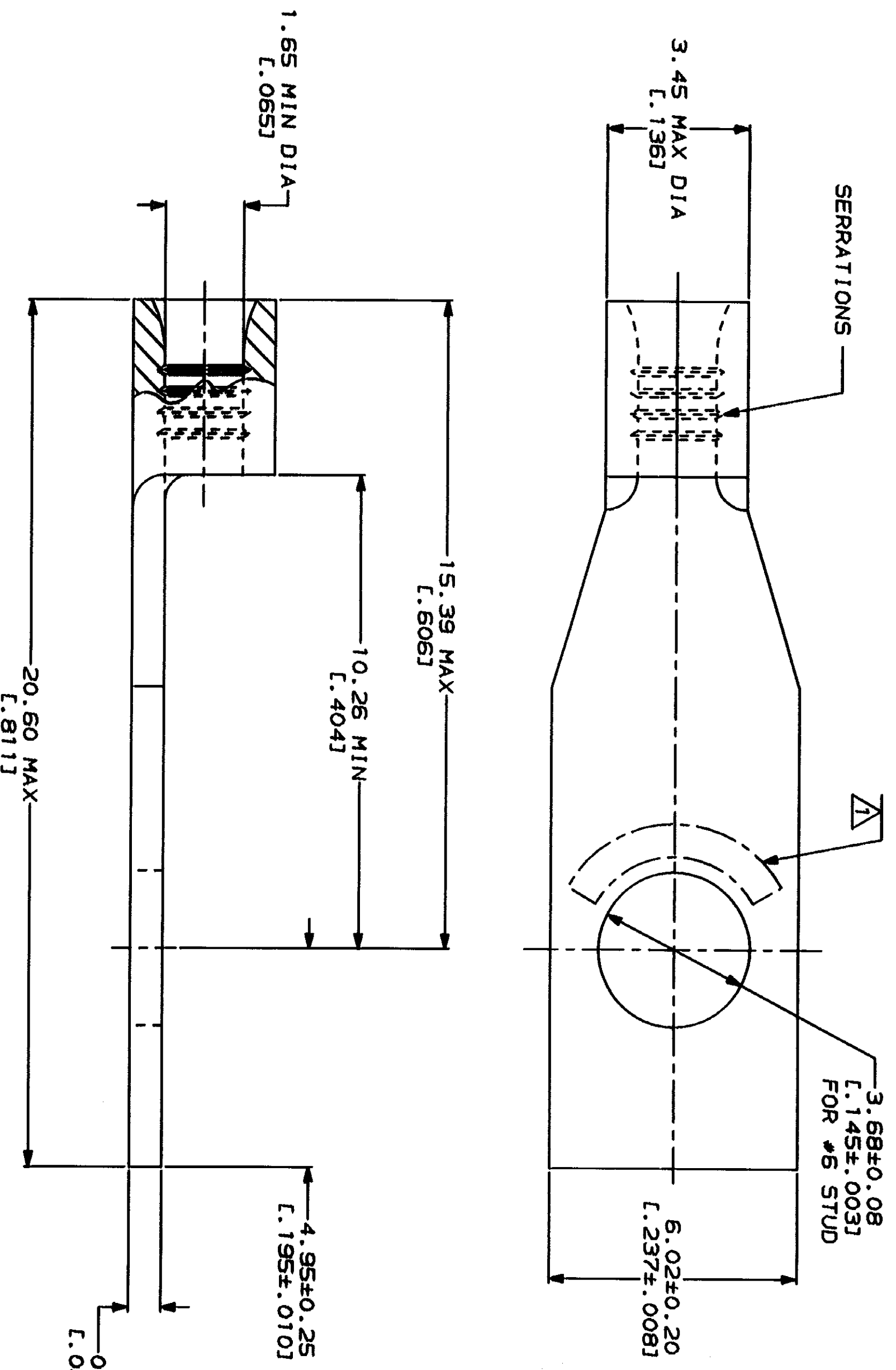


METPRIG

DIMENSIONS LISTED IN mm [INCHES]

WIRE RANGE	E13288 Listed
22-16 AWG STRANDED	22-16 AWG STRANDED
NOT CERTIFIED	MILITARY P/N AND CLASS
	NOT APPLICABLE

△ STAMP AMP 22-18* APPROX AS SHOWN
22-16 TERMINALS ARE STAMPED 22-18 IN
ACCORDANCE WITH MILITARY SPECIFICATION
MIL-T-7928, COMMERCIAL WIRE RANGE IS 22-16



AMP INCORPORATED
CUSTOMER SERVICE SYSTEMS

FOR ADDITIONAL
PRODUCT INFORMATION OR
COPIES OF DRAWINGS
AND TECHNICAL DOCUMENTS

FOR APPLICATION
TOOLING INFORMATION

MAX RECOMMENDED OPERATING
TEMPERATURE: 170°C MAX

VOLTAGE RATING:
NOT APPLICABLE

WIRE CROSS SECTIONAL AREA RANGE:
0.26-1.65mm² [509-3,260] CIR MILS
STRANDED

PRODUCT INFORMATION CENTER
1-800-522-6752

TOOLING ASSISTANCE CENTER
1-800-722-1111

FOR ORDER ENTRY
1-800-526-5142

DO NOT SCALE PRINT.
UNLESS SPECIFIED
DIMENSIONS IN INCHES
TOLERANCES ON:

1 PLG DEC ± .005

2 PLG DEC ± .002

3 PLG DEC ± .001

ANGLES

MATERIAL
COPPER PER
ASTM B-152
ANNEALED

FINISH
TIN PLATE
0.00254 [L.000100] MIN
THK PER MIL-T-10727

DR 3-4-83
TA BRINKMAN

CHK 3-4-83
DA PATTERSON

APPD 3-4-83
DE MILLER

APPD 3-4-83
J. HECKLEY

PRODUCT SPEC

APPLICATION SPEC

WEIGHT

AMP Incorporated
Horrisburg, PA 17105-3608

TERMINAL, RECTANGULAR
TONGUE, BUDGET

NAME

SIZE CAGE CODE DRAWING NO

00779 327955

SCALE 10:1

SHEET 1 OF 1

327955

PART NO

CUSTOMER DRAWING