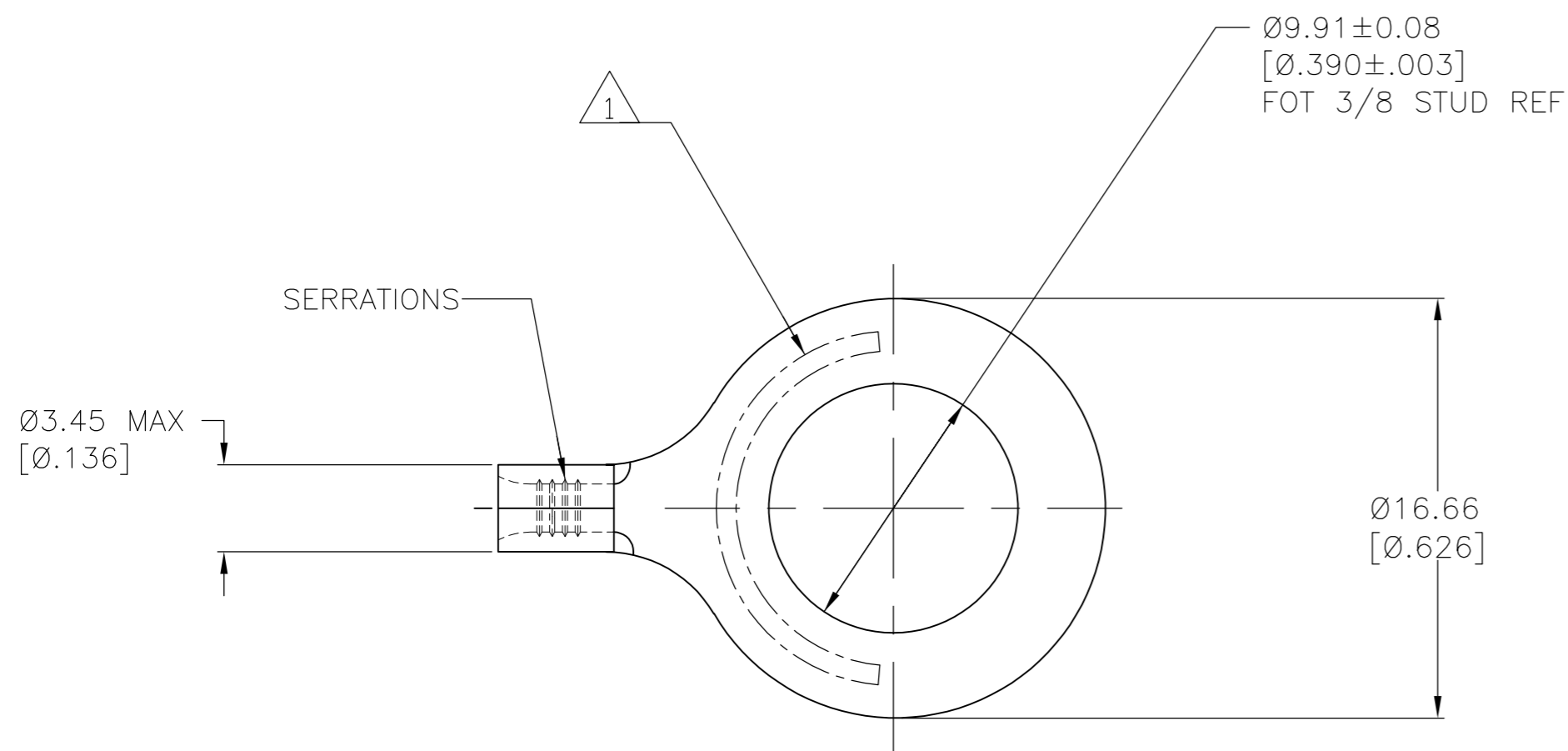


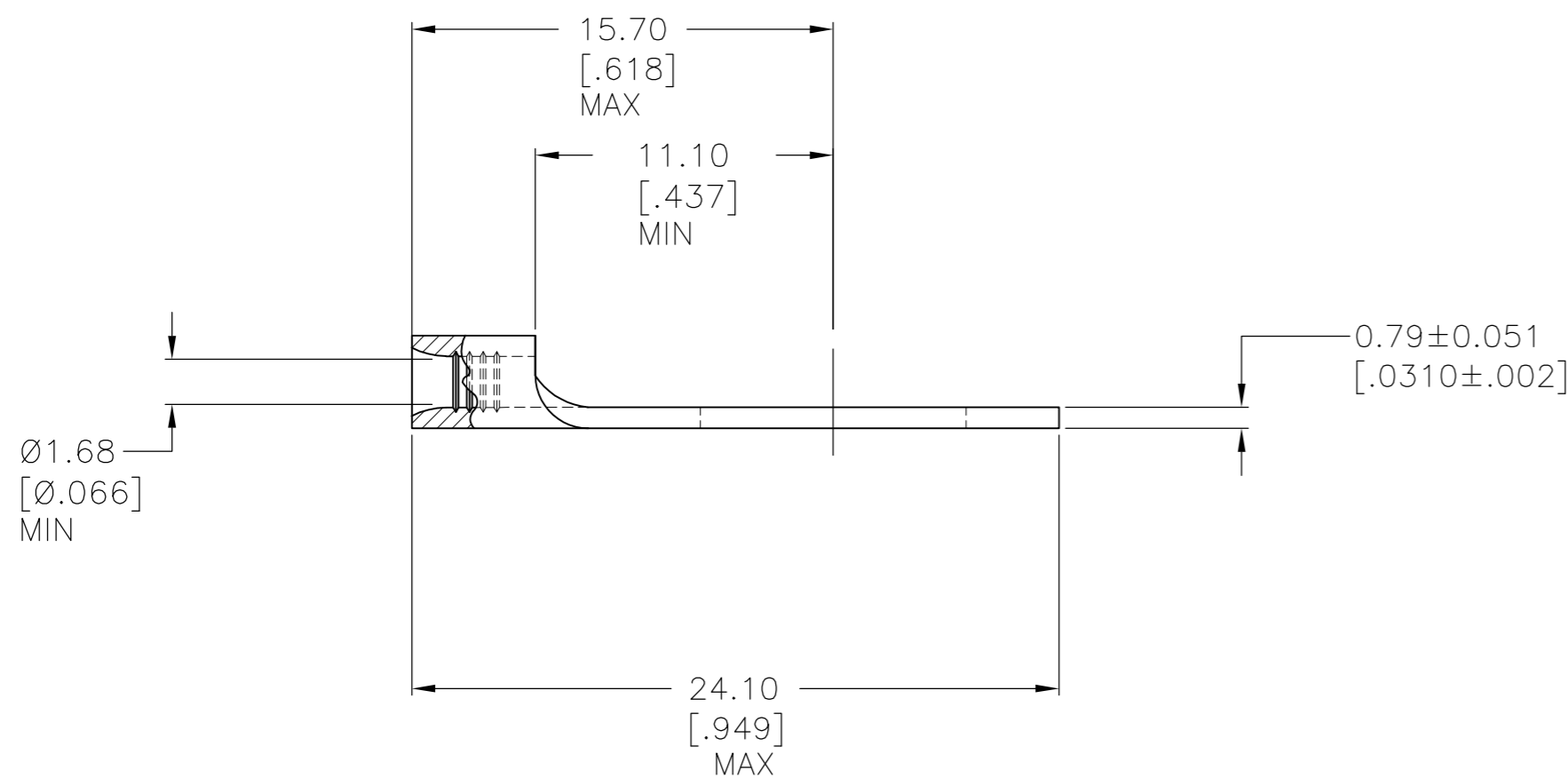
THIS DRAWING IS UNPUBLISHED. RELEASED FOR PUBLICATION  
 © COPYRIGHT - By - ALL RIGHTS RESERVED.

REVISIONS				
P	LTR	DESCRIPTION	DATE	APVD
A		REVISED PER ECO-16-012676	30AUG2016	NK DR



<b>AMP</b> WIRE RANGE	Listed FILE E13288	LR7189 Certified
22-16 AWG STRANDED	22-16 AWG STRANDED	22-16 AWG STRANDED

- 1 STAMP AMP 22-18\* APPROX AS SHOWN  
22-16 TERMINALS ARE STAMPED  
22-18 IN ACCORDANCE WITH  
MILITARY SPEC SAE AS7928  
COMMERCIAL WIRE RANGE IS 22-16
- 2 TIN PLATE 0.00380 [.000150] MIN PER  
ASTM B-545.



1000	LOOSE PIECE	321521
QTY	PACKAGE TYPE	PART NO.

<b>AMP INCORPORATED</b> <b>CUSTOMER SERVICE SYSTEMS</b>		MAX RECOMMENDED OPERATING TEMPERATURE: 170°C [338°F] MAX		THIS DRAWING IS A CONTROLLED DOCUMENT.		DWN DK SCHRUM 04/30/92 CHK DA PATTERSON 4/3-/92		TE Connectivity							
		FOR ADDITIONAL PRODUCT INFORMATION OR COPIES OF DRAWINGS AND TECHNICAL DOCUMENTS PRODUCT INFORMATION CENTER 1-800-522-6752		VOLTAGE RATING: N/A		DIMENSIONS: mm [ INCHES ]				TOLERANCES UNLESS OTHERWISE SPECIFIED: 0 PLC ± - 1 PLC ± - 2 PLC ± 0.20[.008] 3 PLC ± - 4 PLC ± - ANGLES ± -		NAME DA PATTERSON 4/30/92 PRODUCT SPEC UL - 486 A APPLICATION SPEC NOT AVAILABLE			
FOR APPLICATION TOOLING ASSISTANCE CENTER TOOLING INFORMATION 1-800-722-1111		CIRCULAR MIL AREA: [509-3,260] STRANDED		MATERIAL COPPER ASTM B-152		FINISH 		SIZE A2		CAGE CODE 00779		DRAWING NO C-321521		RESTRICTED TO -	
FOR ORDER ENTRY 1-800-526-5142								WEIGHT CUSTOMER DRAWING		SCALE 4:1		SHEET 1 of 1		REV A	