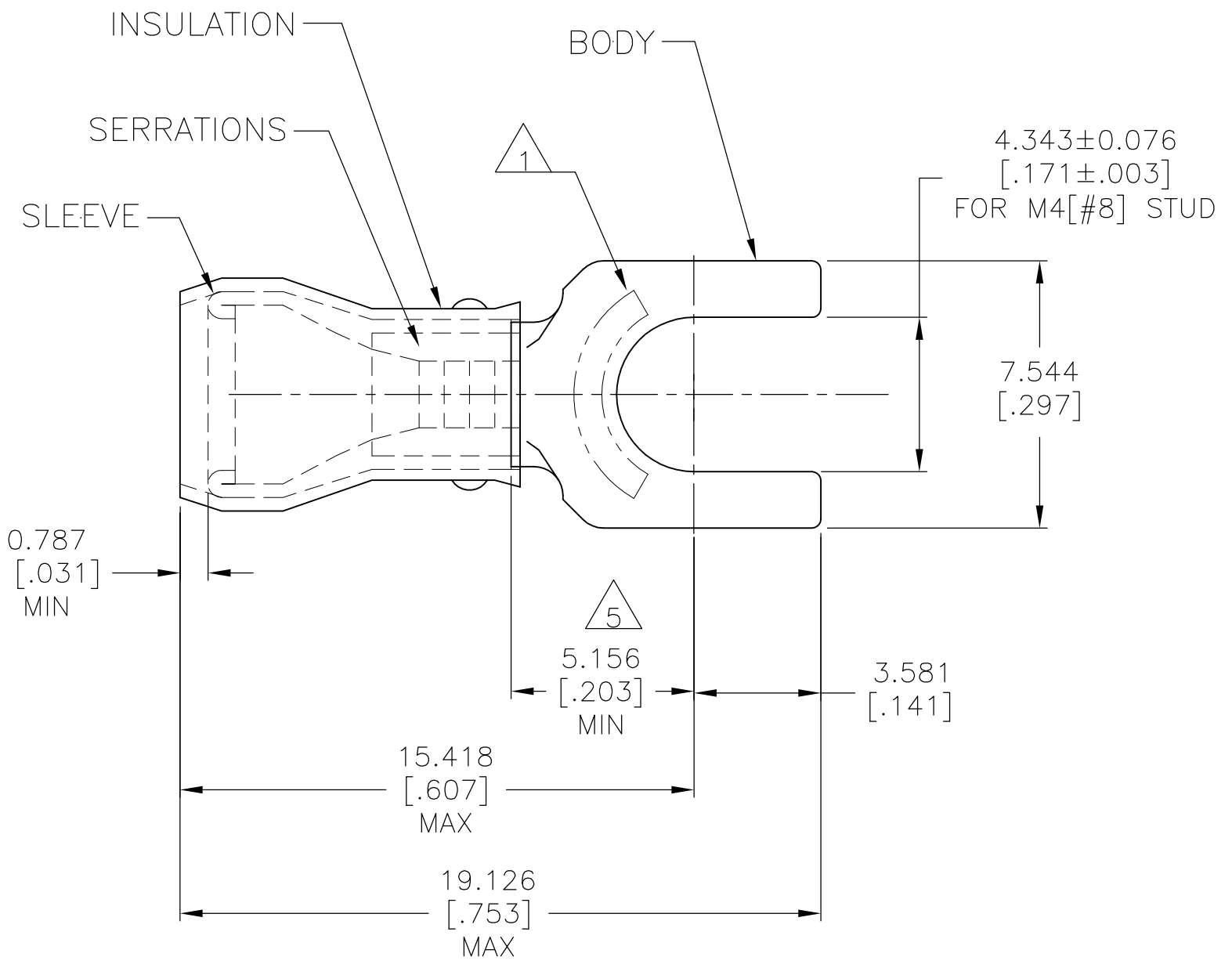


REVISIONS					
P	LTR	DESCRIPTION	DATE	DWN	APVD
	G1	REVISED PER ECO-11-004917	11MAR11	RK	HMR
	G2	REVISED PER ECO-17-007400	23NOV2017	RS	DR

AMP WIRE RANGE	Listed FILE E13288	LR7189 Certified
16-14 AWG SOLID OR STRANDED	16-14 AWG SOLID OR STRANDED	16-14 AWG SOLID OR STRANDED



- 1 STAMP AMP 16-14* LOCATE APPROX AS SHOWN.
- 2 WIRE INSUL ϕ 2.921-4.318[ϕ .115-.170]
- 3 BODY MATL THK, 0.787±0.051[.031±.002]
- 4 MATERIAL: BODY & SLEEVE - CU PER ASTM B152
INSULATION - NYLON.
- 5 APPLIES FROM THE METAL EDGE OF BARREL
TO THE CENTER OF THE STUD HOLE.
- 6 FINISH: BODY & SLEEVE - TIN PLATE PER ASTM B545
INSULATION - COLOR, BLUE.

5000	ON TAPE, REEL	2-321233-1
1000	LOOSE PIECE	321233
QTY	PACKAGE TYPE	PART NO

CUSTOMER SERVICE SYSTEMS		MAX RECOMMENDED OPERATING TEMPERATURE: 105°C [221°F]	THIS DRAWING IS A CONTROLLED DOCUMENT.		DWN jr_ruth 15JUL09	TE Connectivity				
FOR ADDITIONAL PRODUCT INFORMATION OR COPIES OF DRAWINGS AND TECHNICAL DOCUMENTS	PRODUCT INFORMATION CENTER 1-800-522-6752	VOLTAGE RATING: 300V MAX	DIMENSIONS: mm [INCHES]	TOLERANCES UNLESS OTHERWISE SPECIFIED:	CHK TOM MICHIELUTTI 15JUL09					NAME TOM MICHIELUTTI TERMINAL, SPADE, PIDG, WIRE SIZE: 16-14
FOR APPLICATION TOOLING INFORMATION	TOOLING ASSISTANCE CENTER 1-800-722-1111	CIRCULAR MIL AREA: 1.04-2.62mm ² [2,050-5,180] SOLID OR STRANDED		0 PLC ± - 1 PLC ± - 2 PLC ± - 3 PLC ± 0.127[.005] 4 PLC ± - ANGLES ± -	APVD TOM MICHIELUTTI 15JUL09	PRODUCT SPEC UL 486 A-B	SIZE A3	CAGE CODE 00779	DRAWING NO C-321233	
FOR ORDER ENTRY	1-800-526-5142	THIS DRAWING IS A CONTROLLED DOCUMENT FOR AMP INCORPORATED. IT IS SUBJECT TO CHANGE AND THE CONTROLLING ENGINEERING ORGANIZATION SHOULD BE CONTACTED FOR THE LATEST REVISION.	MATERIAL 4	FINISH 6	WEIGHT -	CUSTOMER DRAWING		SCALE 6:1	SHEET 1 OF 1	REV G2