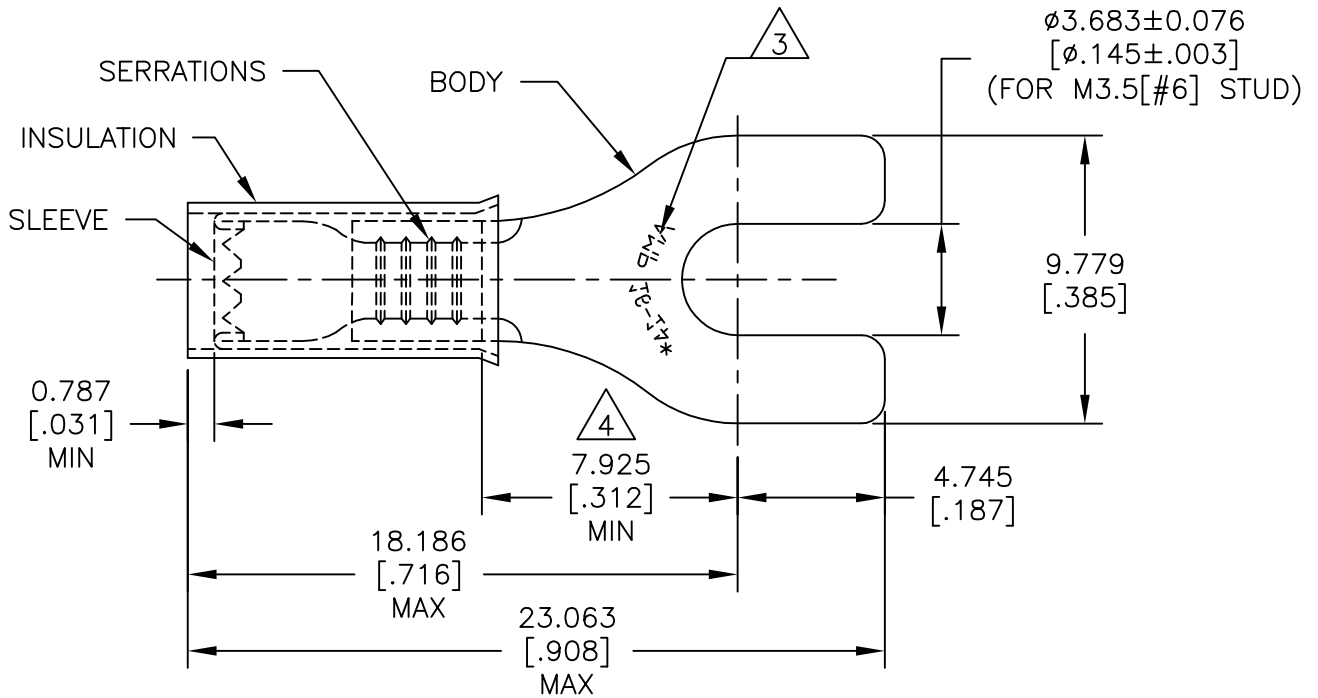


REVISIONS				
P	LTR	DESCRIPTION	DATE	APVD
	E1	REDRAWN PER ECO-17-007400	13DEC2017	DR

AMP WIRE RANGE	Listed FILE E13288	LR7189 Certified
16-14 AWG SOLID OR STRANDED	16-14 AWG SOLID OR STRANDED	16-14 AWG SOLID OR STRANDED



1 BODY MATERIAL THICKNESS: 0.787±0.051[.031±.002]

2 FOR Ø2.921[Ø.115] TO Ø4.318[Ø.170] WIRE INSULATION.

3 STAMP AMP 16-14* APPROX AS SHOWN.

4 APPLIES FROM EDGE OF METAL WIRE BARREL TO CENTER OF STUD HOLE.

5 MATERIAL:
BODY & SLEEVE: COPPER PER ASTM B152
INSULATION: NYLON.

6 FINISH:
BODY & SLEEVE: TIN PLATE PER ASTM B545
INSULATION: COLOR - BLUE.

1000	LOOSE PIECE	32058
QTY.	PACKAGE TYPE	PART NO.

THIS DRAWING IS UNPUBLISHED.

ALL RIGHTS RESERVED.

COPYRIGHT - TE Connectivity Ltd.

DIMENSIONS: mm [INCHES]	DWN RAVI S	13DEC2017	MATERIAL	5	FINISH	6					
	CHK ROHDE DANIEL F	13DEC2017	TE Connectivity NAME: WIRE TERMINAL, P.I.D.G.- SPADE, WIRE SIZE : 16-14 AWG								
TOLERANCES UNLESS OTHERWISE SPECIFIED:	APVD ROHDE DANIEL F	13DEC2017									
0 PLC ± -	PRODUCT SPEC	UL 486 A-B	SIZE	A4	CAGE CODE	00779	DRAWING NO	32058	RESTRICTED TO	-	
1 PLC ± -	APPLICATION SPEC	114-2157	WEIGHT	-	CUSTOMER DRAWING		SCALE	6:1	SHEET	1 OF 1	
2 PLC ± -										REV	E1
3 PLC ± 0.127[.005]											
4 PLC ± -											
ANGLES ± 5°											