

Thermofit® Molded Parts

Specification Control Drawing

Part Number: 301A022 thru 034-XXS
Description: Transition, "T"
 with Heat Recoverable Screen

Notes:

- All dimensions are in $\frac{\text{Inches}}{[\text{Millimeters}]}$
- Dimensions appearing in table are as follows:
 a - as supplied
 b - after unrestricted recovery

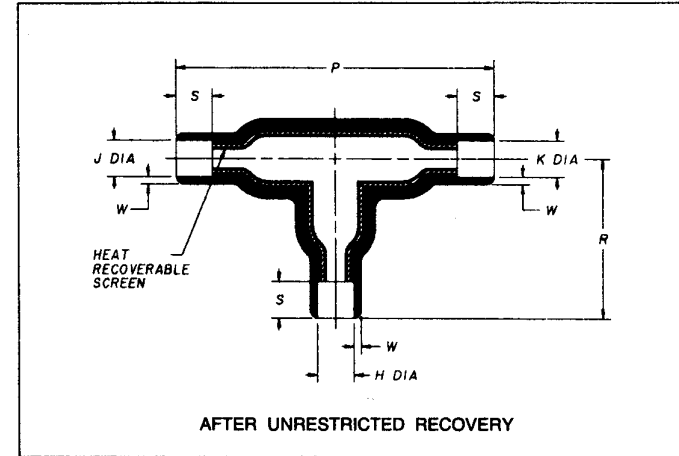
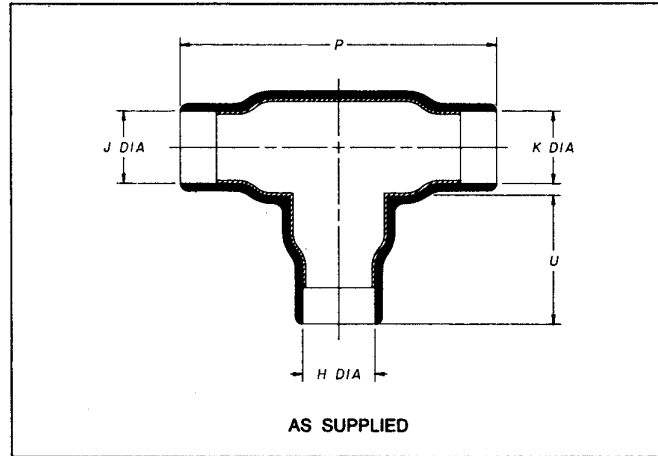


Table of Dimensions								
Part Number	H, J, & K		P		R	S	W	U
	Min a	Max b	Min a	± 10% b	Ref b	± 20% b	± 30% b	Min a
301A022-XXS	.51	.24	2.05	2.32	1.18	.16	.06	.79
	[13,0]	[6,0]	[52,0]	[59,0]	[30,0]	[4,0]	[1,5]	[20,0]
301A028-XXS	.79	.40	3.07	3.54	1.77	.39	.08	1.18
	[20,0]	[10,2]	[78,0]	[90,0]	[45,0]	[10,0]	[2,0]	[30,0]
301A034-XXS	1.06	.53	4.33	4.72	2.36	.71	.09	1.57
	[27,0]	[13,5]	[110,0]	[120,0]	[60,0]	[18,0]	[2,3]	[40,0]

If this document is printed it becomes uncontrolled.
 Check for the latest revision.

Thermofit® Molded Parts Specification Control Drawing

Part Number: 301A022 thru 034-XXS

Description: Transition, "T"
with Heat Recoverable Screen

Compatability Chart					
Material Dash No.	Material Description	RT Spec	Coating Slash No.	Coating S No.	Coating Description
- 3S	Polyolefin/Copper Composite				
- 25S	Elastomer/Copper Composite				

If this document is printed it becomes uncontrolled.
Check for the latest revision.

Ordering Information:

301A0XX — XXS — XX / XXX

Base part number _____

Material dash number _____
(see compatability chart)

Modification number _____
(if necessary, see front of SCD binder
for a complete modification list)

Adhesive slash number _____
(if necessary, see compatability chart)

This drawing is subject to change without notice; consult your nearest field representative for current revision

Raychem

Raychem Corporation
300 Constitution Drive
Menlo Park, California 94025
415) 361 6055

Revision: **D**
Date: **4-24-86**

Part Number: 301A0²² thru 034-XXS
Description: Transition, "T"
with Heat Recoverable Screen