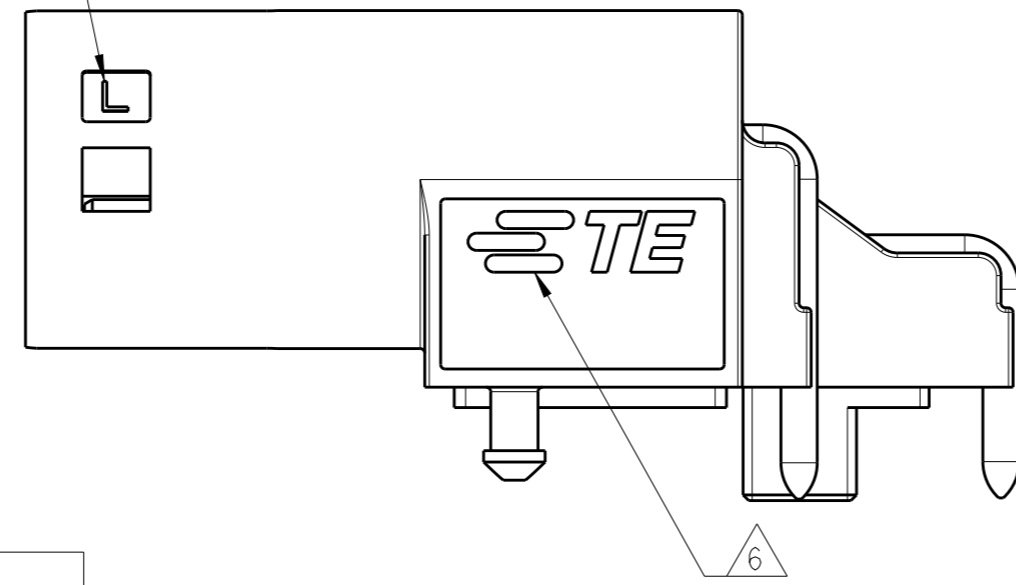
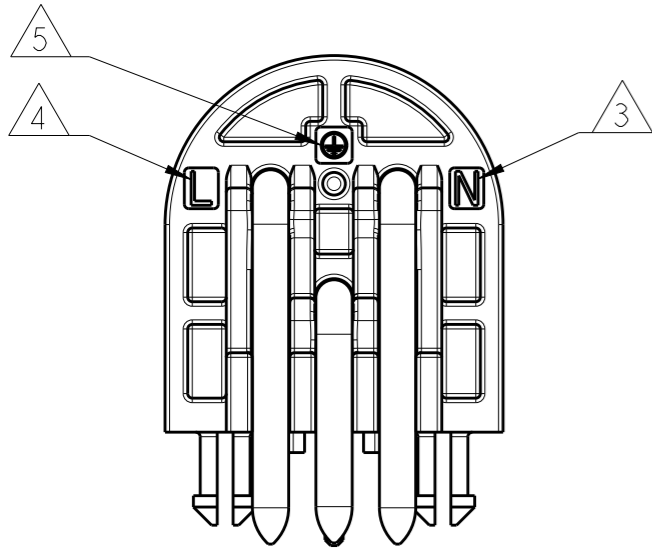
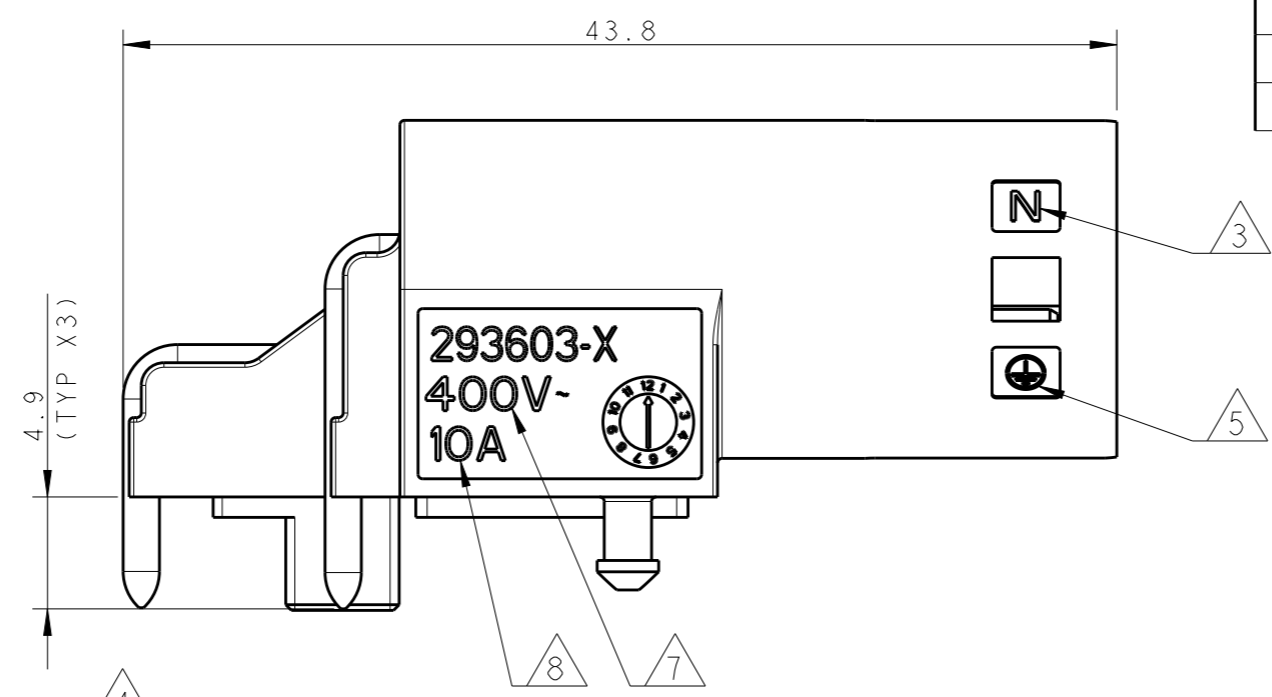
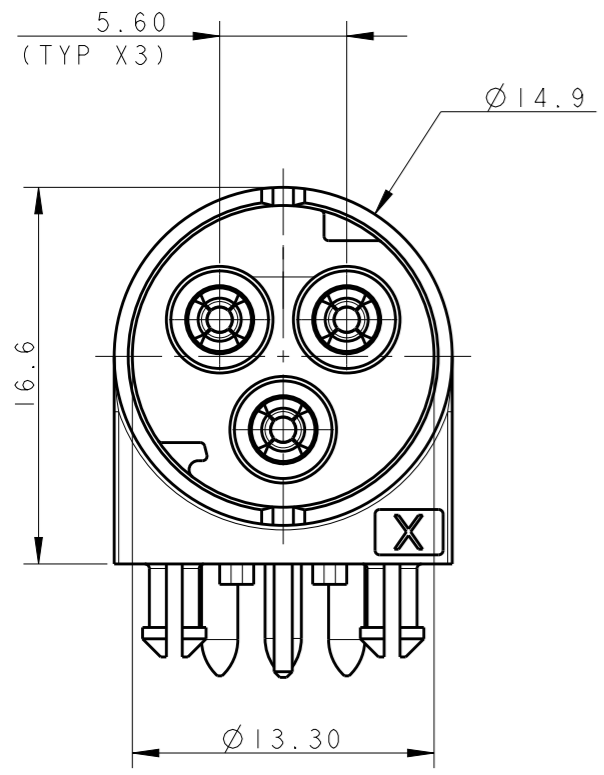
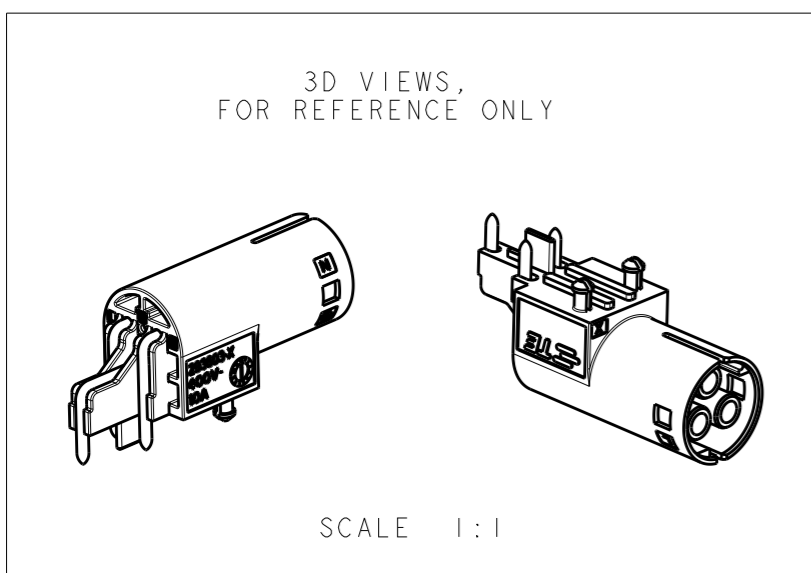


THIS DRAWING IS UNPUBLISHED. RELEASED FOR PUBLICATION 2011  
 © COPYRIGHT 2011 BY - ALL RIGHTS RESERVED.

LOC	DIST	REVISIONS			
P	LTR	DESCRIPTION	DATE	DWN	APVD
	E	UPDATED	04FEB2010	MZ	GT
	F	PARTS -1, -2, -3 RELEASED FOR PRODUCTION	27JUN2013	KR	JC
	F1	REVISED PART NUMBERS	17JUL2017	SK	MZ
	F2	REVISED PER ECR-18-006945	20SEP2018	SR	MZ



- NOTES:
- 1) MATERIAL: POLYAMIDE GLASS FILLED COLOUR NATURAL
  - 2) PACKAGING: SEE TE PACKAGING SPECIFICATION 107-20294
  - △3 N CODE
  - △4 L CODE
  - △5 PE CODE
  - △6 TE LOGO
  - △7 RATED VOLTAGE
  - △8 RATED CURRENT



OBSOLETE	NATURAL	D	PIN CONNECTOR PCB STRAIGHT NECTOR* M-LINE	I	293605-4
	NATURAL	C	PIN CONNECTOR PCB STRAIGHT NECTOR* M-LINE	F	293605-3
	NATURAL	B	PIN CONNECTOR PCB STRAIGHT NECTOR* M-LINE	F	293605-2
	NATURAL	A	PIN CONNECTOR PCB STRAIGHT NECTOR* M-LINE	F	293605-1
	COLOUR	POL. KEYING	DESCRIPTION	REV.	PART NUMBER

THIS DRAWING IS A CONTROLLED DOCUMENT.		DWN M. ZUCCA 30OCT2009	TE Connectivity			
DIMENSIONS: mm		CHK M. ZUCCA 30OCT2009				
TOLERANCES UNLESS OTHERWISE SPECIFIED:		APVD G. TURCO 30OCT2009	NAME			
0 PLC ±- 1 PLC ±0.3 2 PLC ±0.20 3 PLC ±- 4 PLC ±- ANGLES ±3°		PRODUCT SPEC 108-20304	SOCKET CONNECTOR PCB STRAIGHT VERSION NECTOR* M-LINE			
MATERIAL -		APPLICATION SPEC 114-20152	SIZE	CAGE CODE	DRAWING NO	RESTRICTED TO
FINISH -		WEIGHT -	A300779C-293605		-	
		Customer Drawing	SCALE 3:1	SHEET 1 OF 3	REV F2	

THIS DRAWING IS UNPUBLISHED.

RELEASED FOR PUBLICATION

2011

© COPYRIGHT 2011 BY -

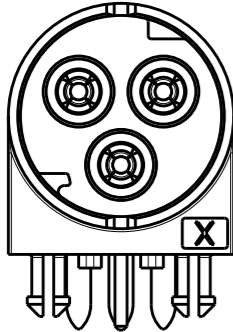
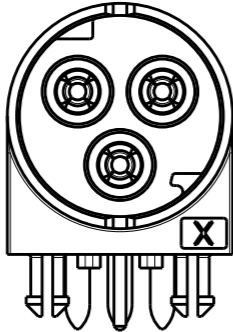
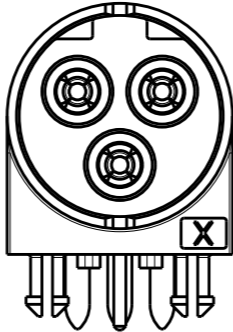
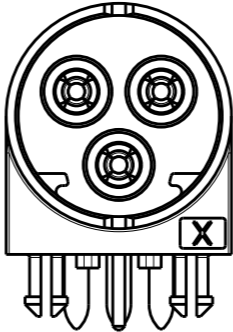
ALL RIGHTS RESERVED.

LOC	DIST
	-

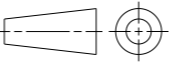
REVISIONS

P	LTR	DESCRIPTION	DATE	DWN	APVD
-		SEE SHEET 1	-	-	-

POLARIZATION KEYS

TYPE "A"	TYPE "B"	TYPE "C"	TYPE "D"
P/N 293605-1 AS SHOWN	P/N 293605-2 AS SHOWN	P/N 293605-3 AS SHOWN	<del>P/N 293605-4</del> AS SHOWN
			

THIS DRAWING IS A CONTROLLED DOCUMENT.

DIMENSIONS:	TOLERANCES UNLESS OTHERWISE SPECIFIED:
mm	
	0 PLC ±-
	1 PLC ±0.3
	2 PLC ±0.20
	3 PLC ±-
	4 PLC ±-
	ANGLES ±3°
MATERIAL -	FINISH -

DWN	M. ZUCCA	30OCT2009
CHK	M. ZUCCA	30OCT2009
APVD	G. TURCO	30OCT2009
PRODUCT SPEC	108-20304	
APPLICATION SPEC	114-20152	
WEIGHT	-	

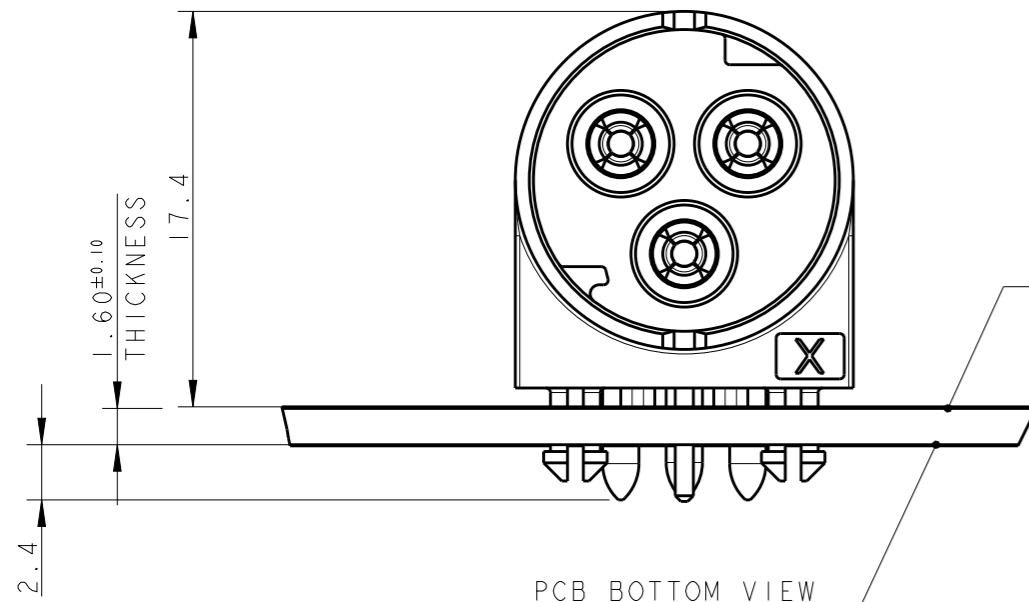


NAME  
**SOCKET CONNECTOR PCB  
 STRAIGHT VERSION  
 NECTOR\* M-LINE**

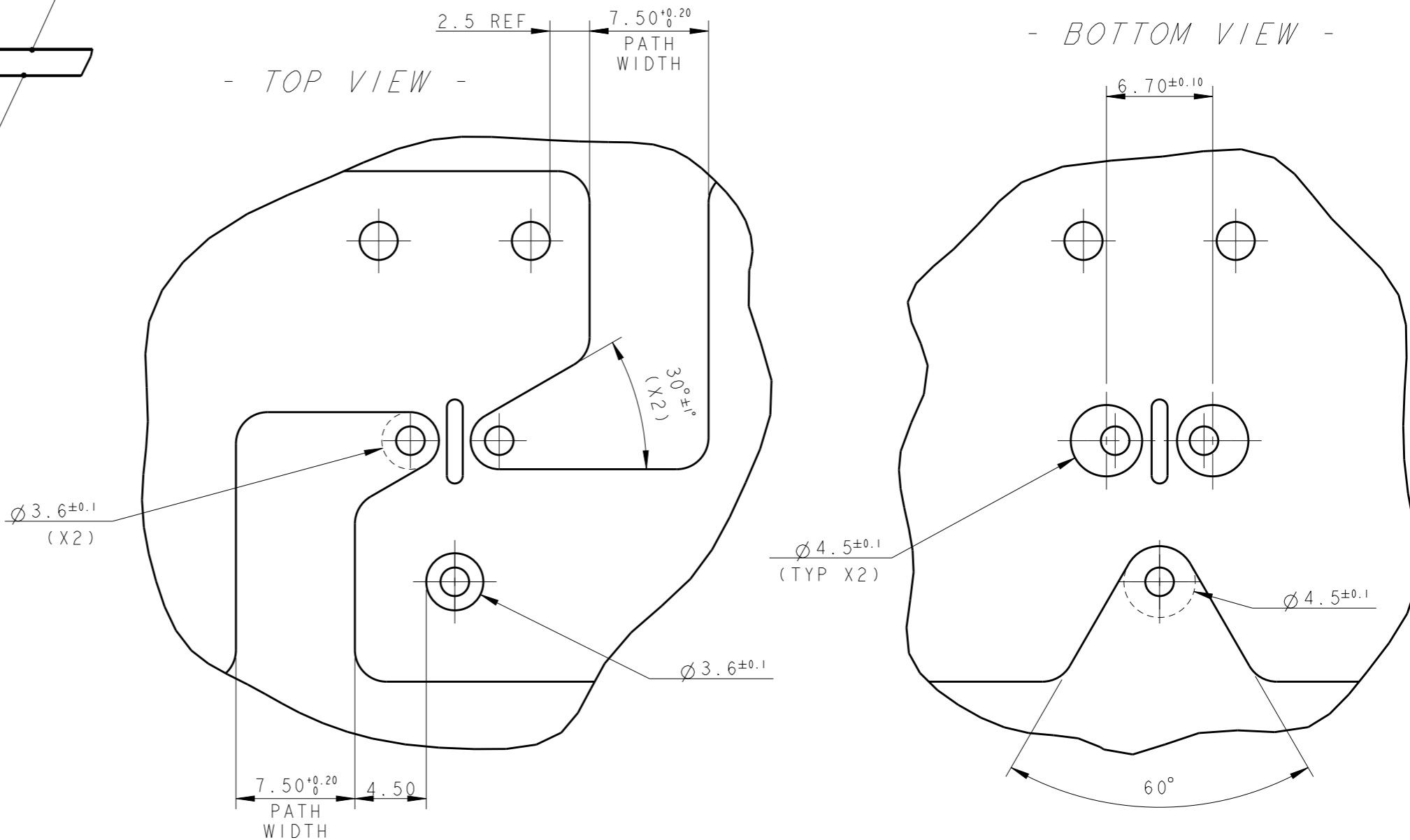
SIZE	CAGE CODE	DRAWING NO	RESTRICTED TO
A3	00779	C-293605	-

Customer Drawing SCALE 2:1 SHEET 2 OF 3 REV F2

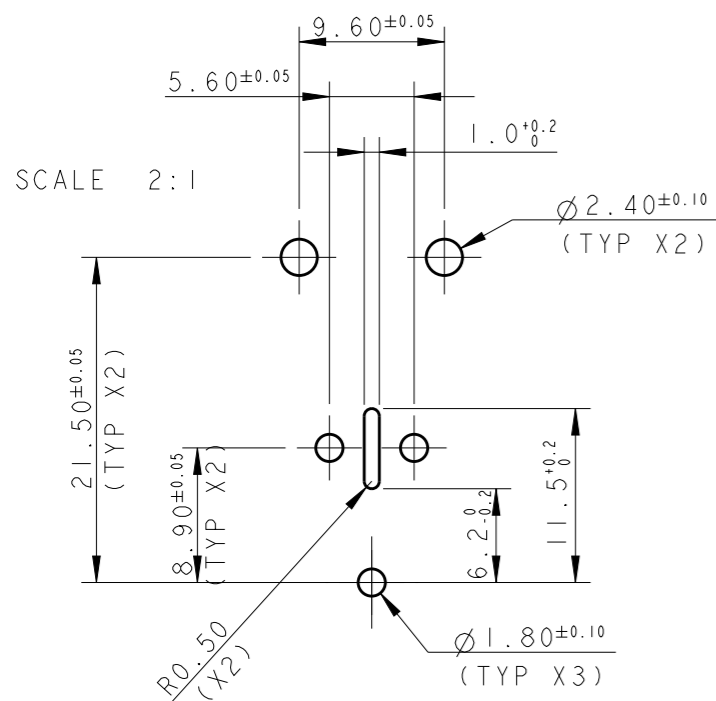
LOC	DIST	REVISIONS			
P	LTR	DESCRIPTION	DATE	DWN	APVD
		SEE SHEET 1			



SUGGESTED L, N AND PE TRACKS LAYOUT ON PCB



SUGGESTED PCB LAYOUT CUT-OUT



THIS DRAWING IS A CONTROLLED DOCUMENT.		DWN M. ZUCCA 30OCT2009	<b>STE</b> TE Connectivity
DIMENSIONS: mm		CHK M. ZUCCA 30OCT2009	
TOLERANCES UNLESS OTHERWISE SPECIFIED:		APVD G. TURCO 30OCT2009	NAME SOCKET CONNECTOR PCB STRAIGHT VERSION NECTOR* M-LINE
0 PLC ±-		PRODUCT SPEC 108-20304	
1 PLC ±0.3		APPLICATION SPEC 114-20152	SIZE A300779
2 PLC ±0.20		WEIGHT -	CAGE CODE C-293605
3 PLC ±-		Customer Drawing	DRAWING NO
4 PLC ±-			SCALE 3:1
ANGLES ±3°		SHEET 3 OF 3	REV F2
FINISH -		RESTRICTED TO -	