

THIS DRAWING IS UNPUBLISHED.

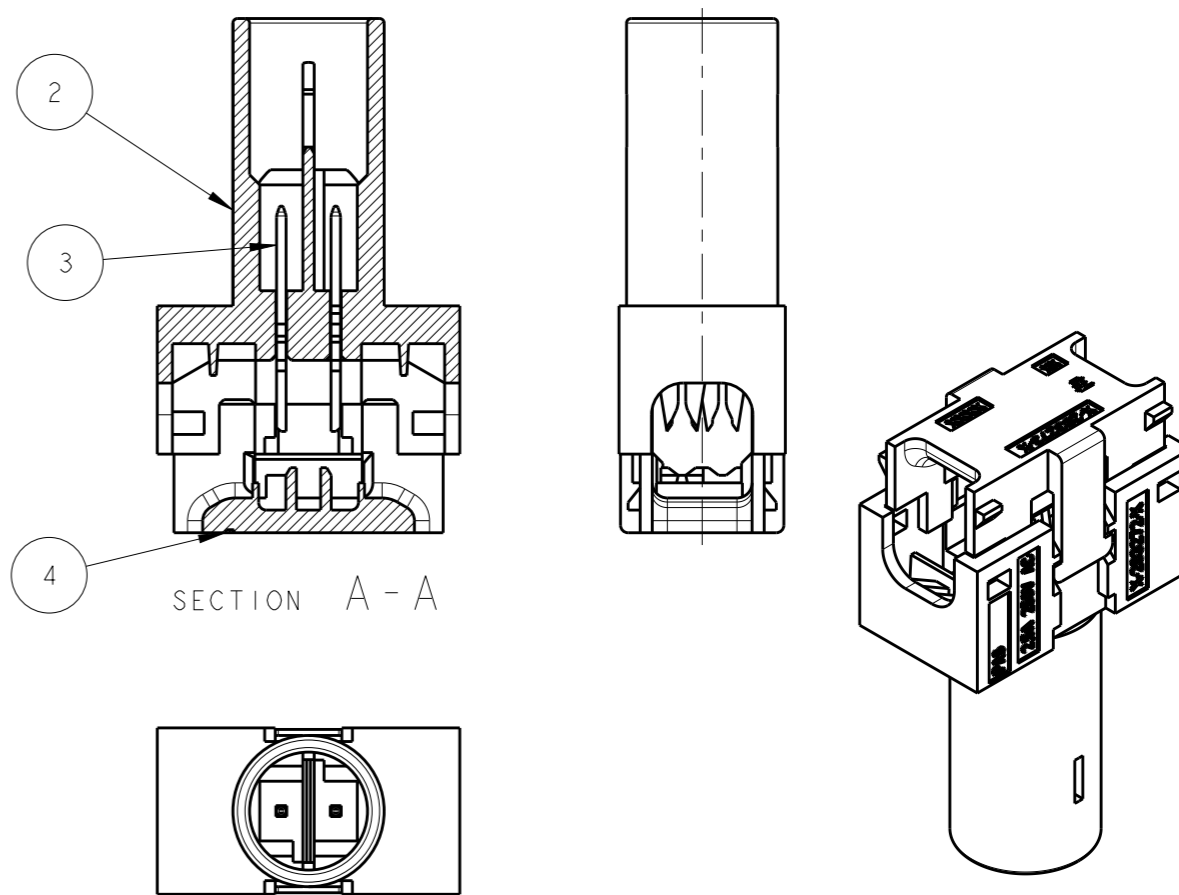
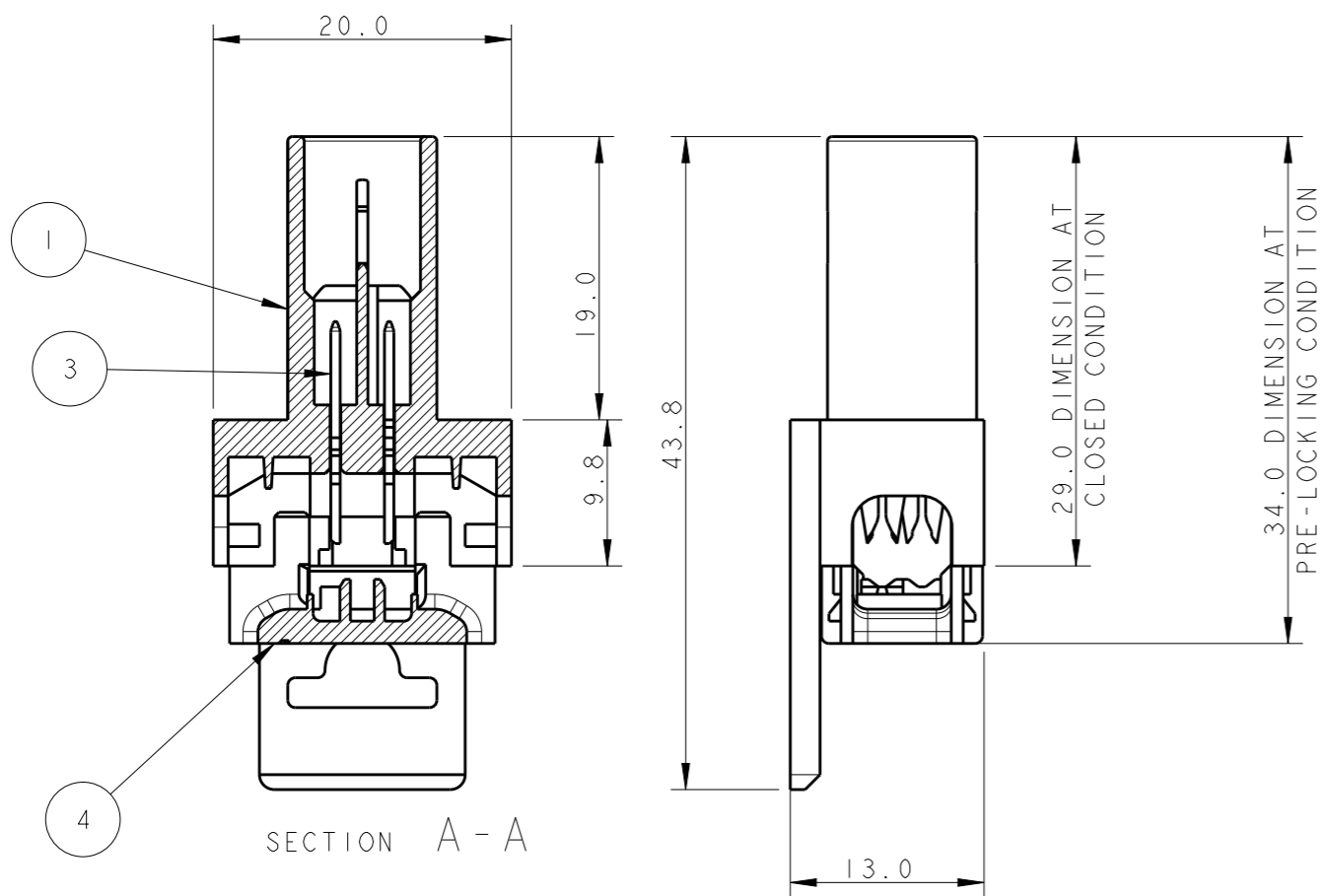
RELEASED FOR PUBLICATION

20

© COPYRIGHT 20 Tyco Electronics AMP GmbH

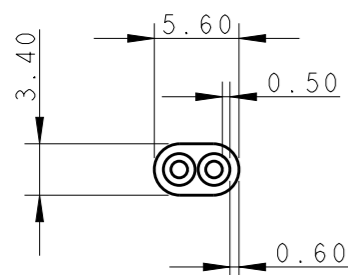
ALL RIGHTS RESERVED.

LOC	DIST	REVISIONS				
P	LTR	DESCRIPTION	DATE	DWN	APVD	
A1	-	L	IMPROVED LOCKING RETENTION TEETH	20MAY2011	AV	GT
		M	REMOVED H05VVH2-F CABLE	22AUG2012	MZ	JC
		N	ECR-16-004670	26APR2016	RS	JL



CABLE CONFIGURATION

CABLE H03VVH2-F
2x0.75 mm²



P/N 0-293300-1;-2 AS SHOWN
POLARIZATION KEY HV-1

MISSING DIMENSION SEE P/N 0-...-1

P/N 0-293300-3;-4 AS SHOWN
POLARIZATION KEY HV-1

THIS DRAWING IS A CONTROLLED DOCUMENT.		DWN A. Vecchia 23APR2007	TE Connectivity	
DIMENSIONS: mm		CHK G. Turco 23APR2007		
TOLERANCES UNLESS OTHERWISE SPECIFIED:		APVD G. Turco 23APR2007	NAME BUS BAR 2 POSITION GENERAL	
		PRODUCT SPEC 108-94018	SIZE A300779	
MATERIAL -		APPLICATION SPEC 114-20131	CAGE CODE C-293300	DRAWING NO
FINISH -		WEIGHT -	RESTRICTED TO -	
		CUSTOMER DRAWING		SCALE 2:1
				SHEET 1 OF 2
				REV N

THIS DRAWING IS UNPUBLISHED.

RELEASED FOR PUBLICATION

20

© COPYRIGHT 20 Tyco Electronics AMP GmbH

ALL RIGHTS RESERVED.

LOC A1

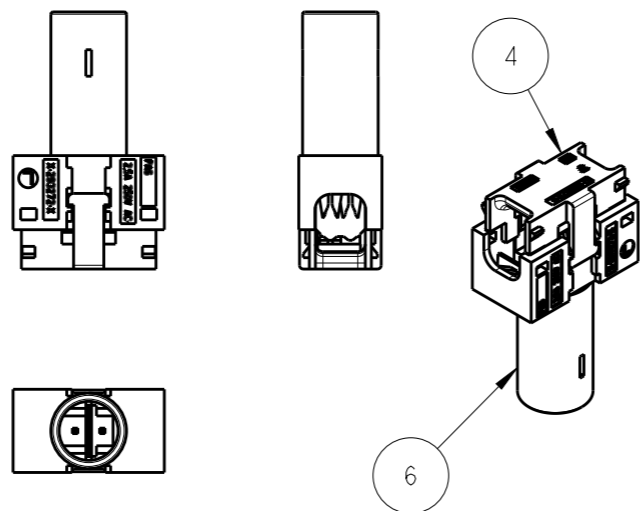
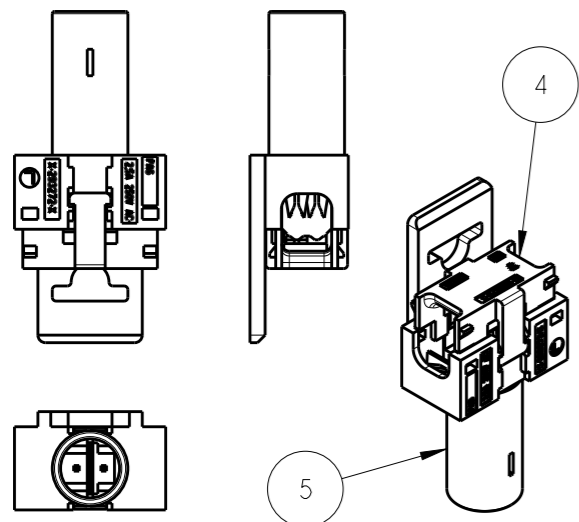
DIST -

REVISIONS

P	LTR	DESCRIPTION	DATE	DWN	APVD
-	-	SEE SHEET 1	-	-	-

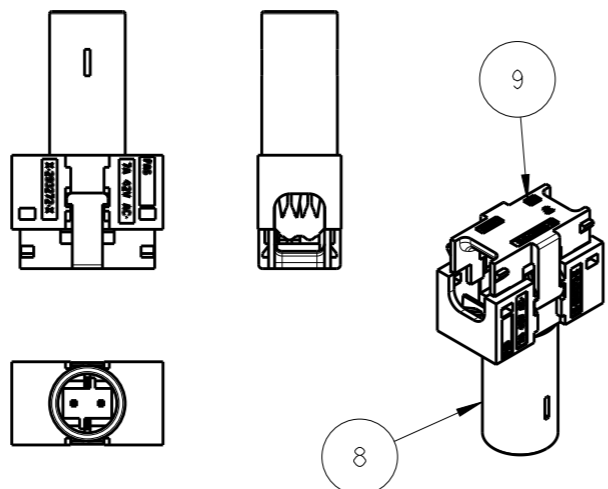
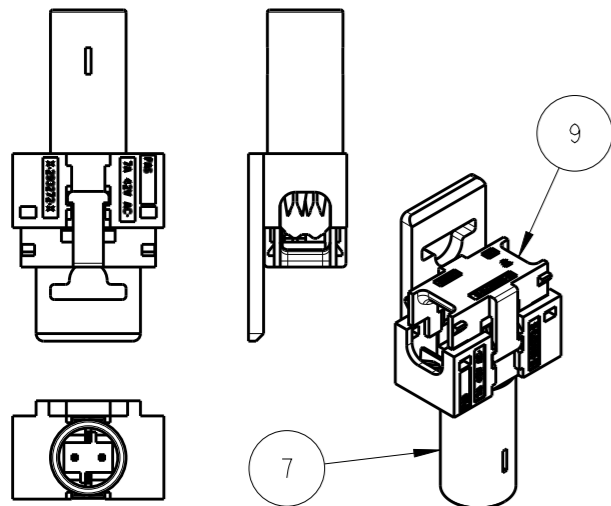
P/N 0-293300-5;-6 AS SHOWN
POLARIZATION KEY HV-4

P/N 0-293300-7;-8 AS SHOWN
POLARIZATION KEY HV-4



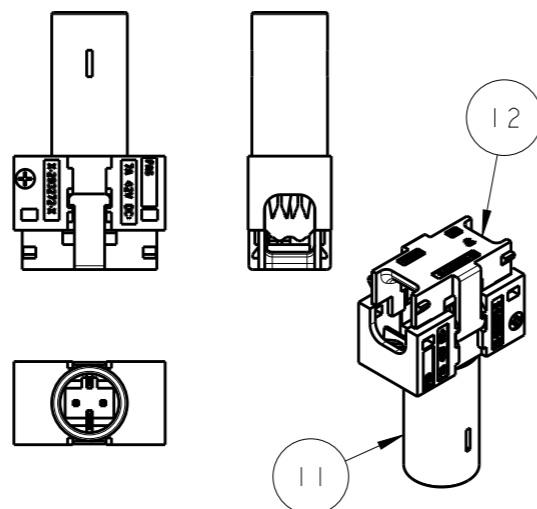
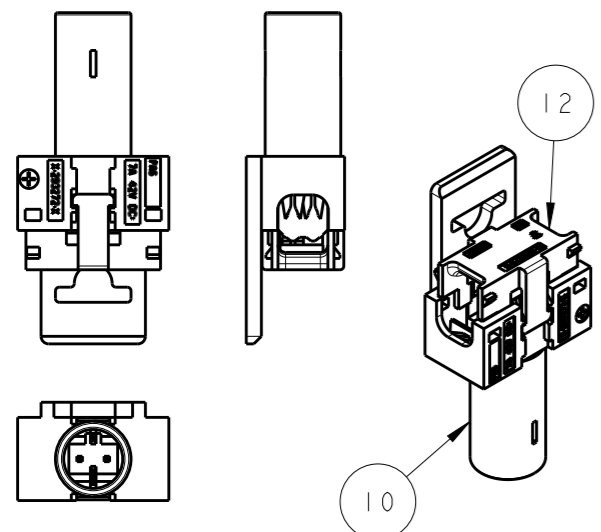
P/N 0-293300-9 AS SHOWN
POLARIZATION KEY LV-1

P/N 1-293300-0 AS SHOWN
POLARIZATION KEY LV-1



P/N 1-293300-1 AS SHOWN
POLARIZATION KEY LV-2

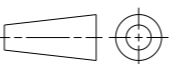
P/N 1-293300-2 AS SHOWN
POLARIZATION KEY LV-2



													COVER YELLOW	12
													BODY HOUSING W/O FLANGE YELLOW LV-2	11
													BODY HOUSING YELLOW LV-2	10
													COVER LIGHT GREY	9
													BODY HOUSING W/O FLANGE LIGHT GREY LV-1	8
													BODY HOUSING LIGHT GREY LV-1	7
													BODY HOUSING W/O FLANGE BLACK HV-4	6
													BODY HOUSING W/O FLANGE WHITE HV-4	6
													BODY HOUSING BLACK HV-4	5
													BODY HOUSING WHITE HV-4	5
													COVER BLACK	4
													COVER WHITE	4
2	2	2	2	2	2	2	2	2	2	2	2	2	CONTACT	3
													BODY HOUSING W/O FLANGE BLACK HV-1	2
													BODY HOUSING W/O FLANGE WHITE HV-1	2
													BODY HOUSING BLACK HV-1	1
													BODY HOUSING WHITE HV-1	1
1-2	1-1	1-0	-9	-8	-7	-6	-5	-4	-3	-2	-1		DESCRIPTION	ITEM
L	L	L	L	L	L	L	L	L	L	L	L		REVISIONE DELL'ASSEMBLATO (REV. OF EACH ASSY NO)	
LV-2	LV-2	LV-1	LV-1	HV-4	HV-4	HV-4	HV-4	HV-1	HV-1	HV-1	HV-1		KEYING ELENCO DEI COMPONENTI (PART LIST)	

THIS DRAWING IS A CONTROLLED DOCUMENT.

DIMENSIONS:
mm



MATERIAL -

TOLERANCES UNLESS OTHERWISE SPECIFIED:

- 0 PLC ±-
- 1 PLC ±0.3
- 2 PLC ±0.05
- 3 PLC ±-
- 4 PLC ±-
- ANGLES ±°
- FINISH -

DWN 23APR2007
A. Vecchia
CHK 23APR2007
G. Turco
APVD 23APR2007
G. Turco

PRODUCT SPEC 108-94018
APPLICATION SPEC 114-20131
WEIGHT -

CUSTOMER DRAWING



NAME
BUS BAR 2 POSITION
GENERAL

SIZE A3 CAGE CODE 300779 DRAWING NO C-293300 RESTRICTED TO -

SCALE 2:1 SHEET 2 OF 2 REV N