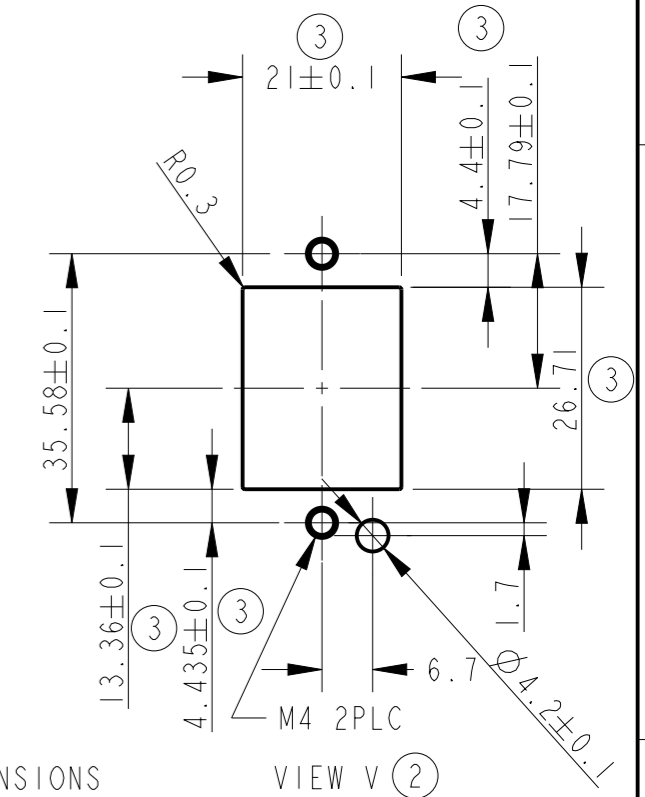
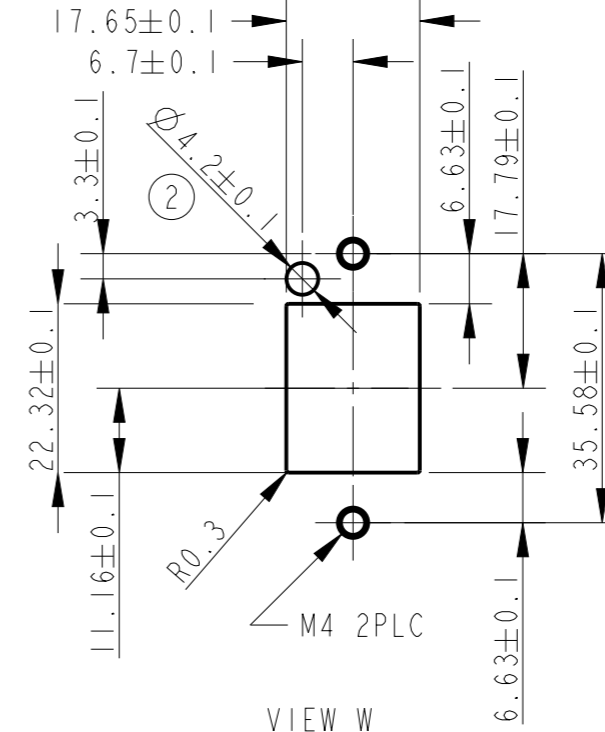
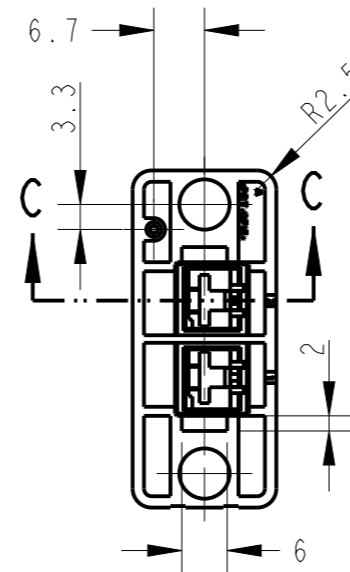
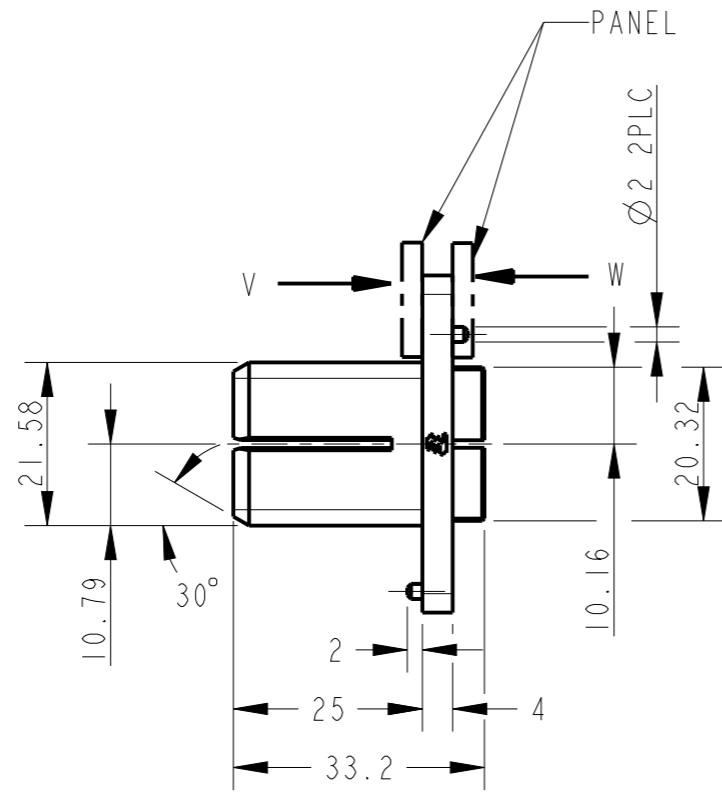
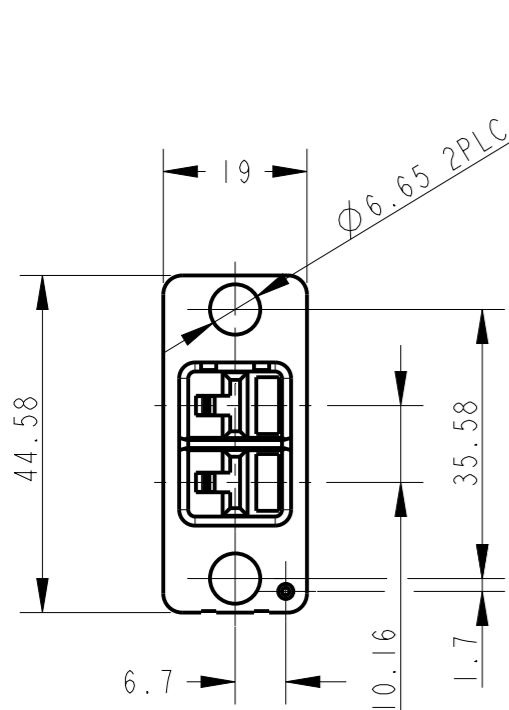
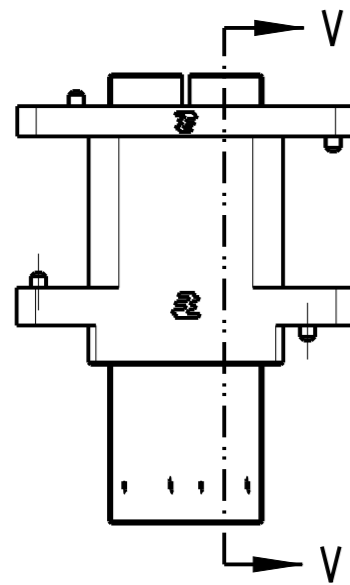


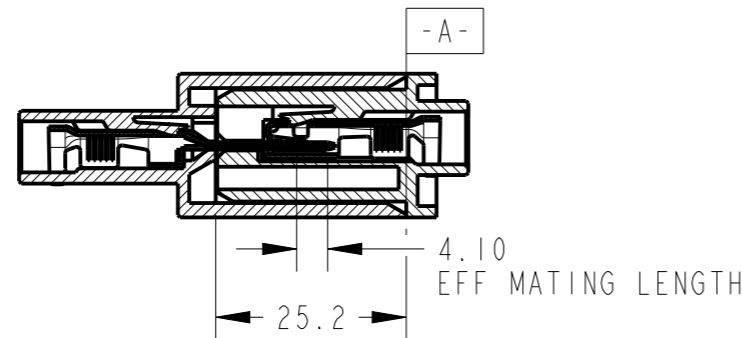
P	LTR	DESCRIPTION	DATE	DWN	APVD
A		REVISED ECR-05-001347	05APR05	C.Z	I.E
AI		REVISED ECR-20-018119	29DEC2020	A.W	R.B



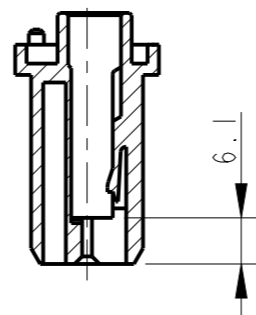
PANEL CUT DIMENSIONS
(CONNECTOR MATING SIDE)
RECOMMENDED PANEL THK: 1.0~1.6mm



MATED CONDITION



SECTION V-V
(DYNAMIC CONTACT)



SECTION C-C

NOTES:
1. APPLICABLE CONNECTOR & CONTACTS:

CIRCUIT TYPE	FINISH	AWG	APPLICABLE CONNECTOR/ CONTACT P/N	REMARKS
HIGH CURRENT CIRCUITS	GOLD PLT	#10-12	179956-X	STRIP
		#14-16	179955-X	STRIP

2. MATERIAL:
HOUSING: PBT G.F. UL94V-0 COLOR: BLACK
3. MATING COUNTER P/N: 292352-1
4. RECOMMENDED SCREW LOCKING TORQUE: 10~15kgf·cm (0.98~1.47Nm)

2	292353-1
No. OF POSITIONS (HIGH CURRENT)	P/N

THIS DRAWING IS A CONTROLLED DOCUMENT.		DWN ROY HAO 09APR04	TE Connectivity	
DIMENSIONS: mm		CHK STEVEN YAO 09APR04		
TOLERANCES UNLESS OTHERWISE SPECIFIED:		APVD T SAKAI 09APR04	NAME REC HOUSING FOR 1.5mm PITCH MINI CT HIGH CURRENT HYBRID DRAWER CONNECTOR	
0 PLC ±0.25		PRODUCT SPEC 108-51030	RESTRICTED TO	
1 PLC ±0.25		APPLICATION SPEC 114-51009	SIZE A3	CAGE CODE 00779
2 PLC ±0.25		WEIGHT -	DRAWING NO C-292353	REV AI
3 PLC ±0.25			SCALE 1:1	SHEET 1 OF 1
4 PLC ±				
ANGLES ±3°				
FINISH				
MATERIAL				
2				