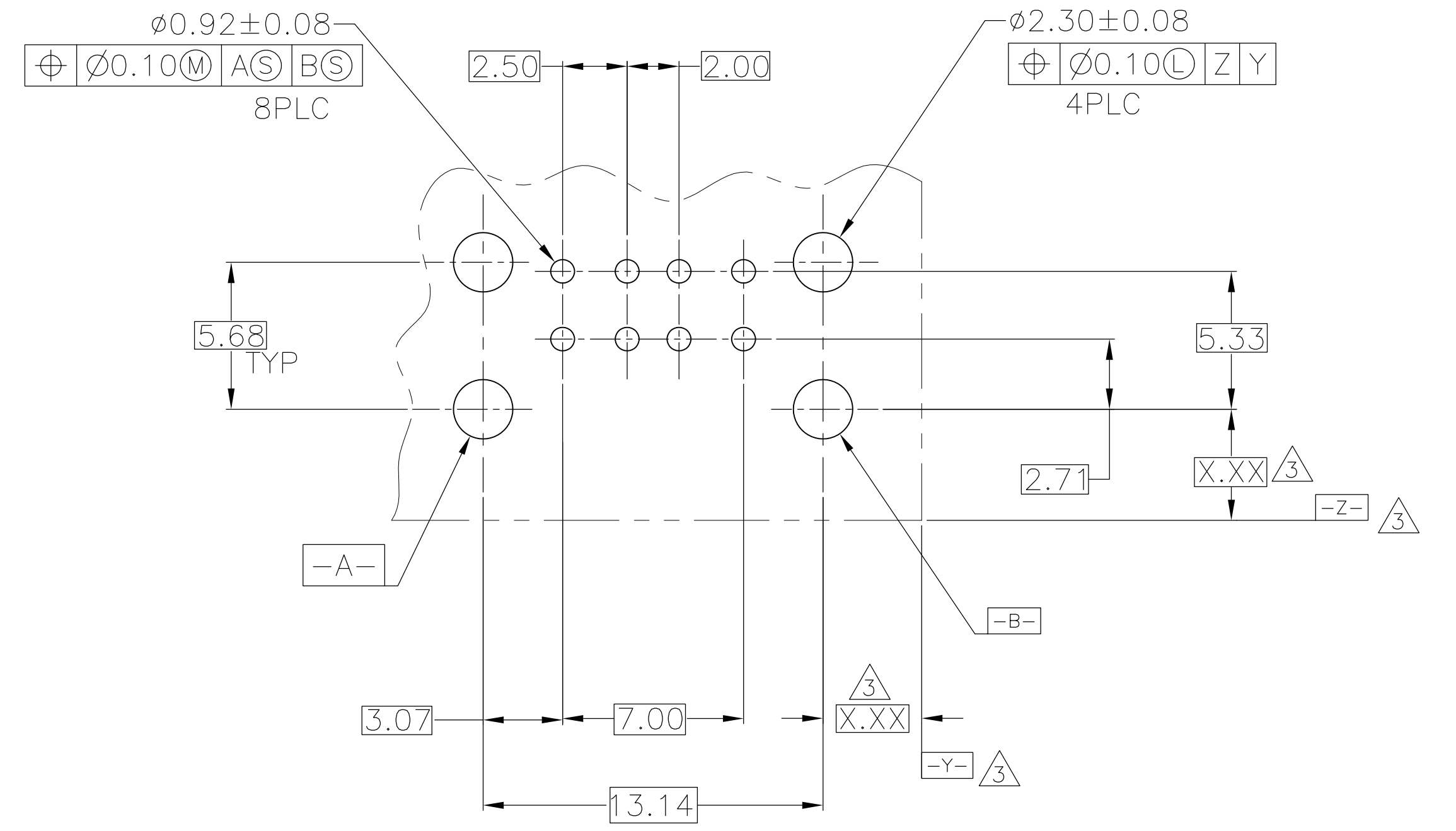
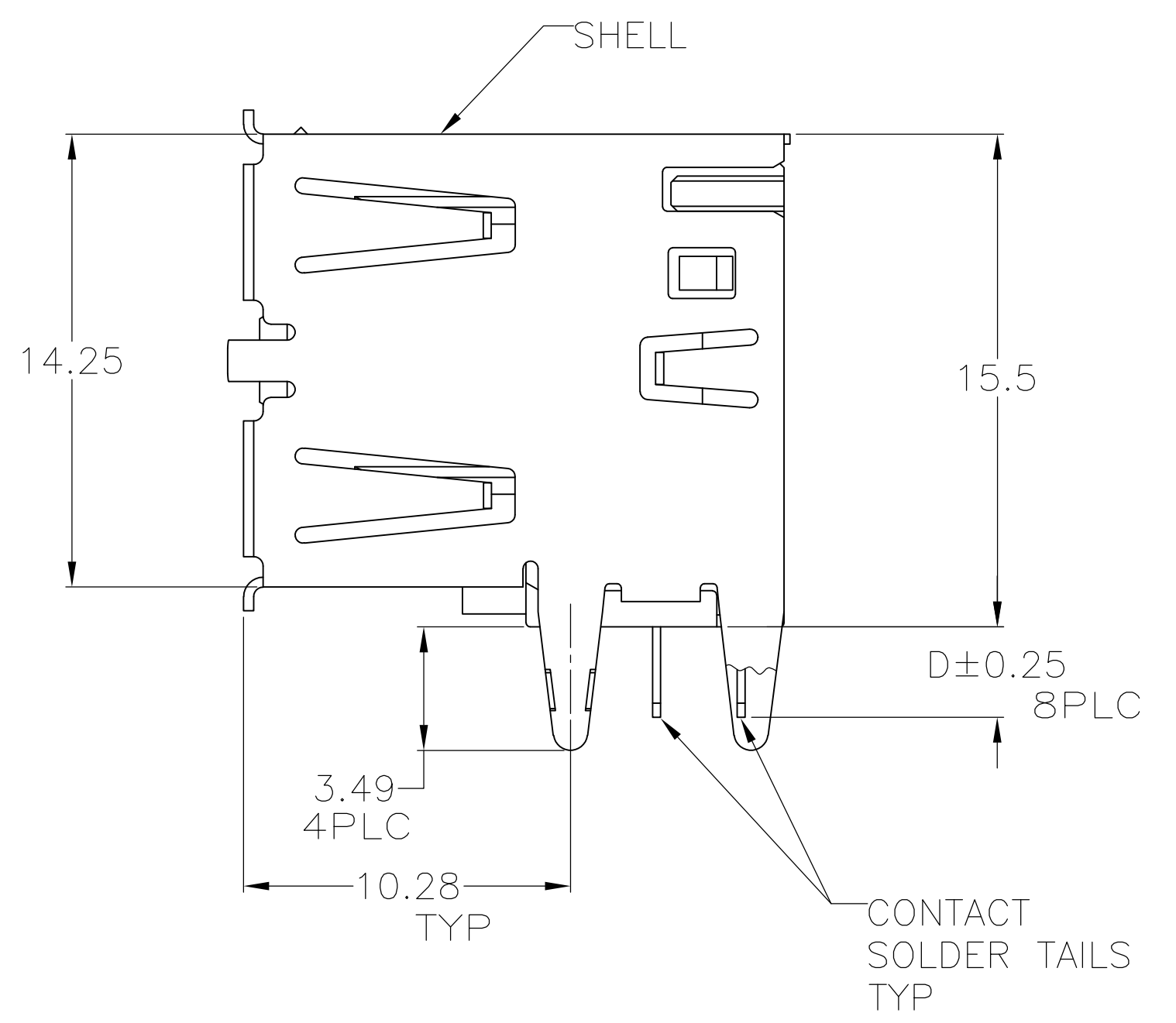
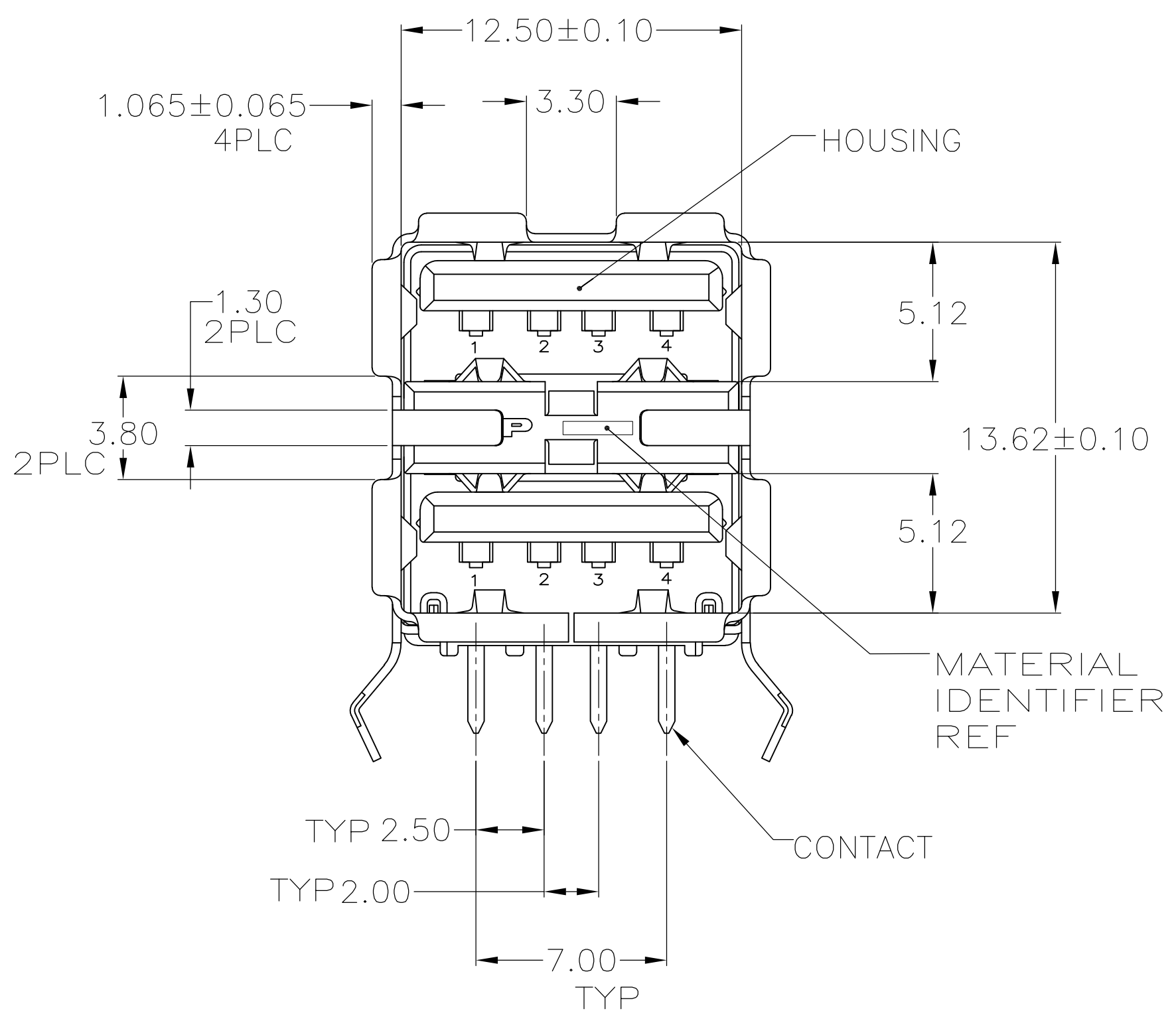


- ⚠ MATERIAL:  
SHELL & CONTACT-COPPER ALLOY  
HOUSING-UL 94V-0 RATED, THERMOPLASTIC,SEE TABLE
- ⚠ PLATING:  
CONTACT- 0.076um MIN. GOLD OVER 0.76um MIN.  
PALLADIUM-NICKEL ON MATING AREA ,OR CONTACT ALTERNATE  
PLATING 0.76um MIN. GOLD ON MATING AREA.  
3.8um MIN. MATTE TIN ON SOLDER TAILS.  
BOTH OVER 1.27um MIN. NICKEL.  
SHELL:2~6.5um MIN. BRIGHT TIN.
- ⚠ DATUM AND BASIC DIMENSIONS ESTABLISHED BY CUSTOMER.
- ⚠ RECOMMENDED PC BOARD THICKNESS 1.57.



RECOMMENDED PC BOARD MOUNTING DIMENSIONS

NO	3.24	BLACK	292323-6
YES	2.29	BLACK	292323-5
YES	2.84	BLACK	292323-4
NO	2.84	NATU	292323-3
NO	2.29	BLACK	292323-2
NO	2.84	BLACK	292323-1

HIGH TEMPERATURE COMPATIBLE	D	HOUSING COLOR	PART NUMBER
-----------------------------	---	---------------	-------------

THIS DRAWING IS A CONTROLLED DOCUMENT.

DRN	SUNNY.XU	25FEB2004	Tyco Electronics Corporation Shanghai, P.R.China, 200233
CHK	S.YAO	25FEB04	
APVD	T.SASAKI	25FEB04	RECEPTACLE ASSEMBLY ,RIGHT ANGLE STACKED,THRU-HOLE USB
PRODUCT SPEC	108-1586		
APPLICATION SPEC	114-40054		
SIZE	A1	CAGE CODE	00779
DRAWING NO	C=292323		RESTRICTED TO
SCALE	5:1	SHEET	1 OF 1
REV	E1		