

4

3

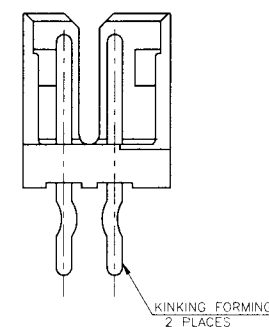
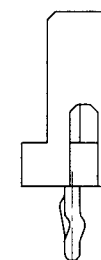
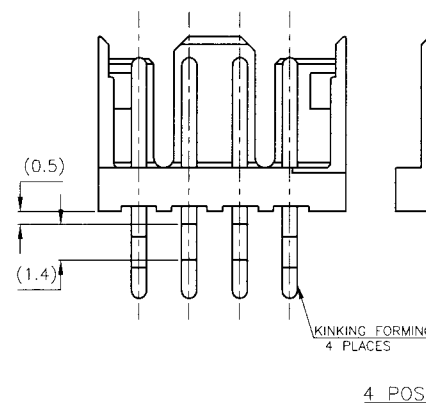
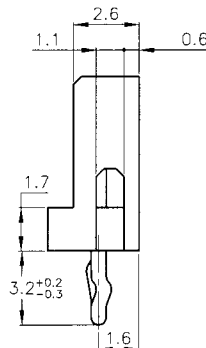
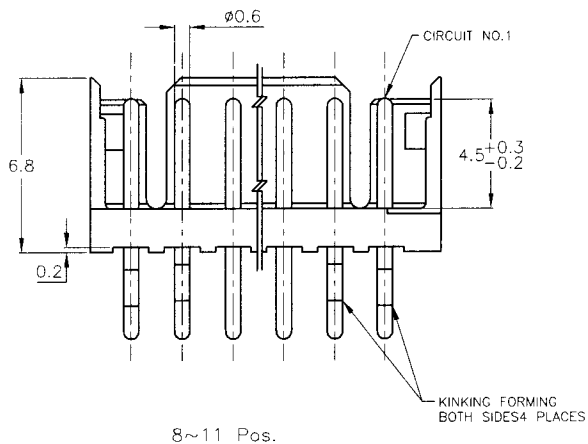
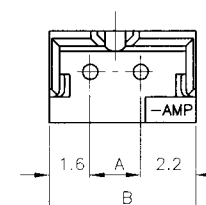
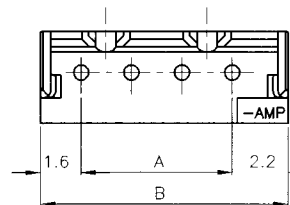
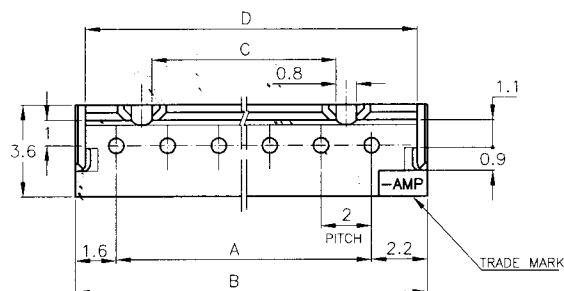
2

1

THIS DRAWING IS UNPUBLISHED. RELEASED FOR PUBLICATION
© COPYRIGHT BY TYCO ELECTRONICS CORPORATION. ALL RIGHTS RESERVED.

LOC FB DIST 00

REVISIONS			DATE	OWN	APVD
P	LTR	DESCRIPTION			
0		RELEASED FB00-0013-03	23JAN03	J.J	T.S



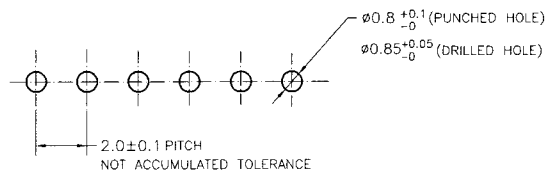
4 POS.

2 POS.

NOTES:

- 1.MATERIAL: HOUSING - NYLON 66 (GF TYPE)
POST - TIN BRASS
- 2.APPLICABLE RECEPTACLE P/N 173977

1-292146-1	11	20	23.8	17.2	23.0
1-	-0	10	18	21.8	15.2
	-9	8	16	19.8	13.2
	-8	9	14	17.8	11.2
	-4	4	6	9.8	3.2
292146-2	2	2	5.8		5.0
PART NO.	Pos.	A	B	C	D



RECOMMENDABLE PCB LAYOUT
(PCB THK:0.8-1.6)

TOLERANCES UNLESS OTHERWISE SPECIFIED:

10 > *	±0.2
30 > * > 10	±0.25
100 > * > 30	±0.3
ANGLE	±3'

THIS DRAWING IS A CONTROLLED DOCUMENT.		DWN S.XU 31JAN03	tyco Electronics		Tyco Electronics Corporation SHANGHAI, CHINA	
DIMENSIONS: MM		CHK S.YAO 31JAN03				
TOLERANCES UNLESS OTHERWISE SPECIFIED:		APVD T. SASAKI 31JAN03	NAME			
0 PLC ±		PRODUCT SPEC		POST HEADER ASS'Y VERTICAL TYPE (AMP CT CONNECTOR 2mm PITCH)		
1 PLC ±		108-60016		SIZE		
2 PLC ±		APPLICATION SPEC		CAGE CODE		
3 PLC ±		WEIGHT		DRAWING NO		
4 PLC ±		CUSTOMER DRAWING		A3 00779 C=292146		
ANGLES ±		SCALE		SHEET 1 OF 1		
FINISH		RESTRICTED TO		REV 0		
SEE NOTE		SEE NOTE				