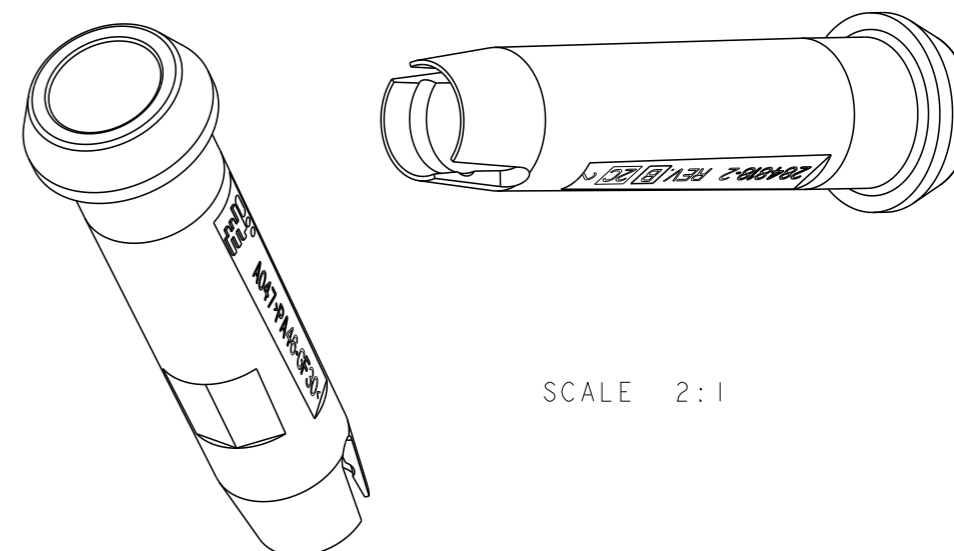
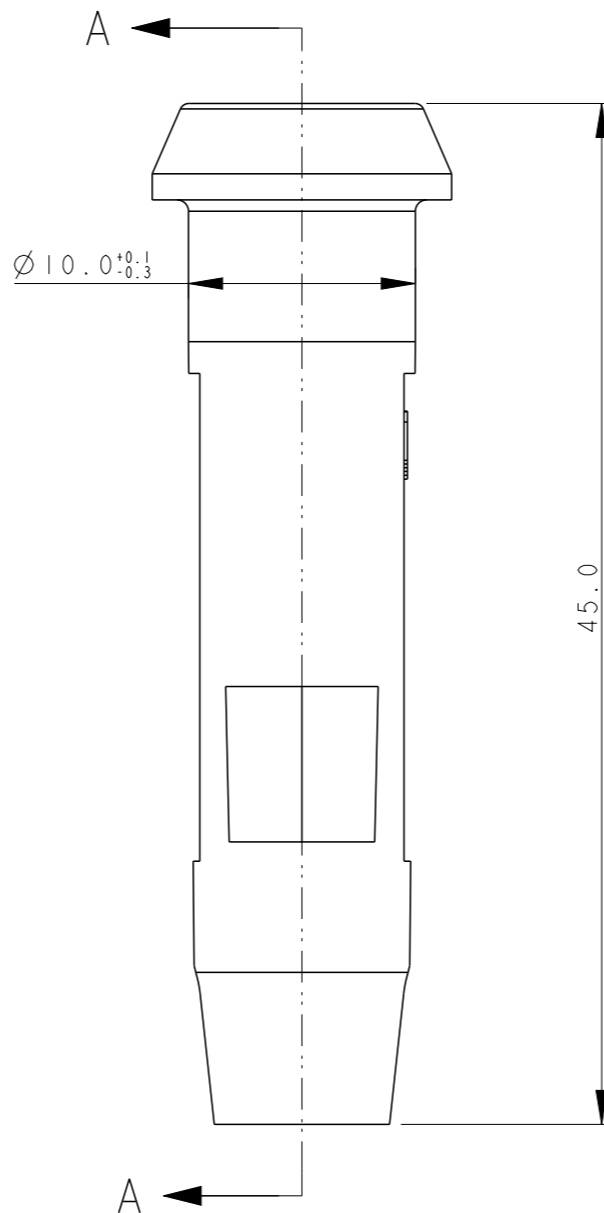
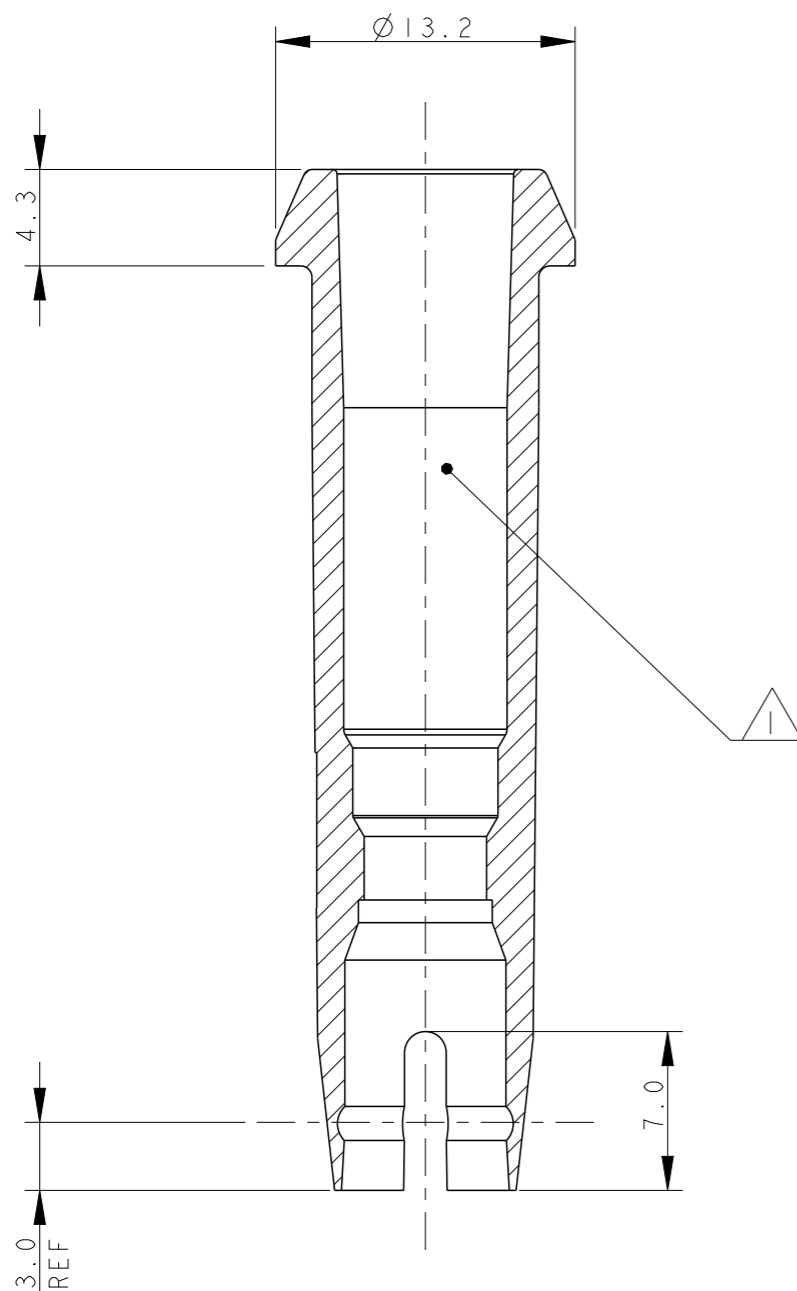


REVISIONS

P	LTR	DESCRIPTION	DATE	DWN	APVD
B1		REVISED PER ECO-15-015744	02NOV2015	M.P.	M.G.
B2		REVISED PER ECO-15-018091	16DEC2015	M.P.	M.G.
B3		REVISED PER ECO-16-002840	29FEB2016	M.P.	M.G.
B4		REVISED PER ECO-16-008847	13JUN2016	M.P.	M.G.

SECTION A - A  
(SEZIONE)



SCALE 2:1

- 1 CAVITY SUITABLE FOR SOCKET CONTACT 4.0 DIA. SYSTEM:  
 - P/N 962954-2 AND SINGLE WIRE SEAL P/N 963244-1 FOR 2.5 mm<sup>2</sup> WIRE  
 - P/N 962956-2 AND SINGLE WIRE SEAL P/N 963245-1 FOR 4.0 mm<sup>2</sup> WIRE
- (CAVITA' ADATTA PER CONTATTO FEMMINA 4.0 DIA. SYSTEM:  
 - P/N 962954-2 E GOMMINO PASSACAVO P/N 963244-1 PER CAVO 2.5 mm<sup>2</sup>.  
 - P/N 962956-2 E GOMMINO PASSACAVO P/N 963245-1 PER CAVO 4.0 mm<sup>2</sup>.)
- 2 INTERFACE DRAWING ACCORDING TO FIAT SPEC. 91317/42 SHEET 1 PAGE 3

PA 46 - GF 30	RED (ROSSO)	HOUSING (BLOCCHETTO)	284818-2	B
PA 46 - GF 30	BLACK (NERO)	HOUSING (BLOCCHETTO)	284818-1	B
MATERIAL (MATERIALE)	COLOUR (COLORE)	DESCRIPTION (DESCRIZIONE)	PART NUMBER	REV.

P/N 284818-1 AND -2 AS SHOWN  
(P/N 284818-1 E -2 COME INDICATO)

THIS DRAWING IS A CONTROLLED DOCUMENT.

DIMENSIONS: mm	TOLERANCES UNLESS OTHERWISE SPECIFIED: 0 PLC ±0.3 1 PLC ±0.3 2 PLC ±0.3 3 PLC ± 4 PLC ± ANGLES ±1°	DWN P. ZAMPIROLO 21MAR2001 CHK R. MARTINI 21MAR2001 APVD A. GENTA 21MAR2001	TE Connectivity	
MATERIAL SEE TABLE (VED. TABELLA)	FINISH ---	PRODUCT SPEC 108-20229 APPLICATION SPEC - WEIGHT 2.15 g	NAME I W HOUSING FOR DIESEL GLOW PLUG STRAIGHT VERSION (CONNETTORE 1 VIA PER CANDELETTE PRE-RISCALDO) SIZE A3 CAGE CODE - DRAWING NO C-284818 RESTRICTED TO -	
		Customer Drawing	SCALE 3:1	SHEET 1 OF 1 REV B4