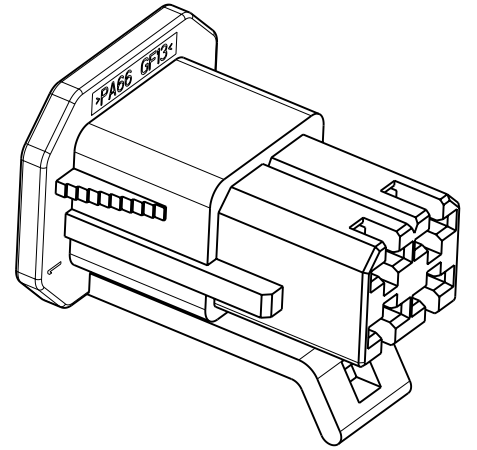
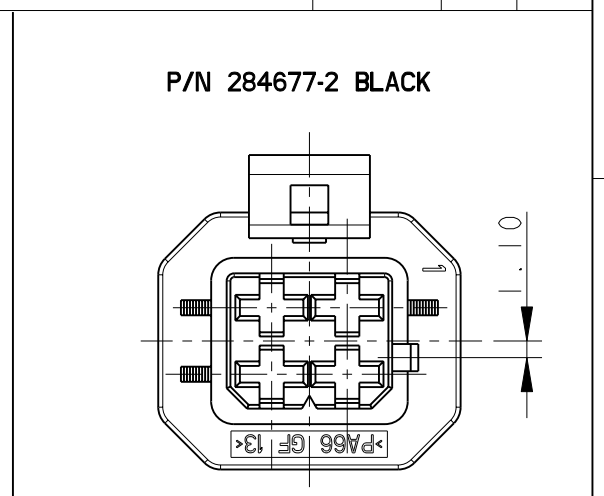
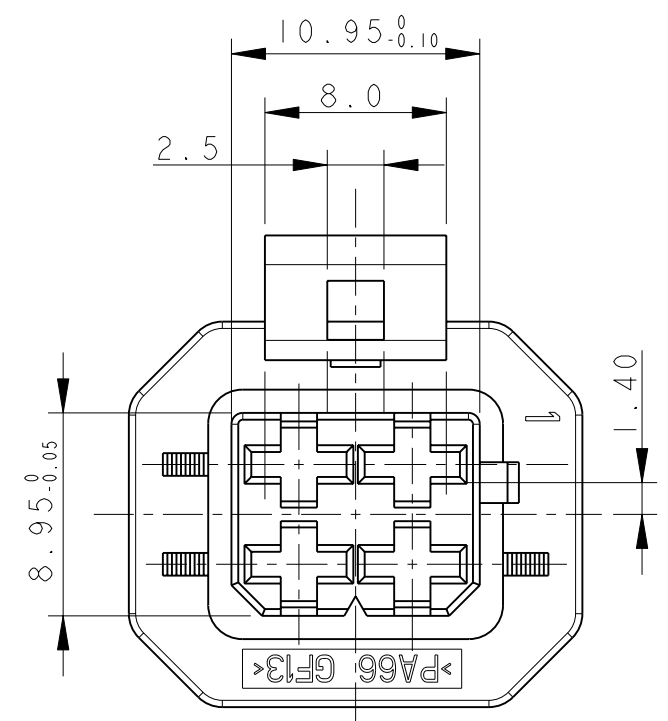
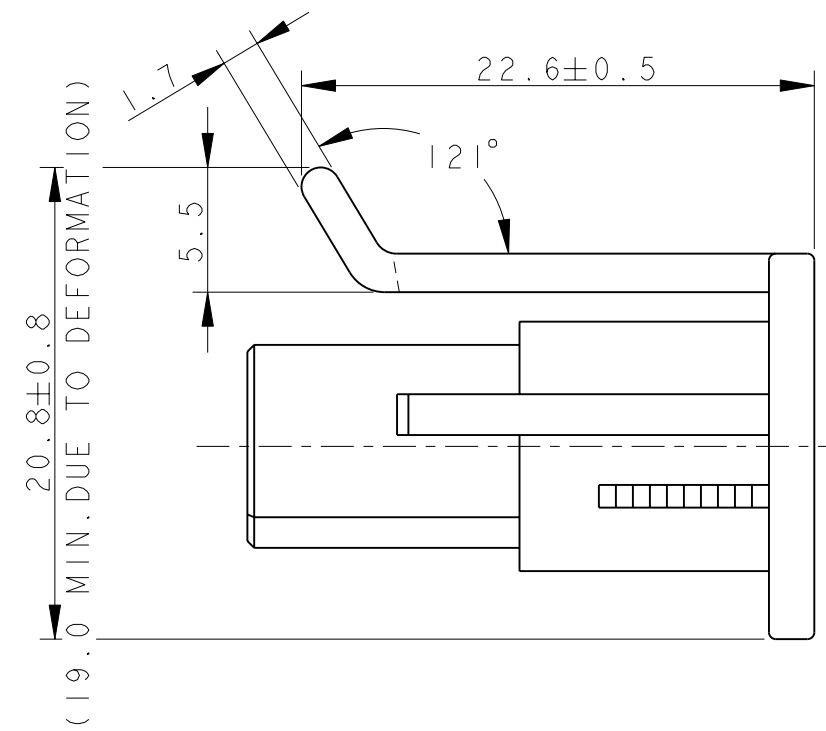
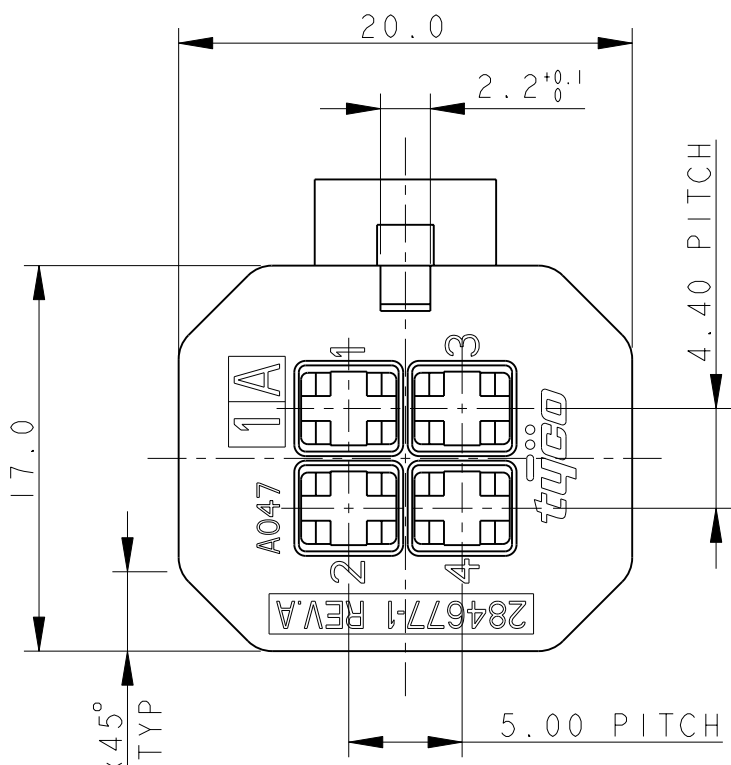
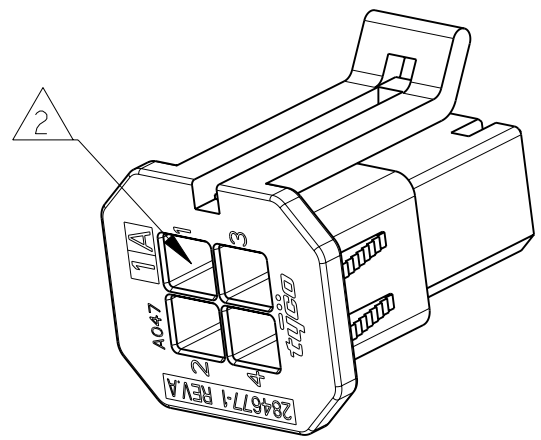


THIS DRAWING IS UNPUBLISHED. RELEASED FOR PUBLICATION 2011
 © COPYRIGHT 19 Tyco Electronics AMP GmbH ALL RIGHTS RESERVED.

LOC	DIST	REVISIONS				
P	LTR	DESCRIPTION	DATE	DWN	APVD	
1	-	A1	MODIFIED COLORS AND ADDED -3 VERSION (ET00-0001-01)	02JAN01	M.S.	O.C.
		A2	RELEASED FOR PROD. AND ERASED -3 (ET00-0217-01)	04OCT2001	M.S.	O.C.
		A3	REVISED PER ECR-11-013710	06JUL2011	M.G.	M.G.

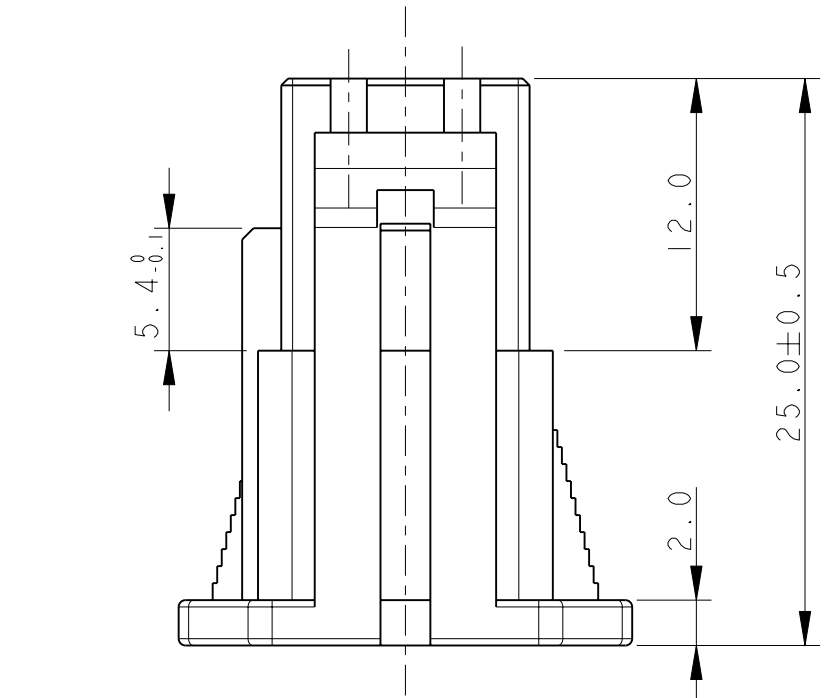


P/N 284677-1 AS SHOWN



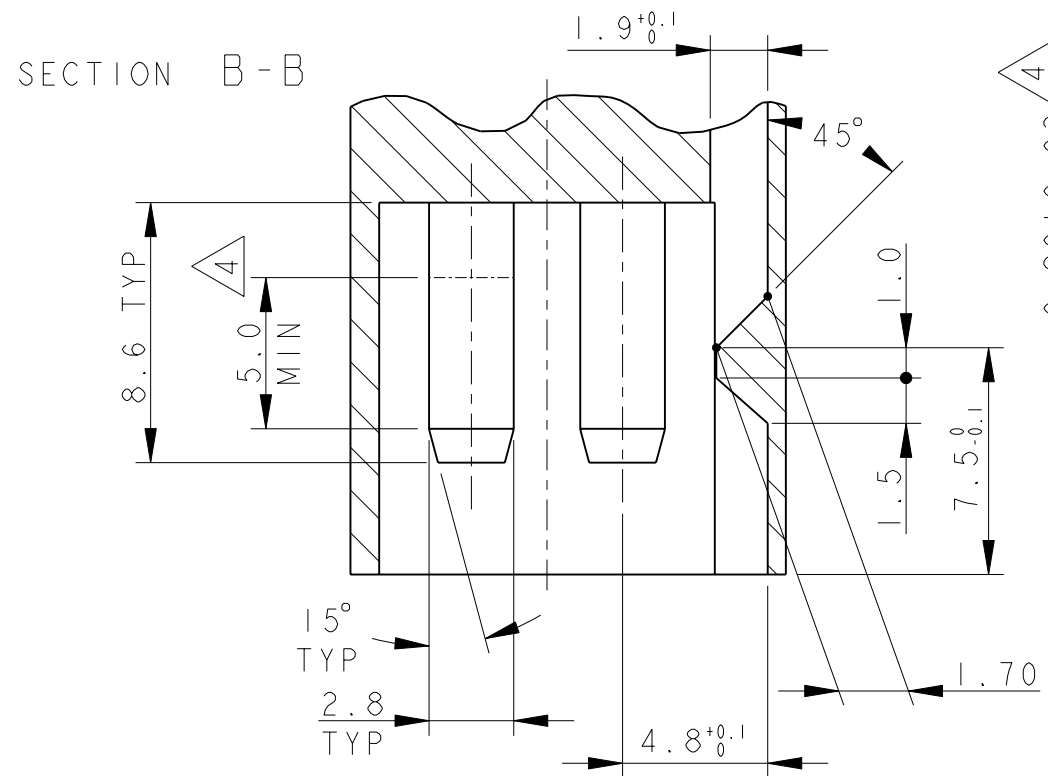
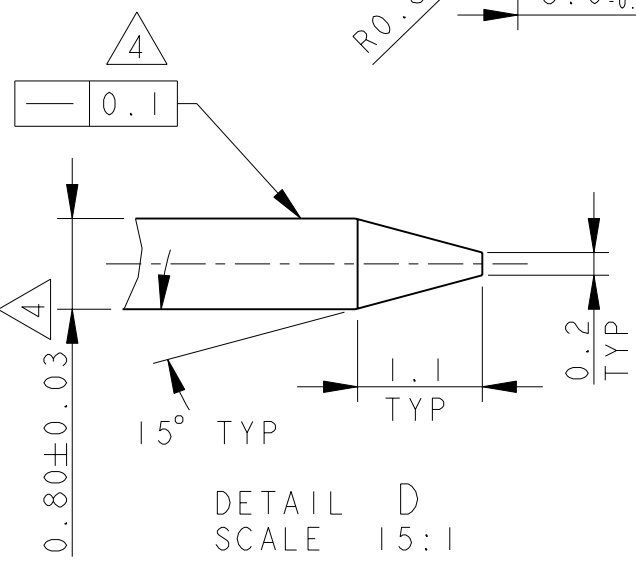
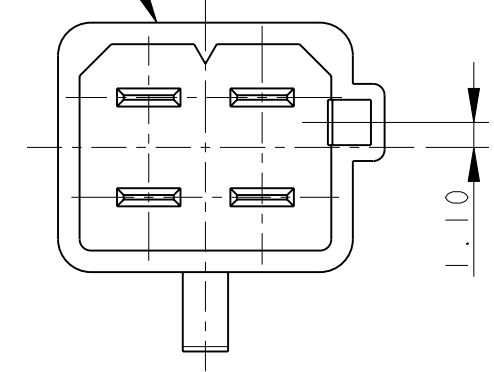
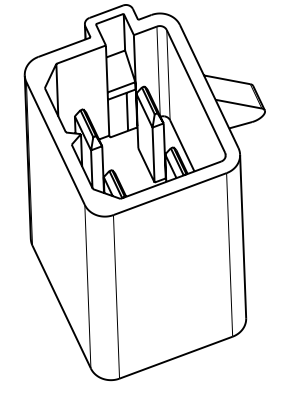
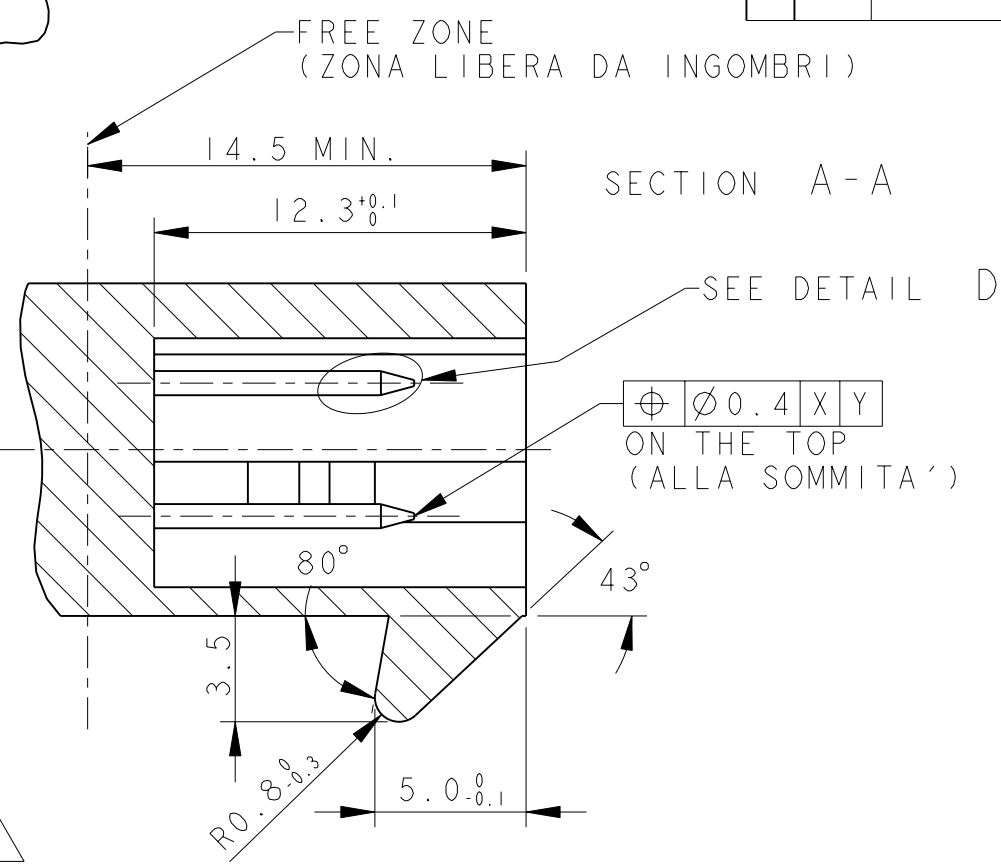
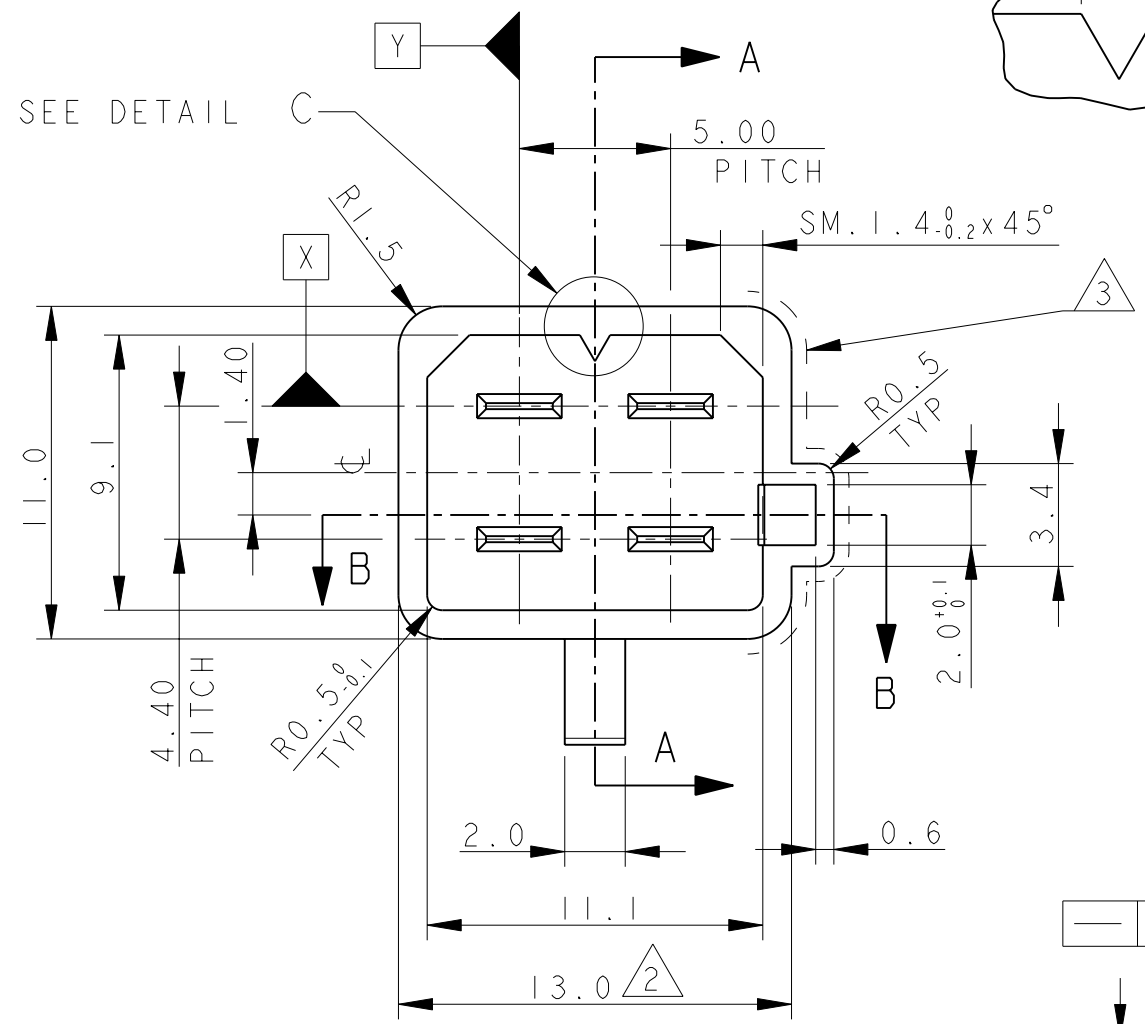
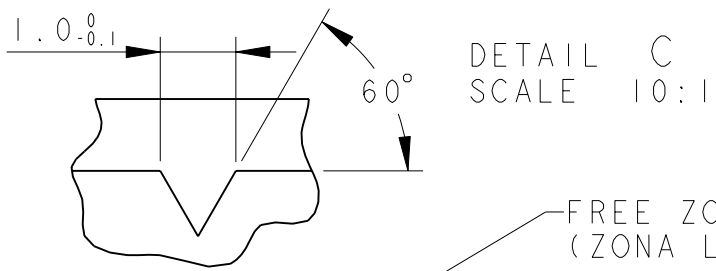
- 1 MATERIAL: PA66 GF COLOR NATURAL FOR 284677-1, BLACK FOR 284677-2
- 2 CAVITIES SUITABLE FOR JUNIOR-POWER-TIMER CONTACTS
 P/N 964280-2 (0.35mm²), P/N 964284-2 (0.5+1.0mm²) AND
 P/N 965999-2 (1.5+2.5mm²)

3) SUITABLE COUNTERPARTS: SEE SHEET 2 OF 2 (OR P/N 96-51113-1/-2)



THIS DRAWING IS A CONTROLLED DOCUMENT.		DWN	M. SARDI	04OCT2000	TE Connectivity
DIMENSIONS: mm		CHK	O. CANUTO	04OCT2000	
TOLERANCES UNLESS OTHERWISE SPECIFIED:		APVD	-	-	NAME
0 PLC ±0.3 1 PLC ±0.1 2 PLC ±0.1 3 PLC ±0.1 4 PLC ±0.1 ANGLES ±2°		PRODUCT SPEC	108-20225		4W HSG FOR JPT CTC W. LOCKING DEVICE
MATERIAL		APPLICATION SPEC	-		
FINISH		WEIGHT	-		SIZE
-		CUSTOMER DRAWING		A3	CAGE CODE
-		SCALE 2:1		SHEET 1 OF 2	DRAWING NO
-		REV A3		RESTRICTED TO	

LOC	DIST	P	LTR REV	DESCRIPTION DESCRIZIONE	DATE DATA	DWN DIS.	APVD APP.
1	-	-	-	SEE SHEET 1	-	-	-



- 1 MATERIALS:
 • HOUSING: PA66 GF FILLED
 • TABS: TINNED BRASS (TIN THICKNESS 3±10µm)
- 2 INDICATIVE SUGGESTED DIMENSIONS
- 3 THIS PART MUST BE FREE TO BEND
- 4 DIMENSIONS TO RESPECT ALONG THE 5.0 MIN AREA
- 5) COUNTERPART SUITABLE FOR CONN. P/NS 284677-1 & 626056-2
- 6) COUNTERPART SUITABLE FOR CONN. P/NS 284677-2 & 626056-3

THIS DRAWING IS A CONTROLLED DOCUMENT. <small>QUESTO DISEGNO E' UN DOCUMENTO DI PROPRIETA' E RESPONSABILITA' DELL'AMP INCORPORATED. E' SOGGETTO A VARIAZIONI. PER OTTENERE L'ULTIMA REVISIONE DEL DISEGNO CONTATTARE L'UFFICIO TECNICO RESPONSABILE.</small>		DWN/DIS. 040CT2000 M. SARDI	STE TE Connectivity	
DIMENSIONS: DIMENSIONI: mm		CHK/CONT. 040CT2000 O. CANUTO		
TOLERANCES UNLESS OTHERWISE SPECIFIED: TOLLERANZE: SE NON DIVERSAMENTE SPECIFICATO 0 PLC/DEC ±0.3 1 PLC/DEC ±0.1 2 PLC/DEC ±0.05 3 PLC/DEC ± 4 PLC/DEC ±- ANGLES/ANGOLI ±2°		APVD/APP.	NAME NOME	
MATERIAL MATERIALE		PRODUCT SPEC SPEC DI PRODOTTO	4W HSG FOR JPT CTC W. LOCKING DEVICE	
FINISH FINITURA		APPLICATION SPEC SPEC DI APPLICAZIONE	SIZE A3	CAGE CODE 300779
1		WEIGHT PESO -	DRAWING NO. NUMERO C-284677	RESTRICTED TO -
CUSTOMER DRAWING		DISEGNO PER CLIENTE SOLO PER RIFERIMENTO		SCALE 4:1
				SHEET FOGLIO 2 OF DI 2
				REV A3